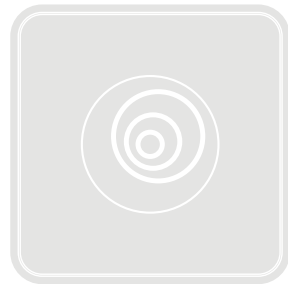


# ETPB

0682 C €



## Transponder reader

**EN** - Instructions and warnings for installation and use

**IT** - Istruzioni ed avvertenze per l'installazione e l'uso

**FR** - Instructions et avertissements pour l'installation et l'utilisation

**ES** - Instrucciones y advertencias de instalación y uso

**DE** - Installierungs- und Gebrauchsanleitungen und Hinweise

**PL** - Instrukcje i ostrzeżenia dotyczące instalacji i użytkowania urządzeń

**NL** - Aanwijzingen en aanbevelingen voor installatie en gebruik

**Nice**



## 1 - GENERAL WARNINGS AND PRECAUTIONS

**CAUTION!** ● **Important safety instructions:** ● **These instructions are safety-critical; therefore, read the manual carefully before beginning work.** ● **Keep these instructions.** ● Before commencing the installation, check whether the product is suitable for the desired use (see “Product application limits” and “Product technical specifications”). If it is not suitable, DO NOT continue with the installation. ● Handle the product with care during installation, taking care to avoid crushing, denting or dropping it, or contact with liquids of any kind. Keep the product away from sources of heat and naked flames. Failure to observe the above can damage the product, and increase the risk of danger or malfunction. Should this occur, suspend installation work immediately and contact the Nice Support Service. ● Do not modify any part of the product. Operations other than as specified can only cause malfunctions. The manufacturer declines all liability for damage caused by makeshift modifications to the product. ● The product is not intended for use by persons (including children) with reduced physical, sensory or mental capacities, nor by anyone with insufficient experience or familiarity. ● The product is not intended as an intruder protection system. If you wish to have more effective protection, combine the automation mechanism with other security devices.

## 2 - PRODUCT DESCRIPTION AND INTENDED USE

**ETPB** is a **transponder card reader** in the **ERA** range. It is used to control automations for doors, gates, garage doors, sectional doors and other similar equipment.

It allows you to control and give access to locations and services to authorised persons who have a valid card. The device only works with Nice products equipped with the “BlueBus” technology supporting the control devices. **CAUTION! – All uses other than the intended use, or use in conditions other than those described in this manual should be considered improper and forbidden!** ● The device communicates with the control unit and the other devices present through the “BlueBus” system. This system is based on “parallel” connections without any polarity, effected with 2 conductors carrying the electric power and communication signals. It is possible to connect up to 4 of the following devices to one “BlueBus” control unit: ETPB (transponder card reader), EDSB, EDSIB (combination digital keypads). Each of these devices must have a different address from other devices (created with a jumper – see **Table 1**), so that the control unit is able to recognise each specific device during the “recognition of connected devices procedure”. To ensure safety against fraudulent attempts to replace a device, during the learning procedure, the control unit creates a further encoded link with another device so that it is linked to itself. Further information on the “BlueBus” system can be found in the instruction manual of the control unit. ● ETPB allows you to send a command to the automation only if the user has a card that has been memorised in the reader and is valid for that command. The command is sent when the card is brought close to the reader. The installed memory card (mod. BM1000) can memorise up to 255 cards. Card-command combinations are memorised during the programming operations described in this manual. Alternatively, the memory card can be removed and programmed directly in a Nice programming unit (O-BOX or MOU).

## 3 - PRODUCT APPLICATION LIMITS

● The product can only be connected to a Nice S.p.A. control unit, equipped with “BlueBus” technology that supports the control devices. ● It is possible to connect up to 4 of the following devices to one “BlueBus” control unit: ETPB (transponder card reader), EDSB, EDSIB (combination digital keypads). ● Before installing, read the “Product technical characteristics” chapter to verify whether the conditions in which the product must be used fall within the threshold values defined by the manufacturer.

## 4 - INSTALLATION AND HOOK UP


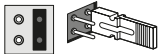
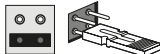
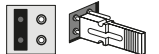
### 4.1 - Installation warnings

● ETPB must be secured to a vertical wall. ● ETPB must be installed in areas that are suitable for its overall size; the area must ensure ease of access for use and maintenance of the product. ● ETPB must be installed in a location that is protected against the risk of accidental impact. ● Install ETPB at a height of 1.5 m from the ground, to facilitate reading of the card. ● ETPB must be installed on a solid surface, to which it can be stably secured.

### 4.2 - Installation steps

● 01. Read the instructions manual of the control unit for the characteristics of the electrical cables to be used. ● 02. Read the warnings at the start of chapter 4 for the positions for securing the devices. ● 03. Prepare the protection sheaths for the electrical cables. ● 04. Secure each device as indicated in **figures 1, 2, 3, 4, 5**. ● 05. **CAUTION! – Before you proceed to make any electrical connections make sure that the power supply is disconnected.** Insert the electrical cables into the protection sheaths and connect the devices in a “parallel” layout (**fig. 6**): it is not necessary to observe polarity. ● 06. If there are several devices in the installation (up to 4 devices, including EDSB / EDSIB combination digital keypads, where present) the position of the jumper in each of these should be changed (**fig. 7**), choosing an address from **Table 1**. **Caution!** – Each device must have a different address from the other

**TABLE 1** - Addressing installed devices

Address - 1	Address - 2	Address - 3	Address - 4
			

devices. ● 07. Power the control unit: the LED “L2” (**Fig. 7**) flashes to signal the type and status of the BM memory installed in the device (see **Table 2** for explanations on the flashes), followed by 5 slow flashes, if the memory is empty. ● 08. Consult the control unit’s instructions manual to find the procedure for the “recognition of the devices connected to the control unit” then run the procedure (this will enable the control unit to individually recognise each “BlueBus” device connected). ● 09. Run the **Programming** procedure for the device, consulting chapters 5, 6, 7, 8. ● 10. After

**TABLE 2** - Signals from LED “L2” concerning the BM memory

Led “L2” signals	Meaning
1 flash (*)	BM60
2 flashes (*)	BM250
3 flashes (*)	BM1000
4 flashes (*)	Indicates that invalid cards have been memorised
5 flashes (*)	Error when reading the memory
(*) – If these flashes are followed by <b>5 (slow) flashes</b> , the memory is empty.	

**TABLE 3** - Acoustic signals from the reader during programming

Acoustic signal	Meaning
1 signal	Indicates that a <u>valid card</u> has been passed in front of the reader.
2 consecutive signals + 1 signal	Indicates that an <u>invalid card</u> has been passed in front of the reader.
3 signals	Indicates the successful completion of programming.
5 signals	Error during a programming operation.
Series of signals	Indicates an error and failure of programming procedure.

programming, read chapter 9 for use of the device; then run the **Testing** procedure shown in chapter 10, to ensure the installed devices are functioning correctly. ● 11. Lastly, complete the installation as shown in **Figures 8, 9**.

## 5 - IMPORTANT PROGRAMMING WARNINGS

### 5.1 - Two programming modes: “Easy” and “Professional”

- ETPB can be programmed using two different and complementary modes:
  - **“EASY” programming mode:** a simple programming mode involving the basic procedures only (see chapter 6) for memorising and deleting cards.
  - **“PROFESSIONAL” programming mode:** a more complex programming mode, with several functions, some of which are specific and suited to professional applications. Procedures in this mode (see chapter 7) include memorising up to 255 cards (the number may vary according to the memory card installed). • Programming in “Professional” mode requires the use of one or two “MASTER” cards. **CAUTION! – “MASTER” cards must be the first cards to be memorised in the reader.**
- The differences between the “Easy” and “Professional” programming modes are found in the programming phase itself and in the resulting performance. In terms the user, the differences are minimal.
- **“Easy” and “Professional” programming modes are mutually exclusive:** i.e. the choice of which mode to be used must be made when programming the first card. If the programming mode has already been chosen (= memory used by at least one program) and the operator wishes to change mode (from “Easy” to “Professional” or vice versa), the ETPB memory must first be deleted.
- During programming, the device emits acoustic signals indicating that it is functioning correctly or that there is an error. See **Table 3** for information on these acoustic signals.

### 5.2 - Relationship between available commands and card modes

- The ETPB reader can send two different commands to the control unit. In this manual these are referred to generically as: **command no. 1** and **command no. 2**. Each of these is assigned a **manoeuvre command** at the factory. The combinations are as follows:
  - **command no. 1** is assigned the **“Step-by-Step”** manoeuvre command;
  - **command no. 2** is assigned the **“Partial Open”** manoeuvre command;
- NB** – The manoeuvre commands assigned at the factory can be changed at any time, as required (see **Table 4** in chapter 8), using the procedures in paragraph 8.3.
- **A card can be memorised using the following commands:**
  - A – with command no. 1;**
  - B – with command no. 2;**
  - C – with both commands (no.1 and no. 2).**



## Chapter 6

### PROGRAMMING CARDS IN “EASY” MODE

#### PROCEDURES

##### 6.1 Easy



**Program a card that is valid for command no. 1 only, or valid for command no. 2 only, or valid for both commands (no. 1 and no. 2)**

**PLEASE NOTE** – Programming cannot be repeated once finished. To program more cards, use the procedure in paragraph 8.1.

01. Press the “T” key (**fig. 7**): the reader emits acoustic tones every 30 seconds...
02. ...choose the command from the options provided and run the action indicated:
  - to program **command no. 1** = pass the new card **once** in front of the reader.
  - to program **command no. 2** = pass the new card **twice** in front of the reader.
  - to program **both command no. 1 and no. 2** = pass the new card **3 times** in front of the reader.
03. After the first card, other cards can be programmed by repeating point 02 for each one within 10 seconds of passing the last card. **Note** – Any of the three options can be chosen for each new card.
04. To terminate the procedure, wait more than 10 seconds after passing the last card.

**PLEASE NOTE** – Additional functions in “Easy” mode are described in Chapter 8.



## Chapter 7

### PROGRAMMING CARDS IN “PROFESSIONAL” MODE

- In “Professional” mode, cards can be programmed for each user (or group of users). This makes it easier to add or remove cards according to need.
  - These procedures allow you to program the required number of cards (up to 255, depending on the BM memory installed), to delete some, to count them, to erase the entire memory and use other specific functions.
  - Execution of procedures in “Professional” mode involves the use of one or two “MASTER” cards. A “MASTER” card is a normal card that must be programmed at the start of the “Professional” programming procedure, when the BM memory is still empty. The following “MASTER” cards can be created:
    - “**MASTER-1**” “**MASTER-2**”: these are alternatives to the “SINGLE MASTER” card. “MASTER-1” is used to store command no. 1; “MASTER-2” is used to store command no. 2.
    - the “**SINGLE MASTER**” card is an alternative to “MASTER-1” and “MASTER-2”. It stores on a single card command no. 1, command no. 2 or both commands (no. 1 and no. 2).
- PLEASE NOTE** – “MASTER-1” AND “MASTER-2” are used to create two separate groups of cards (cards in a group can activate only one of the two available commands). **Alternatively**, if two sets of cards are not needed, a single card can be programmed, called the “SINGLE MASTER”, which performs the tasks of both “MASTER-1” and “MASTER-2” and also allows the creation of cards to enable both commands.
- A “MASTER” card can only be used to program other cards, to erase all programming and to lock or unlock an automation. Thus, it cannot control an automation in the same way as a normal card. **CAUTION!** – **Do not lose the “MASTER” cards created.**

## — Programming “MASTER” cards —

Programming the “MASTER” cards is the first operation to be carried out and should be done when the reader’s memory is still empty. In practice “MASTER” cards are the first card which must be placed up to the reader for at least 5 seconds. **CAUTION! – To program “MASTER” cards, use only one of the available procedures (7.1 or 7.2).**



### 7.1 Professional

**Program MASTER-1** (memorises cards that enable command no. 1) and **MASTER-2** (memorises cards that enable command 2)

**CAUTION!** – This procedure is an alternative the one described in paragraph 7.2. May only be carried out if the reader memory is empty.

01. Make sure the reader’s memory is empty.
02. Hold a new **card (this will be “MASTER-1”)** in front of the reader for at least 5 seconds. After 5 seconds have elapsed, the reader emits 3 consecutive acoustic signals and 1 single signal.
03. After the signals, remove the card from the reader.
04. Place another **new card (this will be “MASTER-2”)** in front of the reader and hold it there for at least 5 seconds. After 5 seconds have elapsed, the reader emits 3 consecutive acoustic signals and 1 single signal.
05. After the signals, remove the card from the reader.



### 7.2 Professional

**Program the SINGLE MASTER** card (memorises cards which enable commands no. 1 and no. 2 individually or both together)

**CAUTION!** – This procedure is an alternative the one described in paragraph 7.1. May only be carried out if the reader memory is empty.

01. Make sure the reader’s memory is empty.
02. Hold a **new card** in front of the reader for at least 5 seconds. After 5 seconds have elapsed, the reader emits 3 consecutive acoustic signals and 1 single signal.
03. After the signals, remove the card from the reader.
04. Hold the **same card** in front of the reader and keep it there for at least 5 seconds. After 5 seconds have elapsed, the reader emits 3 consecutive acoustic signals and 1 single signal.
05. After the signals, remove the card from the reader.



## — Programming normal cards —



### 7.3 Professional

**Program (with MASTER-1) the cards that enable command no. 1**

01. Pass **MASTER-1** in front of the reader once.
02. Pass the **new card** in front of the reader once. **Note** – After the first card, other cards can be programmed by repeating point 02 for each one within 10 seconds of passing the last card.
03. To terminate the procedure, pass **MASTER-1** once in front of the reader or wait more than 10 seconds after passing the last card.

Additional cards can be memorised at any time by repeating this procedure from the beginning.



### 7.4 Professional

**Program (with MASTER-2) the cards that enable command no. 2**

01. Pass **MASTER-2** in front of the reader once.
02. Pass the **new card** in front of the reader once. **Note** – After the first card, other cards can be programmed by repeating point 02 for each one within 10 seconds

of passing the last card.

- 03.** To terminate the procedure, pass **MASTER-2** once in front of the reader or wait more than 10 seconds after passing the last card.

Additional cards can be memorised at any time by repeating this procedure from the beginning.



## 7.5 Professional

### Program (with the SINGLE MASTER) the cards that enable command no. 1

- 01.** Pass the **SINGLE MASTER** in front of the reader once.  
**02.** Pass the **new card** in front of the reader once. **Note** – After the first card, other cards can be programmed by repeating point 02 for each one within 10 seconds of passing the last card.  
**03.** To terminate the procedure, pass the **SINGLE MASTER** once in front of the reader or wait more than 10 seconds after passing the last card.

Additional cards can be memorised at any time by repeating this procedure from the beginning.



## 7.6 Professional

### Program (with the SINGLE MASTER) the cards that enable command no. 2

- 01.** Pass the **SINGLE MASTER** in front of the reader once.  
**02.** Pass the **new card** in front of the reader twice. **Note** – After the first card, other cards can be programmed by repeating point 02 for each one within 10 seconds of passing the last card.  
**03.** To terminate the procedure, pass the **SINGLE MASTER** once in front of the reader or wait more than 10 seconds after passing the last card.

Additional cards can be memorised at any time by repeating this procedure from the beginning.



## 7.7 Professional

### Program (with the SINGLE MASTER) the cards that enable commands no. 1 and no. 2

- 01.** Pass the **SINGLE MASTER** in front of the reader once.  
**02.** Pass the **new card** in front of the reader three times. **Note** – After the first card, other cards can be programmed by repeating point 02 for each one within 10 seconds of passing the last card.  
**03.** To terminate the procedure, pass the **SINGLE MASTER** once in front of the reader or wait more than 10 seconds after passing the last card.

Additional cards can be memorised at any time by repeating this procedure from the beginning.



## 7.8 Professional

### Erase (using a MASTER...) one or more memorised cards

- 01.** Pass the MASTER (\*) in front of the reader twice.  
**02.** Pass the **card to be erased** in front of the reader once. **Note** – After the first card, other cards can be erased by repeating point 02 for each one within 10 seconds of passing the last card.  
**03.** To terminate the procedure, pass the **MASTER** (the same one used in step 01) once in front of the reader or wait more than 10 seconds after passing the last card.

(\*) – Use MASTER-1, MASTER-2 or the SINGLE MASTER, according to the group to which the card belongs.

Additional cards can be erased at any time by repeating this procedure from the beginning.





## 7.9 Professional

### Count (using a MASTER...) memorised cards

This procedure enables you to count the number of cards memorised with command no. 1, or command no. 2, or both commands.

**01.** Pass the **MASTER(\*)** in front of the reader three times. This sets of a series of acoustic signals with the following meanings:

- **3 tones = 1 hundred** (e.g.: 1 series of 3 tones corresponds to 100 cards).
- **2 tones = 1 ten** (e.g.: 3 series of 2 tones corresponds to 30 cards).
- **1 tone = 1 unit** (e.g.: 4 series of 1 tones corresponds to 4 cards).
- **10 series of tones = zero.**

(\*) – Use MASTER-1 or MASTER-2 according to the group (command no. 1 or command no. 2) to which the cards to be counted belong. To count all memorised cards (regardless of which commands they activate) use the SINGLE-MASTER card.



## 7.10 Professional

### Limit (using a MASTER...) the use of a card to a restricted number of times

Each card has an associated counter which is updated automatically every time the card is used. When the counter reaches zero the card is disabled. The number of times set by the factory is unlimited. This procedure allows you to set a limit to the number of times a card can be used. The maximum number that can be associated with a card is 999. Any higher values will enable unlimited use.

- 01.** Pass the **MASTER(\*)** in front of the reader four times. After 2 seconds the reader issues 3 acoustic signals and enables hundreds.
- 02.** Next, pass the required card in front of the reader the number of times corresponding to **hundreds** of units to be programmed (10 times = unlimited use).
- 03.** After 2 seconds the reader issues 2 acoustic signals and enables tens.
- 04.** Next, pass the required card in front of the reader the number of times corre-

sponding to **tens** of units to be programmed.

- 05.** After 2 seconds the reader issues 1 acoustic signal and enables units.
- 06.** Next, pass the required card in front of the reader the number of times corresponding to the **units** to be programmed.

(\*) – Use MASTER-1 or MASTER-2 or the SINGLE MASTER according to the group (command no. 1 and/or command no. 2) to which the cards with limited use belong.



## 7.11 Professional

### Block automation using any MASTER card

- 01.** Pass any **MASTER** in front of the reader seven times.
- 02.** Hold the same **MASTER** used in step 01 in front of the reader and wait for the reader to emit 1 acoustic signal.
- 03.** After the signal, remove the card from the reader. **Note** – If the procedure has been carried out correctly, the reader emits 3 acoustic signals.



## 7.12 Professional

### Unblock automation using any MASTER card

- 01.** Pass any **MASTER** in front of the reader seven times.
- 02.** Hold the same **MASTER** used in step 01 in front of the reader and wait for the reader to emit 2 acoustic signals.
- 03.** After the signal, remove the card from the reader. **Note** – If the procedure has been carried out correctly, the reader emits 3 acoustic signals.



## 7.13 Professional

### Erase the entire memory using any MASTER card

This procedure deletes all data in the reader's BM memory, including the "MASTER" cards programmed at the start.

- 01.** Pass any **MASTER** in front of the reader five times.

02. Wait for the reader to emit 3 acoustic signals.
03. At the end of the third acoustic signal, immediately hold up the same **MASTER** used in step 01 and keep it in front of the reader.
04. Wait for the reader to emit 5 acoustic signals.
05. At the end of the fifth acoustic, remove the **MASTER** immediately from the reader: the device emits 3 acoustic signals and then , flashes slowly 5 times to signal that the memory is empty.
06. Lastly, rerun the procedure for the "recognition of the devices connected to the control unit", by consulting the control unit manual.

At the end of this procedure, the device will have to be re-programmed. **Note** – at the start of a new programming operation, the user can once again choose which mode to use ("Easy" o "Professional").

.....

**PLEASE NOTE – Additional functions in "Professional" mode are described in Chapter 8.**

## 8 - FURTHER DETAILS – PROCEDURES COMMON TO BOTH "EASY" AND "PROFESSIONAL" PROGRAMMING MODES

### 8.1 - Memorise a new card using another previously programmed card

This procedure requires a previously programmed card, whose commands (commands no. 1 and/or no. 2) will be used by the new card.

01. Hold the new card in front of the reader and keep it there for at least 5 seconds. Remove the card.
02. Pass a previously programmed card in front of the reader 3 times.

03. Pass the new card in front of the reader once. Repeat this operation to memorise another card.

### 8.2 - Erase the entire memory

This procedure deletes all data in the reader's BM memory, including any previously programmed "MASTER" cards.

01. Press and hold the "**T**" key (**fig. 7**) on the reader. LED "**L1**" stays lit for 3 seconds, then flashes 3 times and...
02. ...release the button exactly during the third flash. After a few moments, LED "**L1**" flashes a few times and, after a few seconds, if the operation has been carried out successfully, the reader emits 3 acoustic signals and 5 slow flashes to confirm that the memory is empty.
03. Lastly, rerun the procedure for the "recognition of the devices connected to the control unit", by consulting the control unit manual.

At the end of this procedure, the device will have to be re-programmed. **Note** – at the start of a new programming operation, the user can once again choose which mode to use ("Easy" o "Professional").

### 8.3 - Change the manoeuvre command assigned to a card (using procedures 8.3.1, 8.3.2, 8.3.3)

This function enables you to change the manoeuvre command assigned by the factory to a card (read paragraph 5.2) and choose the new command from the "Manoeuvre command" column in **Table 4**. **Caution!** – Some commands might be different from those run by the control unit to which the reader is connected (see the instructions manual for the control unit).

#### 8.3.1 - Procedure to change manoeuvre commands no. 1 or no. 2, with a card programmed to enable **A SINGLE COMMAND**

01. Pass the **card whose manoeuvre command you wish to change** in front of

the reader. The reader emits an acoustic signal and immediately enables the manoeuvre. At the same time LED “L1” (fig. 7) flashes, then pauses to signal the type of manoeuvre in progress.

02. Choose the new required manoeuvre from **Table 4** and make a note of the “L1” LED flash signals associated with the manoeuvre.
03. Press the “T” key (once or twice) to display the list of available commands, until you have set the manoeuvre command chosen in point 02 (every time the key is pressed, LED “L1” flashes once more than for the previous time).
04. Pass the card used in point 01 in front of the reader: the reader emits an acoustic signal and immediately enables the new manoeuvre; at the same time, LED “L1” flashes then pauses to signal that the new manoeuvre has been set.

### 8.3.2 - Procedure to change manoeuvre command no. 1, with a card programmed to enable BOTH COMMANDS

01. Hold the **card whose manoeuvre command you wish to change** in front of the reader. The reader emits an acoustic signal and, after 1 second, emits another enabling the manoeuvre. At the same time LED “L1” (fig. 7) flashes, then pauses to signal the type of manoeuvre in progress.
02. Choose the new required manoeuvre from **Table 4** and make a note of the “L1” LED flash signals associated with the manoeuvre.
03. Press the “T” key (once or twice) to display the list of available commands, until you have set the manoeuvre command chosen in point 02 (every time the key is pressed, LED “L1” flashes once more than for the previous time).
04. Hold the card used in point 01 in front of the reader. The reader emits an acoustic signal and after 1 second, emits another, immediately enabling the new manoeuvre. LED “L1” flashes, then pauses to signal that the new manoeuvre has been set.

### 8.3.3 - Procedure to change manoeuvre command no. 2, with a card programmed to enable BOTH COMMANDS

01. a) - Pass the card in front of the reader (**the card whose manoeuvre command**

**is to be changed**): when you hear an acoustic signal, remove the card immediately from the reader; then...

- b) - **(within 2 seconds) re-pass** the card in front of the reader. The reader emits an acoustic signal and immediately enables the manoeuvre. At the same time LED “L1” (fig. 7) flashes, then pauses to signal the type of manoeuvre executed.
02. Choose the new required manoeuvre from **Table 4** and make a note of the “L1” LED flash signals associated with the manoeuvre.
03. Press the “T” key (once or twice) to display the list of available commands, until you have set the manoeuvre command chosen in point 02 (every time the key is pressed, LED “L1” flashes once more than for the previous time).
04. a) - Pass the card used in point 01 in front of the reader: when you hear an acoustic signal, remove the card immediately from the reader; then...
  - b) - (within 2 seconds) re-pass the card in front of the reader. The reader emits an acoustic signal and immediately enables the manoeuvre. At the same time LED “L1” (fig. 7) flashes, then pauses to signal the type of manoeuvre set.

**TABLE 4** - Manoeuvre command associated with command no. 1 or command no. 2 of a card

Led “L1” signal	Manoeuvre command
1 flash + pause	STEP-BY-STEP (associated with <u>command no. 1</u> ) by factory
2 flashes + pause	OPEN
3 flashes + pause	CLOSE
4 flashes + pause	PARTIAL OPEN (associated with <u>command no. 2</u> ) by factory
5 flashes + pause	STOP
6 flashes + pause	COURTESY LIGHT

## 9 - USE OF CARDS AFTER MEMORISATION – GUIDE FOR THE INSTALLER AND THE END USER

- USE of the ETPB reader is based on recognition of the code that is unique to each card and is memorised in the reader. When a card is held up to the reader, it transmits its identifying code. If the code is in the ETPB memory, the reader transmits command no. 1 or command no. 2 to the control unit (i.e. the command given to that card during programming). If the card is not memorised, the ETPB reader emits an acoustic error signal.
- **To control the automation, the user should be in possession of one or more memorised cards and should receive the following information from the installer in order to be able to use the card correctly:**
  - **COMMAND NUMBER:** this is the command that the reader sends to the automation when the card is passed in front of the reader: **command no. 1**, or **command no. 2**, or **both commands** (no. 1 and no. 2).
  - **TYPE OF MANOEUVRE:** the manoeuvre (e.g.: **partial open or other...**) associated with the command (no. 1 or no. 2).
  - **CARD USE PROCEDURE:** this is the method to be used when passing the card in front of the reader. The use procedures vary depending on the number of commands a card can transmit to the automation through the reader.

### ● How to use a card that can enable a SINGLE command

#### ● **To send command no. 1**

Pass the card in front of the reader: the reader emits an acoustic signal and immediately enables the manoeuvre.

#### ● **To send command no. 2**

Pass the card in front of the reader: the reader emits an acoustic signal and immediately enables the manoeuvre.

### ● How to use a card that can enable TWO commands

#### ● **To send command no. 1**

Hold the card used in front of the reader. The reader emits an acoustic signal and after 1 second, emits another, immediately enabling the manoeuvre.

#### ● **To send command no. 2**

1) - Pass the card in front of the reader: when you hear an acoustic signal, remove the card immediately from the reader; then...

2) - (within 2 seconds) re-pass the card in front of the reader: the reader emits an acoustic signal and immediately enables the manoeuvre.

- If LED “L2” flashes, read **Table 5** for the meaning of these signals.

**TABLE 5** - Signals from LED “L2” concerning the “BlueBus” system

Led “L2” signal	Meaning
<b>Steady on</b>	Reader synchronised with “BlueBus” system.
<b>3 flashes + 1 pause</b>	Reader NOT synchronised with “BlueBus” system.
<b>2 flashes + 1 pause</b>	Reader not addressed (no jumper).

## 10 - TESTING

After programming, it is important to check that the reader and memorised cards function correctly as follows:

- a) - Verify that the instructions specified in Chapter 1 - "General warnings and precautions" have been observed.
- b) - Read chapter 9 for instructions on correct use of the cards and the reader.
- c) - Pass a valid card (memorised by the reader) in front of the reader and observe whether the automation runs the command. If the command is not run, read chapter 11 - "Troubleshooting".
- d) - Continue checking as described in the previous point, using other card memorised in the reader.

## 11 - BASIC TROUBLESHOOTING (Troubleshooting)

- 
- **If LED "L2" flashes (see Table 5):** ensure that the jumper is properly positioned; if necessary, sync the reader to the "BlueBus" system, rerunning the "recognition of the devices connected to the control unit", procedure in the manual of the control unit.
- 
- **(if several readers are connected to the same control unit). If the command is not executed after passing a valid card in front of the reader and LED "L2" starts to flash:** check the address of every connected "BlueBus" device (read point 06 of paragraph 4.2).
- 
- **If after passing a valid card in front of a reader no acoustic signal is emitted:** check that the BM memory is inserted properly.
- 
- **If after passing a valid card in front of a reader LED "L1" flashes to signal that the reader has activated the command, but the automation has not run the manoeuvre:** rerun the "recognition of the devices connected to the control unit" procedure (read point 08 of paragraph 4.2); or check that the automation is not blocked and unblock if necessary using procedure 7.13.
- 
- **If the keypad does not switch on:** use an appropriate instrument to verify whether the "BlueBus" network is powered (VDC).
-

## 12 - MAINTENANCE OF THE PRODUCT

The product does not require special maintenance operations. It is recommended to clean external surfaces using a soft damp cloth. Do not use aggressive or abrasive substances such as detergents or solvents.

## 13 - SCRAPPING THE PRODUCT

This product constitutes an integral part of the automation system, therefore it must be disposed of along with it. • As when installing the product, when the product reaches the end of its service life, it must be scrapped by a qualified technician. • This product is made up of different types of material, some of which can be recycled while others must be disposed of. Seek information on the recycling and disposal systems envisaged by the local regulations in your area for this product category. **Caution!** – some parts of the product may contain pollutant or hazardous substances which, if disposed of into the environment, may cause serious damage to the environment or physical health. • As indicated by this symbol, the product may not be disposed of as domestic waste. Separate the waste into categories for disposal, according to the methods envisaged by current legislation in your area, or return the product to the retailer when purchasing a new version. **Caution!** – Local legislation may envisage serious fines in the event of abusive disposal of this product. • Packaging materials must be disposed off in accordance with local regulations.



## TECHNICAL FEATURES

**WARNINGS:** • All technical specifications stated in this section refer to an ambient temperature of 20°C (± 5°C). • Nice S.p.a. reserves the right to modify its products at any time deemed necessary, while maintaining the same intended use and functionality.

- **Type:** access control system by card (use models available in Nice product catalogue), passive transponder, 125 kHz, 32 bit read only.
- **Technology used:** “BlueBus”.
- **Lighting:** Red LED, front of reader.
- **Length of connection cable:** see instructions manual of control unit for connections from a “BlueBus” device to the control unit.
- **Power:** the reader is operated from the control unit via the “Bluebus” system.
- **Absorbed current:** 2 “BlueBus” units.
- **Read distance:** with card in front of reader, maximum distance of 4 cm.
- **Memory capacity:** 1 BM1000 card contains up to a maximum of 255 codes (cards). Other cards with different memory capacities can be installed.
- **Insulation:** class III
- **Housing protection rating:** IP 54
- **Operating temperature:** -20 °C to +55 °C
- **Use in acid, saline or potentially explosive atmosphere:** No
- **Installation:** vertical wall.
- **Dimensions (mm):** 70 x 70 x h 26
- **Weight:** 265 g

## 1 - AVVERTENZE E PRECAUZIONI GENERALI

**ATTENZIONE!** ● Istruzioni importanti per la sicurezza. ● Per la sicurezza delle persone è importante rispettare queste istruzioni; quindi leggere attentamente il manuale prima di iniziare il lavoro. ● Conservare queste istruzioni. ●

Prima di iniziare l'installazione verificare se il prodotto è adatto al tipo di utilizzo desiderato (leggere i "Limiti d'impiego" e le "Caratteristiche tecniche" del prodotto). Se non è adatto, NON procedere alla sua installazione. ● Durante l'installazione maneggiare con cura il prodotto evitando schiacciamenti, urti, cadute o contatto con liquidi di qualsiasi natura. Non mettere il prodotto vicino a fonti di calore, né esporlo a fiamme libere. Tutte queste azioni potrebbero danneggiarlo ed essere causa di malfunzionamenti o situazioni di pericolo. Se questo accade, sospendere immediatamente l'installazione e rivolgersi al Servizio Assistenza Nice. ● Non eseguire modifiche su nessuna parte del prodotto. Operazioni non permesse possono causare solo malfunzionamenti. Il costruttore declina ogni responsabilità per danni derivanti da modifiche arbitrarie al prodotto. ● Il prodotto non è destinato ad essere usato da persone (bambini compresi) le cui capacità fisiche, sensoriali o mentali siano ridotte, oppure con mancanza di esperienza o di conoscenza. ● Il prodotto non può essere considerato un assoluto sistema di protezione contro l'intrusione. Se desiderate proteggervi più efficacemente, è necessario integrare l'automazione con altri dispositivi di sicurezza.

## 2 - DESCRIZIONE DEL PRODOTTO E DESTINAZIONE D'USO

**ETPB** è un **lettore di tessere a transponder** che fa parte della gamma **ERA**. È destinato al comando di automazioni per porte, cancelli, portoni da garage, porte sezio-

nali e altri prodotti similari; permette di verificare e consentire l'accesso a luoghi o servizi, esclusivamente alle persone autorizzate, in possesso di una tessera (card) valida. Il dispositivo funziona solo con i prodotti Nice dotati della tecnologia "BlueBus" che supporta i dispositivi di comando. **ATTENZIONE! – Qualsiasi altro uso diverso da quello descritto e in condizioni ambientali diverse da quelle riportate in questo manuale è da considerarsi improprio e vietato!** ● Il dispositivo comunica con la centrale di comando e altri dispositivi presenti, tramite il sistema "BlueBus". Questo sistema prevede i collegamenti "in parallelo", senza alcuna polarità, effettuati con 2 conduttori sui quali transitano l'alimentazione elettrica e i segnali di comunicazione. A una stessa centrale "BlueBus" è possibile collegare fino a 4 dei seguenti dispositivi: ETPB (lettore di card a transponder), EDSB, EDSIB (tastiere digitali a combinazione); ognuno di questi dispositivi deve avere un indirizzo diverso dagli altri (creato con un jumper – vedere la **Tabella 1**), affinché la centrale possa riconoscere la specificità di ogni dispositivo durante la procedura di "apprendimento dei dispositivi collegati". Per garantire sicurezza contro eventuali tentativi fraudolenti di sostituzione di un dispositivo, durante la procedura di apprendimento la centrale crea un ulteriore legame codificato con ogni dispositivo presente, in modo da vincolarlo a se. Ulteriori informazioni sul sistema "BlueBus" sono contenute nel manuale istruzioni della centrale. ● ETPB consente di inviare un comando all'automazione soltanto se l'utente è in possesso di una card memorizzata nel lettore, valida per il comando che si desidera inviare; l'invio del comando avviene avvicinando la card al lettore. La scheda di memoria installata (mod. BM1000) consente di memorizzare fino a 255 card. Gli abbinamenti tra le card e i comandi vengono memorizzati durante la fase di programmazione, utilizzando le procedure riportate in questo manuale. In alternativa, la scheda di memoria può essere rimossa e programmata direttamente con le unità di programmazione Nice (O-BOX oppure MOU).

## 3 - LIMITI DI IMPIEGO DEL PRODOTTO

● Il prodotto può essere collegato esclusivamente a una centrale di comando di Nice Spa, dotata di tecnologia "BlueBus" che supporta i dispositivi di comando. ● Ad una centrale "BlueBus" è possibile collegare fino a 4 dei seguenti dispositivi: ETPB (letto-

re di card a transponder), EDSB, EDSIB (tastiere digitali a combinazione). ● Prima di procedere all'installazione leggere il capitolo "Caratteristiche tecniche" del prodotto per verificare se le condizioni in cui si desidera impiegare il prodotto rientrano nei valori limite stabiliti dal produttore.

## 4 - INSTALLAZIONE E COLLEGAMENTI ELETTRICI

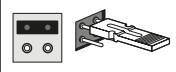
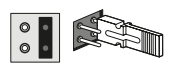
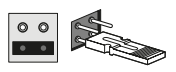
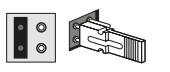
### 4.1 - Avvertenze all'installazione

● ETPB deve essere installato su una parete verticale. ● ETPB deve essere installato in un ambiente compatibile con il suo ingombro totale; l'ambiente deve garantire un facile accesso all'uso e alla manutenzione del prodotto. ● ETPB deve essere collocato in una posizione protetta e al riparo da urti accidentali. ● Per agevolare l'avvicinamento della card al lettore, posizionare ETPB a un'altezza di circa 1,5 m da terra. ● ETPB deve essere installato su una superficie solida, che possa garantire un fissaggio stabile.

### 4.2 - Fasi dell'installazione

● 01. Leggere il manuale istruzioni della centrale di comando e individuare le caratteristiche dei cavi elettrici da utilizzare. ● 02. Leggere le avvertenze all'inizio del capitolo 4 per individuare la posizione in cui fissare i dispositivi previsti. ● 03. Predisporre i tubi di protezione per i cavi elettrici. ● 04. Fissare ogni dispositivo previsto, come indicato nelle fig. 1, 2, 3, 4, 5. ● 05. **ATTENZIONE!** – Tutti i collegamenti devono esse-

TABELLA 1 - Indirizzamento dei dispositivi installati

Indirizzo - 1	Indirizzo - 2	Indirizzo - 3	Indirizzo - 4
			

re eseguiti in assenza di alimentazione elettrica. Passare i cavi elettrici nei tubi di protezione e collegare i dispositivi in "parallelo" (fig. 6): non è necessario rispettare alcuna polarità. ● 06. A questo punto, se nell'installazione sono presenti più dispositivi (fino a 4 dispositivi, considerando anche eventuali tastiere digitali a combinazione EDSB / EDSIB) è necessario cambiare la posizione del jumper in ognuno di essi (fig. 7), scegliendo un indirizzo nella **Tabella 1**. **Attenzione!** – Ogni dispositivo deve avere un indirizzo diverso da quelli usati negli altri dispositivi. ● 07. Dare alimentazione elettrica alla centrale di comando: il Led "L2" (fig. 7) emette dei lampeggi per indicare il tipo e lo stato della memoria BM installata nel dispositivo (consultare la **Tabella 2** per capire il significato dei lampeggi), seguiti eventualmente da 5 lampeggi lenti, se la memoria è vuota. ● 08. Individuare nel manuale istruzioni della centrale di comando la procedura per "l'apprendimento dei dispositivi collegati alla centrale"; quindi, eseguirla (questo consentirà alla centrale di riconoscere ogni dispositivo "BlueBus" collegato). ● 09. Eseguire la **Programmazione** del dispositivo facendo riferimento ai capitoli 5, 6, 7, 8. ● 10. Al termine della programmazione leggere il capitolo 9 sull'uso del dispositivo; poi eseguire la procedura di **Collaudo** riportata nel capitolo 10, per verificare il corretto funzionamento dei dispositivi installati. ● 11. Infine, terminare l'installazione come indicato nelle fig. 8, 9.

## 5 - AVVERTENZE IMPORTANTI PER LA PROGRAMMAZIONE

### 5.1 - Due modalità di programmazione: "Easy" e "Professional"

- La programmazione di ETPB può essere effettuata in due modi diversi e complementari tra loro:
  - **programmazione in modo "EASY"**: è una programmazione semplice che comprende solo le procedure basilari (contenute nel capitolo 6) per la memorizzazione e la cancellazione delle card.
  - **programmazione in modo "PROFESSIONAL"**: è una programmazione più



complessa, con molte funzioni, alcune specifiche e adatte soprattutto per applicazioni professionali. Le procedure che appartengono a questa programmazione (contenute nel capitolo 7) consentono di memorizzare nel lettore fino a 255 card (il numero può variare in base alla scheda di memoria installata). • Per effettuare la programmazione “Professional” è necessario utilizzare una o due card definite “MASTER”. **ATTENZIONE! – Le card “MASTER” devono essere le prime card**

**TABELLA 2 - Segnalazioni del Led “L2” riguardo la memoria BM**

Segnalazioni Led “L2”	Significato
<b>1 lampeggio (*)</b>	BM60
<b>2 lampeggi (*)</b>	BM250
<b>3 lampeggi (*)</b>	BM1000
<b>4 lampeggi (*)</b>	Indica che sono memorizzate delle card non valide
<b>5 lampeggi (*)</b>	Errore durante la lettura della memoria
(*) – Se a questi lampeggi seguono <b>5 lampeggi (lenti)</b> , significa che la memoria è vuota.	

**TABELLA 3 - Segnalazioni acustiche del lettore durante la programmazione**

Tono acustico	Significato
<b>1 tono</b>	Segnala il passaggio di una <u>card valida</u> davanti al lettore.
<b>2 toni vicini + 1 tono</b>	Segnala il passaggio di una <u>card non valida</u> davanti al lettore.
<b>3 toni</b>	Segnala la fine e il buon esito della procedura di programmazione.
<b>5 toni</b>	Errore durante l’esecuzione di una procedura di programmazione.
<b>Serie di toni</b>	Segnala che è stato commesso un errore e che la procedura di programmazione è fallita.

#### da memorizzare nel lettore.

- Le differenze tra la programmazione “Easy” e “Professional” sono solo nella fase di programmazione e nelle prestazioni ottenute; nell’uso da parte dell’utente le differenze sono minime.
- **Le programmazioni “Easy” e “Professional” sono alternative tra loro:** cioè la scelta di una delle due modalità deve essere fatta con la programmazione della prima card. Se la modalità di programmazione è già stata scelta (= memoria occupata da almeno una programmazione) e successivamente si desidera cambiarla (da “Easy” a “Professional” o viceversa), sarà necessario cancellare prima tutta la memoria di ETPB.
- Durante la fase di programmazione il dispositivo emette dei toni acustici per segnalare il funzionamento regolare oppure un errore. Consultare la **Tabella 3** per capire il significato di questi toni acustici.

## 5.2 - Relazione tra i comandi disponibili e i modi d’uso delle card

- Il lettore ETPB è in grado di inviare alla centrale due comandi diversi che in questo manuale verranno chiamati genericamente: **comando N°1** e **comando N°2**. Ad ognuno di questi viene assegnato in fabbrica un **comando di manovra**. Gli abbinamenti sono i seguenti:
  - al **comando N°1** viene assegnato il comando di manovra **“Passo-Passo”**;
  - al **comando N°2** viene assegnato il comando di manovra **“Apertura parziale”**.**Nota** – I comandi di manovra assegnati in fabbrica possono essere cambiati in qualsiasi momento, con altri comandi desiderati (vedere la **Tabella 4** nel capitolo 8), utilizzando le procedure presenti nel paragrafo 8.3.
- **Una card può essere memorizzata con i seguenti comandi:**
  - A** – con il comando N°1;
  - B** – con il comando N°2;
  - C** – con entrambi i comandi (N°1 e N°2).



## Capitolo 6

### PROGRAMMAZIONE DELLE CARD IN MODO "EASY"

#### PROCEDURE

##### 6.1 Easy



**Programmare una card valida solo per il comando N°1, oppure valida solo per il comando N°2, oppure valida per entrambi i comandi (N°1 e N°2)**

**IMPORTANTE** – Quando la programmazione termina, non può essere ripetuta. Per programmare ulteriori card sarà necessario utilizzare la procedura del paragrafo 8.1.

01. Premere il tasto "T" (fig. 7): il lettore emette dei toni acustici con cadenza regolare; entro 30 secondi...
02. ...scegliere il comando tra le tre opzioni proposte ed eseguire l'azione indicata:
  - per programmare il **comando N°1** = passare **1 volta** la nuova card davanti al lettore.
  - per programmare il **comando N°2** = passare **2 volte** la nuova card davanti al lettore.
  - per programmare il **comando N°1 e N°2** = passare **3 volte** la nuova card davanti al lettore.
03. Dopo la prima card è possibile programmarne altre, ripetendo per ognuna il punto 02 entro 10 secondi dal passaggio dell'ultima card. **Nota** – Per ogni nuova card è possibile scegliere tra le tre opzioni quella che si desidera.
04. Per terminare la procedura attendere oltre 10 secondi dopo il passaggio dell'ultima card.

**IMPORTANTE** – Altre funzioni appartenenti al modo "Easy" sono riportate nel capitolo 8.



## Capitolo 7

### PROGRAMMAZIONE DELLE CARD IN MODO "PROFESSIONAL"

- Le procedure in modalità "Professional" permettono di programmare per ogni utente (o gruppo di utenti) una propria card; questo consente in seguito di aggiungere o togliere facilmente le card in base alle necessità del momento.
  - Queste procedure permettono di programmare un numero desiderato di card (fino a 255, in base alla memoria BM installata), di cancellarne alcune, di contarle, di cancellare tutta la memoria e di utilizzare altre funzioni specifiche.
  - L'esecuzione delle procedure in modo "Professional" prevede l'utilizzo di una o due card "MASTER". Una card "MASTER" è una normale card che deve essere programmata obbligatoriamente all'inizio della programmazione "Professional", quando la memoria BM è ancora vuota. È possibile creare le seguenti "MASTER":
    - card "**MASTER-1**" e "**MASTER-2**": sono alternative alla "MASTER UNICA". La "MASTER-1" serve a memorizzare il comando N°1; la "MASTER-2" serve a memorizzare il comando N°2.
    - card "**MASTER UNICA**": è alternativa alla "MASTER-1" e "MASTER-2". Serve a memorizzare in una card il comando N°1, oppure il comando N°2, oppure entrambi i comandi (N°1 e N°2).
- IMPORTANTE** – Le card "MASTER-1" e "MASTER-2" servono per creare due gruppi distinti di card (le card di un gruppo possono attivare solo uno dei due comandi disponibili). **In alternativa**, se non è necessario creare due gruppi di card, è possibile programmare una sola card, denominata "MASTER UNICA", che svolge i compiti della "MASTER-1" e della "MASTER-2"; in più permette di creare delle card per attivare entrambi i comandi.

- Una card “MASTER” può essere usata solo per effettuare la programmazione di altre card, per cancellare tutta la programmazione e per bloccare o sbloccare un’automazione; quindi non può comandare un’automazione come una normale card. **ATTENZIONE! – Non smarrire le card “MASTER” create.**

## — Programmazione delle card “MASTER” —

La programmazione delle card “MASTER” è la prima operazione da fare: deve essere fatta quando la memoria del lettore è ancora vuota; in pratica sono le prime card che devono essere avvicinate al lettore per almeno 5 secondi. **ATTENZIONE! – Per programmare le card “MASTER” usare solo una delle procedure disponibili (7.1 o 7.2).**

### 7.1 Professional



**Programmare la card MASTER-1** (servirà per memorizzare le card che attiveranno il comando N°1) **e la card MASTER-2** (servirà per memorizzare le card che attiveranno il comando N°2)

**ATTENZIONE!** – Questa procedura è alternativa a quella del paragrafo 7.2. Può essere eseguita soltanto se la memoria del lettore è vuota.

01. Assicurarsi che la memoria del lettore sia vuota.
02. Mettere davanti al lettore una **card nuova (sarà la “MASTER-1”)** e mantenerla in posizione per almeno 5 secondi. Alla fine dei 5 secondi il lettore emette 3 toni acustici ravvicinati e 1 tono singolo.
03. Quando i toni acustici sono terminati, togliere la card dal lettore.
04. Mettere davanti al lettore una **card nuova, diversa dalla prima (sarà la “MASTER-2”)** e mantenerla in posizione per almeno 5 secondi. Alla fine dei 5 secondi il lettore emette 3 toni acustici ravvicinati e 1 tono singolo.
05. Quando i toni acustici sono terminati, togliere la card dal lettore.

### 7.2 Professional



**Programmare la card MASTER UNICA** (servirà per memorizzare le card che attiveranno il comando N°1, o il comando N°2, o entrambi i comandi)

**ATTENZIONE!** – Questa procedura è alternativa a quella del paragrafo 7.1. Può essere eseguita soltanto se la memoria del lettore è vuota.

01. Assicurarsi che la memoria del lettore sia vuota.
02. Mettere davanti al lettore una **card nuova** e mantenerla in posizione per almeno 5 secondi. Alla fine dei 5 secondi il lettore emette 3 toni acustici ravvicinati e 1 tono singolo.
03. Quando i toni acustici sono terminati, togliere la card dal lettore.
04. Mettere di nuovo, davanti al lettore, la **stessa card** e mantenerla in posizione per almeno 5 secondi. Alla fine dei 5 secondi il lettore emette 3 toni acustici ravvicinati e 1 tono singolo.
05. Quando i toni acustici sono terminati, togliere la card dal lettore.

## — Programmazioni delle normali card —

### 7.3 Professional



**Programmare (con la MASTER-1) le card che attiveranno il comando N°1**

01. Passare 1 volta la **MASTER-1** davanti al lettore.
02. Passare 1 volta la **nuova card** davanti al lettore. **Nota** – Dopo la prima card è possibile programmarne altre, ripetendo per ognuna il punto 02, entro 10 secondi dal passaggio dell’ultima card.
03. Per terminare la procedura passare 1 volta la **MASTER-1** davanti al lettore, oppure attendere più di 10 secondi dal passaggio dell’ultima card.

Ulteriori card possono essere memorizzate in qualunque momento ripetendo questa procedura dall’inizio.



## 7.4 Professional

### Programmare (con la MASTER-2) le card che attiveranno il comando N°2

01. Passare 1 volta la **MASTER-2** davanti al lettore.
02. Passare 1 volta la **nuova card** davanti al lettore. **Nota** – Dopo la prima card è possibile programmarne altre, ripetendo per ognuna il punto 02, entro 10 secondi dal passaggio dell'ultima card.
03. Per terminare la procedura passare 1 volta la **MASTER-2** davanti al lettore, oppure attendere più di 10 secondi dal passaggio dell'ultima card.

Ulteriori card possono essere memorizzate in qualunque momento ripetendo questa procedura dall'inizio.



## 7.5 Professional

### Programmare (con la MASTER-UNICA) le card che attiveranno il comando N°1

01. Passare 1 volta la **MASTER-UNICA** davanti al lettore.
02. Passare 1 volta la **nuova card** davanti al lettore. **Nota** – Dopo la prima card è possibile programmarne altre, ripetendo per ognuna il punto 02, entro 10 secondi dal passaggio dell'ultima card.
03. Per terminare la procedura passare 1 volta la **MASTER-UNICA** davanti al lettore, oppure attendere più di 10 secondi dal passaggio dell'ultima card.

Ulteriori card possono essere memorizzate in qualunque momento ripetendo questa procedura dall'inizio.



## 7.6 Professional

### Programmare (con la MASTER-UNICA) le card che attiveranno il comando N°2

01. Passare 1 volta la **MASTER-UNICA** davanti al lettore.



## 7.7 Professional

### Programmare (con la MASTER-UNICA) le card che attiveranno il comando N°1 e il comando N°2

01. Passare 1 volta la **MASTER-UNICA** davanti al lettore.
02. Passare 3 volte la **nuova card** davanti al lettore. **Nota** – Dopo la prima card è possibile programmarne altre, ripetendo per ognuna il punto 02, entro 10 secondi dal passaggio dell'ultima card.
03. Per terminare la procedura passare 1 volta la **MASTER-UNICA** davanti al lettore, oppure attendere più di 10 secondi dal passaggio dell'ultima card.

Ulteriori card possono essere memorizzate in qualunque momento ripetendo questa procedura dall'inizio.



## 7.8 Professional

### Cancellare (con un MASTER...) una o più card memorizzate

01. Passare 2 volte la **MASTER(\*)** davanti al lettore.
02. Passare 1 volta la **card da cancellare**, davanti al lettore. **Nota** – Dopo la prima card è possibile cancellarne altre, ripetendo per ognuna il punto 02, entro 10 secondi dal passaggio dell'ultima card.
03. Per terminare la procedura passare 1 volta la **MASTER** (la stessa usata al passo 01) davanti al lettore, oppure attendere più di 10 secondi dal passaggio dell'ultima card.

(\*) – Usare la MASTER-1, la MASTER-2 o la MASTER-UNICA, in funzione del gruppo al quale appartiene la card da cancellare.

Ulteriori card possono essere cancellate in qualunque momento ripetendo la procedura dall'inizio.



## 7.9 Professional

### Contare (con una MASTER...) le card memorizzate

Questa procedura permette di contare il numero di card memorizzate con il comando N°1, oppure con il comando N°2, oppure con l'insieme dei due comandi.

01. Passare 3 volte la **MASTER(\*)** davanti al lettore. Questo emette delle sequenze di toni acustici con i seguenti significati:
  - **3 toni = 1 centinaio** (es.: 1 sequenza di 3 toni corrisponde a 100 card).
  - **2 toni = 1 decina** (es.: 3 sequenze di 2 toni corrispondono a 30 card).
  - **1 tono = 1 unità** (es.: 4 sequenze di 1 tono corrispondono a 4 card).
  - **10 sequenze di toni = cifra zero.**

(\*) – Usare la MASTER-1 o la MASTER-2 in funzione del gruppo (comando N°1 o N°2) al quale appartengono le card da contare. Per contare tutte le card memorizzate (indipendentemente dal comando che attivano) usare la MASTER-UNICA.



## 7.10 Professional

### Limitare (con una MASTER...) l'uso di una card a un determinato numero di utilizzi

Ad ogni card è associato un contatore che viene scalato automaticamente ogni volta che la card viene utilizzata; quando il contatore arriva a zero la card viene disattivata. Il numero di utilizzi impostato in fabbrica è illimitato. Con questa procedura è possibile programmare un limite desiderato per l'uso di una card. Il valore massimo associabile è 999; valori superiori impostano l'uso illimitato.

01. Passare 4 volte la **MASTER(\*)** davanti al lettore. Dopo 2 secondi il lettore emette 3 toni acustici e abilita le centinaia.

02. Quindi, passare la card desiderata davanti al lettore, un numero di volte pari alle **centinaia** di unità che si desidera programmare (10 passaggi = uso illimitato).

03. Dopo 2 secondi il lettore emette 2 toni acustici e abilita le decine.

04. Quindi, passare la card desiderata davanti al lettore, un numero di volte pari alle **decine** di unità che si desidera programmare.

05. Dopo 2 secondi il lettore emette 1 tono acustico e abilita le unità.

06. Quindi, passare la card desiderata davanti al lettore, un numero di volte pari alle **unità** che si desidera programmare.

(\*) – Usare la MASTER-1, la MASTER-2 o la MASTER UNICA, in funzione del gruppo (comando N°1 e/o N°2) al quale appartiene la card di cui che si desidera limitarne l'uso.



## 7.11 Professional

### Bloccare l'automazione utilizzando una card MASTER qualunque

01. Passare 7 volte davanti al lettore una card **MASTER** qualunque.
02. Mettere davanti al lettore la stessa **MASTER** usata al punto 01 e mantenerla in posizione; quindi, attendere che il lettore emetta 1 tono acustico.
03. Alla fine del tono acustico togliere la card dal lettore. **Nota** – Se la procedura è stata eseguita correttamente il lettore emette 3 toni acustici.



## 7.12 Professional

### Sbloccare l'automazione utilizzando una card MASTER qualunque

01. Passare 7 volte davanti al lettore una card **MASTER** qualunque.
02. Mettere davanti al lettore la stessa **MASTER** usata al punto 01 e mantenerla in posizione; quindi, attendere che il lettore emetta 2 toni acustici.
03. Alla fine del tono acustico togliere la card dal lettore. **Nota** – Se la procedura è stata eseguita correttamente il lettore emette 3 toni acustici.



## 7.13 Professional

### Cancellare tutta la memoria utilizzando una card MASTER qualunque

Questa procedura cancella tutti i dati contenuti nella memoria BM del lettore, comprese le card "MASTER" programmate all'inizio.

01. Passare 5 volte davanti al lettore una card **MASTER** qualunque.
02. Attendere che il lettore emetta 3 toni acustici.
03. Alla fine del terzo tono acustico avvicinare subito al lettore la stessa **MASTER** usata al punto 01 e mantenerla in posizione.
04. Attendere che il lettore emetta 5 toni acustici.
05. Alla fine del quinto tono acustico togliere subito la **MASTER** dal lettore: il dispositivo emette 3 toni acustici e, di seguito, 5 lampeggi lenti per indicare che la memoria è vuota.
06. Infine, eseguire di nuovo la procedura per "l'apprendimento dei dispositivi collegati alla centrale", facendo riferimento al manuale della centrale.

Al termine della procedura sarà necessario programmare di nuovo il dispositivo; inoltre si potrà scegliere di nuovo la modalità di programmazione desiderata ("Easy" o "Professional").

.....  
**IMPORTANTE – Altre funzioni appartenenti al modo "Professional" sono riportate nel capitolo 8.**

## 8 - APPROFONDIMENTI – PROCEDURE COMUNI ALLE DUE MODALITÀ DI PROGRAMMAZIONE, "EASY" E "PROFESSIONAL"

### 8.1 - Memorizzare una nuova card tramite una seconda card già programmata

Per effettuare questa procedura è necessario possedere una card "vecchia", già programmata, da cui la nuova card prenderà gli stessi comandi (comando N°1, oppure comando N°2, oppure comando N°1 e N°2).

01. Mettere la nuova card davanti al lettore e mantenerla in posizione per almeno 5 secondi. Alla fine togliere la card.
02. Passare per 3 volte una vecchia card già programmata, davanti al lettore.
03. Passare per 1 volta la nuova card davanti al lettore.

Per memorizzare un'ulteriore card ripetere la procedura dall'inizio.

### 8.2 - Cancellare tutta la memoria

Questa procedura cancella tutti i dati contenuti nella memoria BM del lettore, comprese eventuali card "MASTER" programmate in precedenza.

01. Premere e tenere premuto il tasto "**T**" (**fig. 7**) sul lettore; il Led "**L1**" rimane acceso per 3 secondi, poi emette 3 lampeggi e...
02. ...rilasciare il tasto esattamente durante il terzo lampeggio. Dopo qualche istante il Led "**L1**" emette una serie di lampeggi e, dopo qualche secondo, se la procedura è stata eseguita correttamente, il lettore emette 3 toni acustici e 5 lampeggi lenti per confermare che la memoria è vuota.
03. Infine, eseguire di nuovo la procedura per "l'apprendimento dei dispositivi collegati alla centrale", facendo riferimento al manuale della centrale.

Al termine della procedura sarà necessario programmare di nuovo il dispositivo. **Nota**

– all’inizio della nuova programmazione sarà possibile scegliere di nuovo la modalità che si desidera adottare per riprogrammare il dispositivo (“Easy” o “Professional”).

### 8.3 - Cambiare il comando di manovra assegnato a una card (con le procedure 8.3.1, 8.3.2, 8.3.3)

Questa funzione permette di cambiare il comando di manovra assegnato in fabbrica ad una card (leggere il paragrafo 5.2), scegliendo il nuovo comando desiderato nella colonna “Comando di manovra” della **Tabella 4**. **Attenzione!** – Alcuni comandi potrebbero essere diversi da quelli gestiti dalla centrale a cui è collegato il lettore (vedere il manuale istruzioni della centrale).

#### 8.3.1 - Procedura per cambiare il comando di manovra N°1 o N°2, con una card programmata per attivare **UN SOLO COMANDO**

01. Passare davanti al lettore **la card di cui si desidera modificare il comando di manovra**: il lettore emette un tono acustico e attiva subito la manovra; contemporaneamente il Led “**L1**” (fig. 7) effettua dei lampeggi, seguiti da una pausa, per segnalare il tipo di manovra in esecuzione.
02. Scegliere nella **Tabella 4** la nuova manovra desiderata e prendere nota dei lampeggi del Led “**L1**” abbinati a questa manovra.
03. Premere il tasto “**T**” (una o più volte) per scorrere la lista dei comandi disponibili, fino ad impostare il comando di manovra scelto al punto 02 (ad ogni pressione del tasto il Led “**L1**” emette un lampeggio in più rispetto ai precedenti).
04. Passare davanti al lettore la card utilizzata al punto 01: il lettore emette un tono acustico e attiva subito la nuova manovra; contemporaneamente il Led “**L1**” effettua dei lampeggi, seguiti da una pausa, per segnalare la nuova manovra impostata.

#### 8.3.2 - Procedura per cambiare il comando di manovra N°1, con una card programmata per attivare **ENTRAMBI I COMANDI**

01. Mettere davanti al lettore **la card di cui si desidera modificare il comando di manovra**, e mantenerla in posizione: il lettore emette un tono acustico e, dopo 1 secondo, ne emette un’altro, attivando subito la manovra; contemporaneamente il Led “**L1**” (fig. 7) effettua dei lampeggi, seguiti da una pausa, per segnalare il tipo di manovra in esecuzione.
02. Scegliere nella **Tabella 4** la nuova manovra desiderata e prendere nota dei lampeggi del Led “**L1**” abbinati a questa manovra.
03. Premere il tasto “**T**” (una o più volte) per scorrere la lista dei comandi disponibili, fino ad impostare il comando di manovra scelto al punto 02 (ad ogni pressione del tasto il Led “**L1**” emette un lampeggio in più rispetto ai precedenti).
04. Mettere davanti al lettore la card utilizzata al punto 01 e mantenerla in posizione: il lettore emette un tono acustico e, dopo 1 secondo, ne emette un’altro, attivando subito la nuova manovra. Il Led “**L1**” effettua dei lampeggi, seguiti da una pausa, per segnalare la nuova manovra impostata.

**TABELLA 4** - Comandi di manovra associabili al comando N°1 o al comando N°2 di una card

Segnalazione Led “L1”	Comando di manovra
1 lampeggio + pausa	PASSO-PASSO (associato in fabbrica al comando N°1)
2 lampeggi + pausa	APERTURA
3 lampeggi + pausa	CHIUSURA
4 lampeggi + pausa	APRI PARZIALE (associato in fabbrica al comando N°2)
5 lampeggi + pausa	STOP
6 lampeggi + pausa	LUCE DI CORTESIA

### 8.3.3 - Procedura per cambiare il comando di manovra N°2, con una card programmata per attivare **ENTRAMBI I COMANDI**

01. **a)** - Passare la card davanti al lettore (**la card di cui si desidera modificare il comando di manovra**): dopo l'emissione di un tono acustico, allontanare subito la card dal lettore; quindi...  
**b)** - (entro 2 secondi) passare di nuovo la card davanti al lettore: questo emette un tono acustico e attiva subito la manovra; contemporaneamente il Led "**L1**" (**fig. 7**) effettua dei lampeggi, seguiti da una pausa, per segnalare il tipo di manovra eseguita.
02. Scegliere nella **Tabella 4** la nuova manovra desiderata e prendere nota dei lampeggi del Led "**L1**" abbinati a questa manovra.
03. Premere il tasto "**T**" (una o più volte) per scorrere la lista dei comandi disponibili, fino ad impostare il comando di manovra scelto al punto 02 (ad ogni pressione del tasto il Led "**L1**" emette un lampeggio in più rispetto ai precedenti).
04. **a)** - Passare davanti al lettore la card utilizzata al punto 01: dopo l'emissione di un tono acustico, allontanare subito la card dal lettore; quindi...  
**b)** - (entro 2 secondi) passare di nuovo la card davanti al lettore: questo emette un tono acustico e attiva subito la manovra; contemporaneamente il Led "**L1**" (**fig. 7**) effettua dei lampeggi, seguiti da una pausa, per segnalare la nuova manovra impostata.

## 9 - USO DELLE CARD DOPO LA LORO MEMORIZZAZIONE – GUIDA PER L'INSTALLATORE E L'UTENTE FINALE

- L'uso del lettore ETPB si basa sul riconoscimento del codice univoco di ogni card memorizzata nel lettore. Quando una card viene avvicinata al lettore questa gli invia il proprio codice identificativo; se tale codice è presente nella memoria di ETPB, il lettore invia alla centrale il comando N°1 o il comando N°2 (cioè il comando abbinato a quella card durante la sua programmazione). Se la card non è memorizzata il lettore ETPB emette un avviso acustico per segnalare l'errore.
- **Per poter comandare l'automazione, l'utente deve essere in possesso di una (o più) card memorizzate e deve ricevere dall'installatore le seguenti informazioni per usare correttamente la card:**
  - **NUMERO DEL COMANDO:** è il comando che il lettore invia all'automazione quando la card viene passata davanti al lettore: **comando N°1**, oppure **comando N°2**, oppure **entrambi i comandi** (N°1 e N°2).
  - **TIPO DI MANOVRA:** è la manovra (es.: **apertura parziale o altro...**) associata al numero del comando (N°1 oppure N°2).
  - **MODALITÀ D'USO DELLA CARD:** è il modo con cui la card deve essere passata davanti al lettore. Le modalità d'uso si diversificano in funzione della quantità di comandi che una card può trasmettere all'automazione tramite il lettore.

### ● Come usare una card che può attivare UN solo comando

#### ● **Per inviare il comando N°1**

Passare la card davanti al lettore: questo emette un tono acustico e attiva subito la manovra.

#### ● **Per inviare il comando N°2**

Passare la card davanti al lettore: questo emette un tono acustico e attiva subito la manovra.



## ● Come usare una card che può attivare DUE comandi

### ● Per inviare il comando N°1

Mettere la card davanti al lettore e mantenerla in posizione: il lettore emette un tono acustico e, dopo 1 secondo, ne emette un'altro, attivando subito la manovra.

### ● Per inviare il comando N°2

1) - Passare la card davanti al lettore: dopo l'emissione di un tono acustico, allontanare subito la card dal lettore; quindi...

2) - (entro 2 secondi) passare di nuovo la card davanti al lettore: questo emette un tono acustico e attiva subito la manovra.

- Se il Led "L2" effettua dei lampeggi, leggere la **Tabella 5** per capire il loro significato.

## 10 - COLLAUDO

Al termine della programmazione è necessario verificare il corretto funzionamento del lettore e delle card memorizzate, nel modo seguente.

- a) - Verificare che sia stato rispettato quanto previsto nel capitolo 1 - Avvertenze e precauzioni generali.
- b) - Leggere il capitolo 9 per conoscere l'uso corretto delle card e del lettore.
- c) - Passare davanti al lettore una card valida (memorizzata nel lettore) e osservare se l'automazione esegue il comando inviato. Se questo non accade, leggere il capitolo 11 - "Cosa fare se...risoluzione dei problemi".

**TABELLA 5** - Segnalazioni del Led "L2" riguardo al funzionamento del lettore nel sistema "BlueBus"

Segnalazione Led "L2"	Significato
Acceso fisso	Lettore sincronizzato al sistema "BlueBus".
3 lampeggi + 1 pausa	Lettore NON sincronizzato al sistema "BlueBus".
2 lampeggi + 1 pausa	Lettore non indirizzato (senza jumper)

- d) - Eseguire la verifica descritta al punto precedente, usando altre eventuali card memorizzate nel lettore.

## 11 - COSA FARE SE... (risoluzione dei problemi)

- 
- **Se il Led "L2" effettua alcuni lampeggi (vedere la Tabella 5):** accertarsi che il jumper sia inserito correttamente; eventualmente sincronizzare il lettore al sistema "Bluebus" eseguendo di nuovo la procedura di "apprendimento dei dispositivi collegati alla centrale", presente nel manuale della centrale di comando.

- 
- **(in presenza di più lettori collegati a una stessa centrale di comando).**  
**Se dopo aver passato una card valida davanti a un lettore il comando non viene eseguito e il Led "L2" inizia a lampeggiare:** verificare l'indirizzo di ogni dispositivo "BlueBus" collegato (leggere il punto 06 nel paragrafo 4.2).

- 
- **Se dopo aver passato una card valida davanti a un lettore, questo non emette nessuna segnalazione acustica:** controllare che la memoria BM sia inserita correttamente.

- 
- **Se dopo aver passato una card valida davanti a un lettore, il Led "L1" lampeggia per indicare che il lettore ha attivato il comando, ma l'automazione non ha eseguito la manovra:** eseguire di nuovo la procedura di "apprendimento dei dispositivi collegati alla centrale" (leggere il punto 08 nel paragrafo 4.2); oppure, accertarsi che l'automazione non sia bloccata: eventualmente sbloccarla con la procedura 7.13.

- 
- **Se la tastiera non si accende:** controllare con uno strumento adeguato che la tensione (vdc) sia presente nella rete "BlueBus".
-

## 12 - MANUTENZIONE DEL PRODOTTO

Il prodotto non necessita di particolari manutenzioni; si consiglia la pulizia delle superfici esterne, con un panno morbido e leggermente inumidito di acqua. Non utilizzare sostanze aggressive o abrasive, come detersivi, solventi e similari.

## 13 - SMALTIMENTO DEL PRODOTTO

Questo prodotto è parte integrante dell'automazione, e dunque, deve essere smaltito insieme con essa. • Come per le operazioni d'installazione, anche al termine della vita di questo prodotto, le operazioni di smantellamento devono essere eseguite da personale qualificato. • Questo prodotto è costituito da vari tipi di materiali: alcuni possono essere riciclati, altri devono essere smaltiti. Informatevi sui sistemi di riciclaggio o smaltimento previsti dai regolamenti vigenti sul vostro territorio, per questa categoria di prodotto. **Attenzione!** – alcune parti del prodotto possono contenere sostanze inquinanti o pericolose che, se disperse nell'ambiente, potrebbero provocare effetti dannosi sull'ambiente stesso e sulla salute umana. • Come indicato dal simbolo a lato, è vietato gettare questo prodotto nei rifiuti domestici. Eseguire quindi la "raccolta separata" per lo smaltimento, secondo i metodi previsti dai regolamenti vigenti sul vostro territorio, oppure riconsegnare il prodotto al venditore nel momento dell'acquisto di un nuovo prodotto equivalente.

**Attenzione!** – i regolamenti vigenti a livello locale possono prevedere pesanti sanzioni in caso di smaltimento abusivo di questo prodotto. • Il materiale dell'imballo del prodotto deve essere smaltito nel pieno rispetto della normativa locale.



## CARATTERISTICHE TECNICHE

**AVVERTENZE:** • Tutte le caratteristiche tecniche riportate, sono riferite ad una temperatura ambientale di 20°C (± 5°C). • Nice S.p.a. si riserva il diritto di apportare modifiche al prodotto in qualsiasi momento lo riterrà necessario, mantenendone comunque la stessa funzionalità e destinazione d'uso.

- **Tipologia:** sistema di controllo accessi con l'uso di card (usare i modelli disponibili nel catalogo dei prodotti Nice) a transponder passivo a 125 kHz, 32 bit sola lettura.
- **Tecnologia adottata:** sistema "BlueBus".
- **Illuminazione:** Led in colore rosso sul frontale del lettore.
- **Lunghezza del cavo di collegamento:** fare riferimento al manuale istruzioni della Centrale di comando, riguardo il collegamento di un dispositivo "BlueBus" alla centrale.
- **Alimentazione:** il lettore viene alimentato dalla centrale di comando, attraverso il sistema di comunicazione e collegamento "Bluebus".
- **Corrente assorbita:** 2 unità "BlueBus".
- **Distanza di rilevazione:** con card di fronte al lettore, a una distanza massima di circa 4 cm da questo.
- **Capacità della memoria:** 1 scheda BM1000 contiene massimo 255 codici (card). È possibile installare altre schede con differenti capacità di memoria.
- **Isolamento:** classe III
- **Grado di protezione del contenitore:** IP 54
- **Temperatura di esercizio:** da -20 °C a +55 °C
- **Utilizzo in atmosfera acida, salina o potenzialmente esplosiva:** No
- **Montaggio:** in verticale su una parete.
- **Dimensioni (mm):** 70 x 70 x h 26
- **Peso:** 265 g

## 1 - AVERTISSEMENTS ET PRÉCAUTIONS GÉNÉRALES

**ATTENTION ! ● Instructions importantes pour la sécurité. ● Il est important, pour la sécurité des personnes, de respecter ces instructions en lisant attentivement le manuel avant toute opération. ● Conserver ces instructions.**

● Avant d'effectuer l'installation, s'assurer que le produit est bien approprié au type d'utilisation souhaité (lire les « Limites d'utilisation » et les « Caractéristiques techniques » du produit). Dans le cas contraire, NE PAS procéder à l'installation. ● Pendant l'installation, manipuler le produit avec soin en évitant tout écrasement, choc, chutes ou contact avec des liquides de quelque nature que ce soit. Ne pas mettre le produit près de sources de chaleur, ni l'exposer à des flammes nues. Toutes ces actions pourraient l'endommager et créer des dysfonctionnements ou des situations de danger. Si tel est le cas, suspendre immédiatement l'installation et s'adresser au service après-vente Nice. ● Ne modifier aucune partie du produit. Des opérations non autorisées ne peuvent que provoquer des problèmes de fonctionnement. Le fabricant décline toute responsabilité pour les dommages dérivant de modifications arbitraires au produit. ● Le produit n'est pas destiné à être utilisé par des personnes (notamment des enfants) dont les capacités physiques, sensorielles ou mentales sont réduites, ou manquant d'expérience ou de connaissance. ● Le produit ne peut être considéré comme un moyen de protection totale contre l'intrusion. Si vous souhaitez vous protéger plus efficacement, il est nécessaire de compléter l'automatisme par d'autres dispositifs de sécurité.

## 2 - DESCRIPTION DU PRODUIT ET APPLICATION

**ETPB** est un **lecteur de cartes à transpondeur** faisant partie de la gamme **ERA**. Utilisé pour commander les automatismes de portes, portails, portes de garage, portes sectionnelles et autres produits analogues, il permet de contrôler les accès aux

lieux ou aux services en ne laissant passer que les personnes autorisées et munies d'une carte (card) valable. Le système en question ne fonctionne qu'avec les produits Nice à technologie « BlueBus » en mesure de supporter les dispositifs de commande.

**ATTENTION ! - Toute utilisation autre que celle décrite et dans des conditions ambiantes différentes de celles indiquées dans ce manuel doit être considérée comme impropre et interdite ! ●** Le dispositif communique avec l'unité de commande et avec d'autres dispositifs présents, sauf le système « BlueBus ». Ce système prévoit les connexions en parallèle, sans aucune polarité, effectuées par le biais de 2 conducteurs dans lesquels passent le courant électrique et les signaux de communication. Il est possible de connecter à chaque unité « BlueBus » jusqu'à 4 dispositifs parmi ceux qui sont indiqués ci-après : ETPB (lecteur de cartes à transpondeur), EDSB, EDSIB (claviers numériques à combinaison) ; chacun de ces dispositifs doit disposer d'une adresse univoque (créée par le biais d'un cavalier – voir le **Tableau 1**) de manière à ce que l'unité de commande puisse le reconnaître à ses caractéristiques durant la procédure d'« apprentissage des dispositifs connectés ». Pour garantir une protection contre les éventuelles tentatives de remplacement frauduleux d'un dispositif, l'unité de commande crée, durant la procédure d'apprentissage, un autre lien codé avec chaque dispositif présent. Pour toute autre information sur le système « BlueBus », consulter le manuel d'instructions de l'unité de commande. ● L'ETPB permet d'envoyer une commande à l'automatisme à condition que l'utilisateur possède une carte valide mémorisée dans le lecteur. Pour envoyer la commande, il suffit d'approcher la carte du lecteur. La carte mémoire installée (mod. BM1000) permet de mémoriser jusqu'à 255 cartes. Les combinaisons entre les cartes et les commandes sont mémorisées durant la phase de programmation selon les procédures indiquées dans ce manuel. Il est également possible d'enlever la carte mémoire et de la programmer directement avec les unités de programmation Nice (O-BOX ou MOU).

## 3 - LIMITES D'UTILISATION DU PRODUIT

● Le produit ne peut être connecté qu'à une unité de commande Nice Spa à technologie « BlueBus » en mesure de supporter les dispositifs de commande. ● Il est possible de connecter à chaque unité « BlueBus » jusqu'à 4 dispositifs parmi ceux qui

sont indiqués ci-après : ETPB (lecteur de cartes à transpondeur), EDSB, EDSIB (claviers numériques à combinaison). ● Avant l'installation, lire attentivement le chapitre « Caractéristiques techniques » du produit pour s'assurer que les conditions d'utilisation de ce dernier sont bien conformes aux limites établies par le producteur.

## 4 - INSTALLATION ET BRANCHEMENTS ÉLECTRIQUES

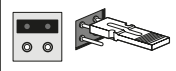
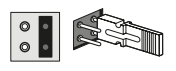
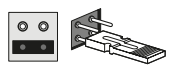
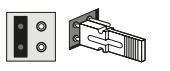
### 4.1 - Prescriptions d'installation

● L'ETPB doit être installé sur une paroi verticale. ● L'ETPB doit être installé dans un endroit compatible avec son encombrement total et en mesure de faciliter l'utilisation et l'entretien du produit. ● L'ETPB doit être positionné à l'abri d'éventuels chocs accidentels. ● Pour approcher en toute simplicité la carte du lecteur, positionner l'ETPB à environ 1,5 m du sol. ● L'ETPB doit être installé sur une surface solide en mesure de garantir une fixation stable.

### 4.2 - Phases de l'installation

● 01. Lire le manuel d'instructions de l'unité de commande et identifier les caractéristiques des câbles électriques à utiliser. ● 02. Lire les instructions au début du chapitre 4 de manière à identifier la position de fixation des dispositifs prévus. ● 03. Prévoir les tuyaux de protection des câbles électriques. ● 04. Fixer chaque dispositif prévus comme indiqué sur les **fig. 1, 2, 3, 4 et 5**. ● 05. **ATTENTION ! – Mettre hors ten-**

TABLEAU 1 - Adressage des dispositifs installés

Adresse - 1	Adresse - 2	Adresse - 3	Adresse - 4
			

**sion avant d'effectuer les branchements.** Passer les câbles électriques dans les tuyaux de protection et connecter les dispositifs en parallèle (**fig. 6**) : le respect de la polarité n'est pas nécessaire. ● 06. En présence de plusieurs dispositifs (jusqu'à 4, y compris les éventuels claviers numériques à combinaison EDSB / EDSIB), il est nécessaire de modifier la position du cavalier sur chacun d'eux (**fig. 7**) en choisissant une adresse dans le **Tableau 1**. **Attention !** – Chaque dispositif doit avoir une adresse univoque. ● 07. Mettre l'unité de commande sous tension : la led « L2 » (**fig. 7**) émet des clignotements pour indiquer le type et l'état de la mémoire BM installée dans le dispositif (consulter le **Tableau 2** pour la signification des clignotements). Ces derniers sont éventuellement suivis de 5 clignotements lents en cas de mémoire vide. ● 08. Identifier dans le manuel d'instructions de l'unité de commande la procédure d'« apprentissage des dispositifs connectés à l'unité » et l'exécuter. Cette opération permettra à l'unité de commande de reconnaître chaque dispositif « BlueBus » connecté. ● 09. Effectuer la **Programmation** du dispositif selon les instructions fournies aux chapitres 5, 6, 7 et 8. ● 10. Au terme de la programmation, lire le chapitre 9 sur l'utilisation du dispositif. Effectuer ensuite la procédure d'**Essai** indiquée au chapitre 10 pour s'assurer du bon fonctionnement des dispositifs installés. ● 11. Terminer l'installation comme indiqué sur les **fig. 8 et 9**.

## 5 - INSTRUCTIONS IMPORTANTES POUR LA PROGRAMMATION

### 5.1 - Deux modalités de programmation : « Easy » et « Professional »

- La programmation de l'ETPB peut être effectuée de deux façons à la fois différentes et complémentaires :
  - **programmation en mode « EASY »** : il s'agit d'une programmation simple qui ne contemple que les procédures de base (indiquées au chapitre 6) pour la mémorisation et l'élimination des cartes ;
  - **programmation en mode « PROFESSIONAL »** : il s'agit d'une programmation

plus complexe qui prévoit de nombreuses fonctions dont certaines sont spécifiques et surtout destinées aux applications professionnelles. Les procédures de cette programmation (indiquées au chapitre 7) permettent de mémoriser jusqu'à 255 cartes dans le lecteur (ce chiffre peut varier en fonction de la carte mémoire installée). • L'exécution de la programmation « Professional » requiert l'utilisation d'une ou de deux cartes dites « MAÎTRESSES ». **ATTENTION ! – Les cartes «**

**TABLEAU 2 - Signaux de la led « L2 » en ce qui concerne la mémoire BM**

Signaux led « L2 »	Signification
<b>1 clignotement (*)</b>	BM60
<b>2 clignotements (*)</b>	BM250
<b>3 clignotements (*)</b>	BM1000
<b>4 clignotements (*)</b>	Indique que les cartes mémorisées ne sont pas valides
<b>5 clignotements (*)</b>	Erreur durant la lecture de la mémoire
(*) – Ces clignotements indiquent, quand ils sont suivis de <b>5 clignotements (lents)</b> , que la mémoire est vide.	

**TABLEAU 3 - Signaux sonores du lecteur durant la programmation**

Signal sonore	Signification
<b>1 bip</b>	Signale le passage d'une <u>carte valide</u> devant le lecteur.
<b>2 bips rapprochés + 1 bip</b>	Signale le passage d'une <u>carte invalide</u> devant le lecteur.
<b>3 bips</b>	Signale la fin et la réussite de la procédure de programmation.
<b>5 bips</b>	Erreur durant l'exécution d'une procédure de programmation.
<b>Série de bips</b>	Signale la présence d'une erreur et l'échec de la procédure de programmation.

**MAÎTRESSES » doivent être mémorisées dans le lecteur en premier.**

- Les différences entre la programmation « Easy » et la programmation « Professional » apparaissent uniquement dans la phase de programmation et dans les performances obtenues. Au niveau de l'utilisation de la part de l'utilisateur, les différences sont minimales.
- **La programmation « Easy » alterne avec la modalité « Professional » et vice versa** : le choix d'une de ces deux modalités doit en effet être effectué avec la programmation de la première carte. Si la modalité de programmation a déjà été sélectionnée (= mémoire occupée par au moins une programmation) et que l'on souhaite la modifier par la suite (en passant de la modalité « Easy » à la modalité « Professional » ou vice versa), il faudra tout d'abord effacer toute la mémoire de l'ETPB.
- Durant la phase de programmation, le dispositif émet des bips pour signaler le fonctionnement régulier ou bien une erreur. Consulter le **Tableau 3** pour la signification des bips.

## 5.2 - Rapport entre les commandes disponibles et les modes d'utilisation des cartes

- Le lecteur ETPB est en mesure d'envoyer à l'unité deux commandes différentes génériquement dénommées dans ce manuel : **commande N°1** et **commande N°2**. À chacune de ces commandes est associée par défaut une **commande de manœuvre**. Les associations sont les suivantes :
  - à la **commande N°1** est associée la commande de manœuvre « **Pas-à-pas** » ;
  - à la **commande N°2** est associée la commande de manœuvre « **Ouverture partielle** ».**Remarque** – Les commandes de manœuvre attribuées en usine peuvent être remplacées à tout moment par d'autres commandes (voir le **Tableau 4** au chapitre 8) selon les procédures indiquées au paragraphe 8.3.
- **Chaque carte peut être mémorisée avec les commandes suivantes :**
  - A – avec la commande N°1 ;**
  - B – avec la commande N°2 ;**
  - C – avec les deux commandes (N°1 et N°2).**



## Chapitre 6

### PROGRAMMATION DES CARTES EN MODE « EASY »

#### PROCÉDURES

##### 6.1 Easy

**Programmer une carte valide uniquement pour la commande N°1, ou valide uniquement pour la commande N°2, ou valide pour les deux commandes (N°1 et N°2)**



**IMPORTANT** – Une fois la programmation terminée, il est impossible de la répéter. Pour programmer d'autres cartes, il faudra adopter la procédure indiquée au paragraphe 8.1.

01. Appuyer sur la touche « **T** » (fig. 7) : le lecteur émet des bips à intervalles réguliers ; sélectionner dans les 30 secondes...
02. ...la commande souhaitée parmi les options proposées et exécuter l'action indiquée :
  - pour programmer la **commande N°1** = passer **1 fois** la nouvelle carte devant le lecteur.
  - pour programmer la **commande N°2** = passer **2 fois** la nouvelle carte devant le lecteur.
  - pour programmer les **commandes N°1 et N°2** = passer **3 fois** la nouvelle carte devant le lecteur.
03. Il est possible, après la première carte, d'en programmer d'autres en répétant pour chacune d'elles le point 02 dans les 10 secondes qui suivent le passage de la dernière carte. **Remarque** – Il est possible, pour chaque nouvelle carte, de choisir librement une des trois options.
04. Pour terminer la procédure, attendre plus de 10 secondes après le passage de la dernière carte.

.....

**IMPORTANT** – D'autres fonctions de la modalité « Easy » sont indiquées au chapitre 8.



## Chapitre 7

### PROGRAMMATION DES CARTES EN MODE « PROFESSIONAL »

- Les procédures en mode « Professional » permettent de programmer pour chaque utilisateur (ou groupe d'utilisateurs) une carte personnelle. Il sera ainsi possible par la suite d'ajouter ou d'éliminer facilement les cartes en fonction des besoins.
  - Ces procédures permettent de programmer le nombre de cartes souhaité (jusqu'à 255 en fonction de la mémoire BM installée), d'en éliminer quelques-unes, de les compter, d'effacer toute la mémoire et d'utiliser d'autres fonctions spécifiques.
  - L'exécution des procédures en mode « Professional » prévoit l'utilisation d'une ou de deux cartes « MAÎTRESSES ». Une carte « MAÎTRESSE » est une carte ordinaire qui doit être programmée obligatoirement au début de la programmation « Professional », à savoir quand la mémoire BM est encore vide. Il est possible de créer les cartes « MAÎTRESSES » suivantes :
    - **carte « MAÎTRESSE-1 » et carte « MAÎTRESSE-2 »** : elles représentent une alternative à la carte « MAÎTRESSE UNIQUE ». La carte « MAÎTRESSE-1 » permet de mémoriser la commande N°1 ; la carte « MAÎTRESSE-2 » la commande N°2.
    - **carte « MAÎTRESSE UNIQUE »** : elle représente une alternative aux cartes « MAÎTRESSE-1 » et « MAÎTRESSE-2 ». Elle permet de mémoriser sur une carte la commande N°1, ou la commande N°2, ou les deux commandes (N°1 et N°2).
- IMPORTANT** – Les cartes « MAÎTRESSE-1 » et « MAÎTRESSE-2 » permettent de créer deux groupes différents de cartes (les cartes d'un groupe ne peuvent activer qu'une des commandes disponibles). **Si** la création de deux groupes de cartes n'est pas nécessaire, il est également possible de programmer une seule carte, dénommée carte « MAÎTRESSE UNIQUE ». Celle-ci exécute les tâches des cartes

« MAÎTRESSE-1 » et « MAÎTRESSE-2 » et permet en plus de créer des cartes pour activer les deux commandes.

- Une carte « MAÎTRESSE » ne peut être utilisée que pour effectuer la programmation d'autres cartes, pour supprimer toute la programmation et pour bloquer ou débloquent un automatisme, raison pour laquelle elle ne peut pas commander un automatisme comme le ferait une carte ordinaire. **ATTENTION ! – Ne pas perdre les cartes « MAÎTRESSES » créées.**

## — Programmation des cartes « MAÎTRESSES » —

La programmation des cartes « MAÎTRESSES » est la première opération à effectuer : elle doit avoir lieu lorsque la mémoire est encore vide. Il s'agit en fait des premières cartes à approcher du lecteur pendant au moins 5 secondes. **ATTENTION ! – Pour programmer les cartes « MAÎTRESSES », adopter une seule des procédures disponibles (7.1 ou 7.2).**

### 7.1 Professional



**Programmer la carte MAÎTRESSE-1** (elle permettra de mémoriser les cartes qui activeront la commande N°1) **et la carte MAÎTRESSE-2** (elle permettra de mémoriser les cartes qui activeront la commande N°2)

**ATTENTION ! – Cette procédure est une alternative à celle indiquée au paragraphe 7.2. Elle ne peut être exécutée que si la mémoire du lecteur est vide.**

01. S'assurer que la mémoire du lecteur est bien vide.
02. Passer devant le lecteur une **nouvelle carte** (la carte « MAÎTRESSE-1 ») et maintenir la position pendant au moins 5 secondes. Au bout de ce délai, le lecteur émet 3 bips rapprochés suivi d'1 bip.
03. Enlever la carte du lecteur après l'émission des bips.
04. Passer devant le lecteur une **nouvelle carte différente de la première (la carte « MAÎTRESSE-2 »)** et maintenir la position pendant au moins 5 secondes. Au bout de ce délai, le lecteur émet 3 bips rapprochés suivi d'1 bip.
05. Enlever la carte du lecteur après l'émission des bips.

### 7.2 Professional



**Programmer la carte MAÎTRESSE UNIQUE** (elle permettra de mémoriser les cartes qui activeront la commande N°1, ou la commande N°2, ou les deux commandes)

**ATTENTION ! – Cette procédure est une alternative à celle indiquée au paragraphe 7.1. Elle ne peut être exécutée que si la mémoire du lecteur est vide.**

01. S'assurer que la mémoire du lecteur est bien vide.
02. Passer devant le lecteur une **nouvelle carte** et maintenir la position pendant au moins 5 secondes. Au bout de ce délai, le lecteur émet 3 bips rapprochés suivi d'1 bip.
03. Enlever la carte du lecteur après l'émission des bips.
04. Passer de nouveau devant le lecteur la **même carte** et maintenir la position pendant au moins 5 secondes. Au bout de ce délai, le lecteur émet 3 bips rapprochés suivi d'1 bip.
05. Enlever la carte du lecteur après l'émission des bips.

## — Programmations des cartes ordinaires —

### 7.3 Professional



**Programmer (avec la carte MAÎTRESSE-1) les cartes qui activeront la commande N°1**

01. Passer 1 fois la carte **MAÎTRESSE-1** devant le lecteur.
02. Passer 1 fois la **nouvelle carte** devant le lecteur. **Remarque** – Il est possible, après la première carte, d'en programmer d'autres en répétant pour chacune d'elles le point 02 dans les 10 secondes qui suivent le passage de la dernière carte.
03. Pour terminer la procédure, passer 1 fois la carte **MAÎTRESSE-1** devant le lecteur, ou bien attendre plus de 10 secondes à compter du passage de la dernière carte.

Il est possible de mémoriser d'autres cartes à tout moment en répétant cette procédure depuis le début.



## 7.4 Professional

### Programmer (avec la carte MAÎTRESSE-2) les cartes qui activeront la commande N°2

01. Passer 1 fois la carte **MAÎTRESSE-2** devant le lecteur.
02. Passer 1 fois la **nouvelle carte** devant le lecteur. **Remarque** – Il est possible, après la première carte, d'en programmer d'autres en répétant pour chacune d'elles le point 02 dans les 10 secondes qui suivent le passage de la dernière carte.
03. Pour terminer la procédure, passer 1 fois la carte **MAÎTRESSE-2** devant le lecteur, ou bien attendre plus de 10 secondes à compter du passage de la dernière carte.

Il est possible de mémoriser d'autres cartes à tout moment en répétant cette procédure depuis le début.



## 7.5 Professional

### Programmer (avec la carte MAÎTRESSE-UNIQUE) les cartes qui activeront la commande N°1

01. Passer 1 fois la carte **MAÎTRESSE-UNIQUE** devant le lecteur.
02. Passer 1 fois la **nouvelle carte** devant le lecteur. **Remarque** – Il est possible, après la première carte, d'en programmer d'autres en répétant pour chacune d'elles le point 02 dans les 10 secondes qui suivent le passage de la dernière carte.
03. Pour terminer la procédure, passer 1 fois la carte **MAÎTRESSE-UNIQUE** devant le lecteur, ou bien attendre plus de 10 secondes à compter du passage de la dernière carte.

Il est possible de mémoriser d'autres cartes à tout moment en répétant cette procédure depuis le début.



## 7.6 Professional

### Programmer (avec la carte MAÎTRESSE-UNIQUE) les cartes qui activeront la commande N°2

01. Passer 1 fois la carte **MAÎTRESSE-UNIQUE** devant le lecteur.
02. Passer 2 fois la **nouvelle carte** devant le lecteur. **Remarque** – Il est possible, après la première carte, d'en programmer d'autres en répétant pour chacune d'elles le point 02 dans les 10 secondes qui suivent le passage de la dernière carte.
03. Pour terminer la procédure, passer 1 fois la carte **MAÎTRESSE-UNIQUE** devant le lecteur, ou bien attendre plus de 10 secondes à compter du passage de la dernière carte.

Il est possible de mémoriser d'autres cartes à tout moment en répétant cette procédure depuis le début.



## 7.7 Professional

### Programmer (avec la carte MAÎTRESSE-UNIQUE) les cartes qui activeront les commandes N°1 et N°2

01. Passer 1 fois la carte **MAÎTRESSE-UNIQUE** devant le lecteur.
02. Passer 3 fois la **nouvelle carte** devant le lecteur. **Remarque** – Il est possible, après la première carte, d'en programmer d'autres en répétant pour chacune d'elles le point 02 dans les 10 secondes qui suivent le passage de la dernière carte.
03. Pour terminer la procédure, passer 1 fois la carte **MAÎTRESSE-UNIQUE** devant le lecteur, ou bien attendre plus de 10 secondes à compter du passage de la dernière carte.

Il est possible de mémoriser d'autres cartes à tout moment en répétant cette procédure depuis le début.





## 7.8 Professional

### Éliminer (avec une carte MAÎTRESSE...) une ou plusieurs cartes mémorisées

01. Passer 2 fois la carte **MAÎTRESSE**(\*) devant le lecteur.
02. Passer 1 fois la **carte à éliminer** devant le lecteur. **Remarque** – Il est possible, après la première carte, d'en éliminer d'autres en répétant pour chacune d'elles le point 02 dans les 10 secondes qui suivent le passage de la dernière carte.
03. Pour terminer la procédure, passer 1 fois la carte **MAÎTRESSE** (celle qui a été utilisée au point 01) devant le lecteur, ou bien attendre plus de 10 secondes à compter du passage de la dernière carte.

(\*) – Utiliser la carte MAÎTRESSE-1, la carte MAÎTRESSE-2 ou la carte MAÎTRESSE-UNIQUE, en fonction du groupe auquel appartient la carte à éliminer.

Il est possible d'éliminer d'autres cartes à tout moment en répétant cette procédure depuis le début.



## 7.9 Professional

### Compter (avec une carte MAÎTRESSE...) les cartes mémorisées

Cette procédure permet de compter le nombre de cartes mémorisées par le biais de la commande N°1, ou de la commande N°2, ou des deux commandes ensemble.

01. Passer 3 fois la carte **MAÎTRESSE**(\*) devant le lecteur. Celui-ci émet des séries de bips qui ont la signification suivante :
  - **3 bips = 1 centaine** (ex. : 1 séquence de 3 bips correspond à 100 cartes).
  - **2 bips = 1 dizaine** (ex. : 3 séquences de 2 bips correspondent à 30 cartes).
  - **1 bip = 1 unité** (ex. : 4 séquences d'1 bip correspondent à 4 cartes).
  - **10 séquences de bips = chiffre zéro.**

(\*) – Utiliser la carte MAÎTRESSE-1 ou la carte MAÎTRESSE-2 en fonction du groupe (commande N°1 ou N°2) auquel appartiennent les cartes à compter.

toutes les cartes mémorisées (indépendamment de la commande qu'elles activent), utiliser la carte MAÎTRESSE-UNIQUE.



## 7.10 Professional

### Limitier (avec une carte MAÎTRESSE...) l'utilisation d'une carte pour un nombre bien précis de fonctions

À chaque carte est associé un compteur qui décompte automatiquement à chaque utilisation de la carte ; quand il arrive à zéro, la carte est désactivée. Le nombre d'utilisations configuré en usine est illimité. Cette procédure permet de programmer la limite souhaitée pour l'utilisation d'une carte. La valeur limite maximale associable est 999 ; toute valeur supérieure configure l'usage illimité.

01. Passer 4 fois la carte **MAÎTRESSE**(\*) devant le lecteur. Au bout de 2 secondes le lecteur émet 3 bips et active les centaines.
02. Passer ensuite la carte souhaitée devant le lecteur un nombre de fois égal aux **centaines** d'unités à programmer (10 passages = utilisation illimitée).
03. Au bout de 2 secondes le lecteur émet 2 bips et active les dizaines.
04. Passer ensuite la carte souhaitée devant le lecteur un nombre de fois égal aux **dizaines** d'unités à programmer.
05. Au bout de 2 secondes le lecteur émet 1 bip et active les unités.
06. Passer ensuite la carte souhaitée devant le lecteur un nombre de fois égal aux **unités** à programmer.

(\*) – Utiliser la carte MAÎTRESSE-1, la carte MAÎTRESSE-2 ou la carte MAÎTRESSE-UNIQUE, en fonction du groupe (commande N°1 et/ou N°2) auquel appartient la carte dont on souhaite limiter l'utilisation.



## 7.11 Professional

### Bloquer l'automatisme à l'aide d'une quelconque carte MAÎTRESSE

01. Passer 7 fois devant le lecteur une carte **MAÎTRESSE** quelconque.

02. Passer devant le lecteur la même carte **MAÎTRESSE** utilisée au point 01 et maintenir la position ; attendre ensuite que le lecteur émette 1 bip.
03. Enlever la carte du lecteur après l'émission du bip. **Remarque** – Si la procédure a été effectuée correctement, le lecteur émet 3 bips.



## 7.12 Professional

### Débloquer l'automatisme à l'aide d'une quelconque carte MAÎTRESSE

01. Passer 7 fois devant le lecteur une carte **MAÎTRESSE** quelconque.
02. Passer devant le lecteur la même carte **MAÎTRESSE** utilisée au point 01 et maintenir la position ; attendre ensuite que le lecteur émette 2 bips.
03. Enlever la carte du lecteur après l'émission du bip. **Remarque** – Si la procédure a été effectuée correctement, le lecteur émet 3 bips.



## 7.13 Professional

### Effacer toute la mémoire à l'aide d'une quelconque carte MAÎTRESSE

Cette procédure efface toutes les données de la mémoire BM du lecteur, y compris les cartes « MAÎTRESSES » programmées au début.

01. Passer 5 fois devant le lecteur une carte **MAÎTRESSE** quelconque.
02. Attendre que le lecteur émette 3 bips.
03. Au terme du troisième bip passer immédiatement devant le lecteur la même carte **MAÎTRESSE** utilisée au point 01 et maintenir la position.
04. Attendre que le lecteur émette 5 bips.
05. Immédiatement après le cinquième bip enlever la carte **MAÎTRESSE** du lecteur : le dispositif émet 3 bips suivis de 5 clignotements lents pour indiquer que la mémoire est vide.
06. Effectuer à nouveau la procédure pour « l'apprentissage des dispositifs connectés à l'unité de commande » décrite dans le manuel de ladite unité.

Il faudra, au terme de la procédure, reprogrammer le dispositif. **Remarque** – Il sera possible, au lancement de la nouvelle programmation, de choisir à nouveau la modalité à adopter pour reprogrammer le dispositif (« Easy » ou « Professional »).

**IMPORTANT – D'autres fonctions de la modalité « Professional » sont indiquées au chapitre 8.**

## 8 - APPROFONDISSEMENTS – PROCÉDURES COMMUNES AUX DEUX MODALITÉS DE PROGRAMMATION, « EASY » ET « PROFESSIONAL »

### 8.1 - Mémoriser une nouvelle carte par le biais s'une deuxième carte déjà programmée

Pour effectuer cette procédure, il est nécessaire de posséder une « vieille » carte déjà programmée dont les commandes passeront à la nouvelle carte (commande N°1, ou commande N°2, ou commande N°1 et N°2).

01. Passer la nouvelle carte devant le lecteur et maintenir la position pendant au moins 5 secondes avant de retirer la carte.
02. Passer 3 fois une vieille carte déjà programmée devant le lecteur.
03. Passer 1 fois la nouvelle carte devant le lecteur.

Pour mémoriser une autre carte, répéter la procédure depuis le début.

### 8.2 - Effacer toute la mémoire

Cette procédure efface toutes les données de la mémoire BM du lecteur, y compris les éventuelles cartes « MAÎTRESSES » précédemment programmées.

01. Appuyer sur la touche « **T** » (**fig. 7**) sur le lecteur et la laisser enfoncée ; la led « **L1** »

reste allumée pendant 3 secondes avant d'émettre 3 clignotements, puis...

02. ...relâcher la touche exactement durant le troisième clignotement. Quelques instants après, la led « **L1** » émet une série de clignotements et, au bout de quelques secondes, à condition que la procédure ait été effectuée correctement, le lecteur émet **3 bips** et **5 clignotements lents** pour confirmer que la mémoire est vide.
03. Effectuer à nouveau la procédure pour « l'apprentissage des dispositifs connectés à l'unité de commande » décrite dans le manuel de ladite unité.

Il faudra, au terme de la procédure, reprogrammer le dispositif. **Remarque** – Il sera possible, au lancement de la nouvelle programmation, de choisir à nouveau la modalité à adopter pour reprogrammer le dispositif (« Easy » ou « Professional »).

### 8.3 - Modifier la commande de manœuvre attribuée à une carte (selon les procédures 8.3.1, 8.3.2 et 8.3.3)

Cette fonction permet de modifier la commande de manœuvre attribuée par défaut à une carte (lire à ce propos le paragraphe 5.2), en choisissant la nouvelle commande dans la colonne « Commande de manœuvre » du **Tableau 4. Attention !** – Il se pourrait que certaines commandes soient différentes de celles que gère l'unité de commande à laquelle le lecteur est connecté (voir le manuel d'instructions de l'unité en question).

#### 8.3.1 - Procédure à suivre pour modifier la commande de manœuvre N°1 ou N°2 par le biais d'une carte programmée pour activer UNE SEULE COMMANDE

01. Passer devant le lecteur **la carte dont on souhaite modifier la commande de manœuvre** : le lecteur émet un bip et active immédiatement la manœuvre alors que la led « **L1** » (**fig. 7**) émet des clignotements suivis d'une pause pour signaler le type de manœuvre en cours d'exécution.
02. Sélectionner au choix la nouvelle manœuvre dans le **Tableau 4** et noter les clignotements de la led « **L1** » associés à cette manœuvre.
03. Appuyer sur la touche « **T** » (une ou plusieurs fois) pour faire défiler la liste des

commandes jusqu'à la configuration de la commande de manœuvre choisie au point 02 (à chaque enfoncement de la touche, la led « **L1** » émet un clignotement en plus par rapport aux précédents).

04. Passer devant le lecteur la carte utilisée au point 01 : le lecteur émet un bip et active immédiatement la nouvelle manœuvre alors que la led « **L1** » émet des clignotements suivis d'une pause pour signaler la nouvelle manœuvre configurée.

#### 8.3.2 - Procédure à suivre pour modifier la commande de manœuvre N°1 par le biais d'une carte programmée pour activer LES DEUX COMMANDES

01. Passer devant le lecteur **la carte dont on souhaite modifier la commande de manœuvre** et maintenir la position : le lecteur émet un bip puis un autre au bout d'une seconde en activant immédiatement la manœuvre alors que la led « **L1** » (**fig. 7**) émet des clignotements suivis d'une pause pour signaler le type de manœuvre en cours d'exécution.
02. Sélectionner au choix la nouvelle manœuvre dans le **Tableau 4** et noter les clignotements de la led « **L1** » associés à cette manœuvre.
03. Appuyer sur la touche « **T** » (une ou plusieurs fois) pour faire défiler la liste des

**TABLEAU 4** - Commandes de manœuvre associables à la commande N°1 ou à la commande N°2 d'une carte

Signal led « L1 »	Commande de manœuvre
1 clignotement + pause	PAS-À-PAS (associée par défaut à la commande N°1)
2 clignotements + pause	OUVERTURE
3 clignotements + pause	FERMETURE
4 clignotements + pause	OUVERTURE PARTIELLE (associée par défaut à la commande N°2)
5 clignotements + pause	STOP
6 clignotements + pause	ÉCLAIRAGE AUTOMATIQUE

commandes jusqu'à la configuration de la commande de manœuvre choisie au point 02 (à chaque enfoncement de la touche, la led « L1 » émet un clignotement en plus par rapport aux précédents).

04. Passer devant le lecteur la carte utilisée au point 01 et maintenir la position : le lecteur émet un bip puis un autre au bout d'1 seconde en activant immédiatement la nouvelle manœuvre. La led « L1 » émet des clignotements suivis d'une pause pour signaler la nouvelle manœuvre configurée.

### 8.3.3 - Procédure à suivre pour modifier la commande de manœuvre N°2 par le biais d'une carte programmée pour activer **LES DEUX COMMANDES**

01. a) - Passer la carte devant le lecteur (**celle dont on souhaite modifier la commande de manœuvre**) : après l'émission d'un bip, éloigner immédiatement la carte du lecteur ; puis...
- b) - (au bout de 2 secondes) passer à nouveau la carte devant le lecteur : celui-ci émet un bip et active immédiatement la manœuvre alors que la led « L1 » (**fig. 7**) émet des clignotements suivis d'une pause pour signaler le type de manœuvre exécutée.
02. Sélectionner au choix la nouvelle manœuvre dans le **Tableau 4** et noter les clignotements de la led « L1 » associés à cette manœuvre.
03. Appuyer sur la touche « T » (une ou plusieurs fois) pour faire défiler la liste des commandes jusqu'à la configuration de la commande de manœuvre choisie au point 02 (à chaque enfoncement de la touche, la led « L1 » émet un clignotement en plus par rapport aux précédents).
04. a) - Passer devant le lecteur la carte utilisée au point 01 : après l'émission d'un bip, éloigner immédiatement la carte du lecteur ; puis...
- b) - (au bout de 2 secondes) passer à nouveau la carte devant le lecteur : celui-ci émet un bip et active immédiatement la manœuvre alors que la led « L1 » (**fig. 7**) émet des clignotements suivis d'une pause pour signaler la nouvelle manœuvre configurée.

## 9 - UTILISATION DES CARTES APRÈS LEUR MÉMORISATION – GUIDE POUR L'INSTALLATEUR ET L'UTILISATEUR FINAL

- L'utilisation du lecteur ETPB se base sur la reconnaissance du code univoque de chaque carte mémorisée dans le lecteur. Quand une carte passe devant le lecteur elle lui envoie son propre code d'identification ; si ce code est présent dans la mémoire de l'ETPB, le lecteur envoie à l'unité de commande la commande N°1 ou la commande N°2 (à savoir la commande associée à cette carte durant sa programmation). Si la carte n'est pas mémorisée, le lecteur ETPB émet un bip pour signaler l'erreur.
  - **Pour pouvoir commander l'automatisme, l'utilisateur doit posséder une (ou plusieurs) cartes mémorisées et doit recevoir de la part de l'installateur les informations suivantes afin d'utiliser la carte de façon correcte :**
    - **NUMÉRO DE LA COMMANDE** : il s'agit de la commande que le lecteur envoie à l'automatisme quand l'utilisateur approche la carte du lecteur : **commande N°1**, ou **commande N°2**, ou les deux **ensemble**.
    - **TYPE DE MANŒUVRE** : il s'agit de la manœuvre (ex. : **ouverture partielle...**) associée au numéro de la commande (N°1 ou N°2).
    - **MODALITÉ D'UTILISATION DE LA CARTE** : il s'agit du mode de passage de la carte devant le lecteur. Les modalités d'utilisation diffèrent en fonction de la quantité de commandes qu'une carte peut transmettre à l'automatisme par le biais du lecteur.
- **Comment utiliser une carte ne pouvant activer qu'UNE seule commande**
- **Pour envoyer la commande N°1**  
Passer la carte devant le lecteur : celui-ci émet un bip et active immédiatement la manœuvre.
  - **Pour envoyer la commande N°2**

Passer la carte devant le lecteur : celui-ci émet un bip et active immédiatement la manœuvre.

#### ● Comment utiliser une carte pouvant activer DEUX commandes

##### • **Pour envoyer la commande N°1**

Passer la carte devant le lecteur et maintenir la position : le lecteur émet un bip puis un autre au bout d'1 seconde en activant immédiatement la manœuvre.

##### • **Pour envoyer la commande N°2**

1) - Passer la carte devant le lecteur : après l'émission d'un bip, éloigner immédiatement la carte du lecteur ; puis...

2) - (dans les 2 secondes qui suivent) passer de nouveau la carte devant le lecteur : celui-ci émet un bip et active immédiatement la manœuvre.

- Si la led « L2 » émet des clignotements, lire le **Tableau 5** pour en comprendre la signification.

## 10 - ESSAI

Il est nécessaire, au terme de la programmation, de contrôler le bon fonctionnement du lecteur et des cartes mémorisées en effectuant les opérations suivantes :

- a) - S'assurer que les instructions fournies au chapitre 1 ont bien été respectées - Avertissements et précautions générales.
- b) - Lire le chapitre 9 pour connaître l'utilisation correcte des cartes et du lecteur.

**TABLEAU 5** - Signaux de la led « L2 » en ce qui concerne le fonctionnement du lecteur dans le système « BlueBus »

Signaux led « L2 »	Signification
Allumée en permanence	Lecteur synchronisé sur le système « BlueBus ».
3 clignotements + 1 pause	Lecteur NON synchronisé sur le système « BlueBus ».
2 clignotements + 1 pause	Lecteur sans adresse (sans cavalier).

- c) - Passer devant le lecteur une carte valide (mémorisée dans le lecteur) et vérifier si l'automatisme exécute effectivement la commande envoyée. Dans le cas contraire, lire le chapitre 11 - « Que faire si...résolution des problèmes ».
- d) - Effectuer le contrôle décrit au point précédent en utilisant d'éventuelles autres cartes mémorisées dans le lecteur.

## 11 - QUE FAIRE SI... (résolution des problèmes)

- **Si la led « L2 » émet quelques clignotements (voir le Tableau 5) :** s'assurer que le cavalier est positionné correctement ; synchroniser éventuellement le lecteur sur le système « Bluebus » en répétant la procédure d'« apprentissage des dispositifs connectés à l'unité de commande » décrite dans le manuel de cette même unité.
- **(en présence de plusieurs lecteurs connectés à une même unité de commande). Si après le passage d'une carte valide devant le lecteur la commande n'est pas exécutée et que la led « L2 » commence à clignoter :** contrôler l'adresse de chaque dispositif « BlueBus » connecté (lire le point 06 au paragraphe 4.2).
- **Si après le passage d'une carte valide devant un lecteur, celui-ci n'émet aucun signal sonore :** contrôler que la carte mémoire BM est correctement insérée.
- **Si après le passage d'une carte valide devant un lecteur, la led « L1 » clignote pour indiquer que ce dernier a activé la commande alors qu'en fait l'automatisme n'a pas exécuté la manœuvre :** effectuer à nouveau la procédure d'« apprentissage des dispositifs connectés à l'unité de commande » (lire le point 08 au paragraphe 4.2) ou s'assurer que l'automatisme n'est pas bloqué (dans le cas contraire le débloquer selon la procédure 7.13).
- **Si le clavier ne s'allume pas :** s'assurer à l'aide d'un instrument approprié de la présence de tension (vdc) sur le réseau « BlueBus ».

## 12 - ENTRETIEN DU PRODUIT

Le produit ne requiert aucun entretien particulier ; il est conseillé de nettoyer les surfaces externes à l'aide d'un chiffon doux et légèrement imbibé d'eau. Ne pas utiliser de substances agressives ni abrasives telles que les détergents, les solvants ou d'autres substances similaires.

## 13 - MISE AU REBUT DU PRODUIT

Ce produit fait partie intégrante de l'automatisme et doit donc être mis au rebut avec cette dernière. • Tout comme l'installation, les opérations de démantèlement, à la fin de la durée de vie de ce produit, doivent être effectuées par du personnel qualifié. • Ce produit se compose de divers matériaux : certains peuvent être recyclés, d'autres doivent être mis au rebut. Informez-vous sur les systèmes de recyclage ou de mise au rebut prévus par les normes en vigueur dans votre région pour cette catégorie de produit. **Attention !** – certains composants du produit peuvent contenir des substances polluantes ou dangereuses qui pourraient avoir des effets nuisibles sur l'environnement et sur la santé des personnes s'ils devaient ne pas être adéquatement éliminés. • Comme l'indique le symbole ci-contre, il est interdit de jeter ce produit avec les ordures ménagères. Procéder à la « collecte différenciée » des composants pour leur traitement conformément aux méthodes prescrites par les normes locales en vigueur ou restituer le produit au vendeur lors de l'achat d'un nouveau produit équivalent. **Attention !** – les règlements locaux en vigueur peuvent prévoir de lourdes sanctions en cas d'élimination prohibée de ce produit. • Les matériaux de l'emballage du produit doivent être mis au rebut dans le plein respect des normes locales en vigueur.



## CARACTÉRISTIQUES TECHNIQUES

**AVERTISSEMENTS :** • Toutes les caractéristiques techniques indiquées se réfèrent à une température ambiante de 20 °C ( $\pm 5$  °C). • Nice S.p.a. se réserve le droit d'apporter des modifications au produit à tout moment si elle le jugera nécessaire, en garantissant dans tous les cas les mêmes fonctions et le même type d'utilisation prévu.

- **Typologie :** système de contrôle d'accès par le biais de cartes (utiliser les modèles disponibles sur le catalogue des produits Nice) à transpondeur passif à 125 kHz, 32 bits en lecture seule.
- **Technologie adoptée :** système « BlueBus ».
- **Éclairage :** Led rouge sur la partie frontale du lecteur.
- **Longueur du câble de connexion :** se référer au manuel d'instructions de l'unité de commande en ce qui concerne la connexion d'un dispositif « BlueBus » à l'unité.
- **Alimentation :** le lecteur est alimenté par l'unité de commande par le biais du système de communication et de connexion « Bluebus ».
- **Courant absorbé :** 2 unités « BlueBus ».
- **Distance de détection :** la carte doit passer devant le lecteur à une distance maximale d'environ 4 cm.
- **Capacité de la mémoire :** 1 carte BM1000 contient au maximum 255 codes (cartes). Il est possible d'installer d'autres cartes avec différentes capacités de mémoire.
- **Isolation :** classe III
- **Indice de protection du boîtier :** IP 54
- **Température de fonctionnement :** de -20 °C à +55 °C
- **Utilisation en atmosphère acide, saline ou potentiellement explosive :** Non
- **Montage :** à la verticale sur un mur.
- **Dimensions (mm) :** 70 x 70 x h 26
- **Poids :** 265 g

## 1 - ADVERTENCIAS Y PRECAUCIONES GENERALES

**¡ATENCIÓN!** ● Instrucciones importantes para la seguridad. ● Es importante respetar estas instrucciones a fin de preservar la seguridad de las personas; por tanto, es preciso leer detenidamente este manual antes de comenzar el trabajo. ● Conservar estas instrucciones. ● Antes de comenzar la instalación, comprobar si el producto es apto para el tipo de uso deseado (véanse los “Límites de uso” y las “Características técnicas del producto”). NO proceder con la instalación si el producto no es adecuado. ● Durante la instalación, tratar el producto con cuidado evitando aplastamientos, caídas o contactos con cualquier tipo de líquido. No colocar el producto cerca de fuentes de calor ni exponerlo a llamas libres. Todas estas acciones pueden dañarlo y provocar defectos de funcionamiento o situaciones de peligro. En tal caso, interrumpir inmediatamente la instalación y acudir al Servicio de Asistencia Nice. ● No efectuar modificaciones en ninguna parte del producto. Las operaciones no permitidas pueden provocar desperfectos de funcionamiento. El fabricante no se asumirá ninguna responsabilidad por daños originados por modificaciones arbitrarias hechas al producto. ● El producto no puede ser utilizado por niños ni por personas con capacidades físicas, sensoriales o mentales reducidas o carentes de experiencia o de conocimiento. ● El producto no puede considerarse un sistema de protección absoluto contra las intrusiones. Para obtener una protección más eficaz hay que integrar la automatización con otros dispositivos de seguridad.

## 2 - DESCRIPCIÓN DEL PRODUCTO Y USO PREVISTO

**ETPB** es un **lector de tarjetas con transponder** que forma parte de la gama **ERA**. Está destinado al mando de automatizaciones para puertas, cancelas, portones de garaje, puertas seccionales y otros productos similares; sirve para verificar y permitir el acceso a lugares o servicios exclusivamente a las personas autorizadas que po-

sean una tarjeta válida. Funciona sólo con los productos Nice dotados de tecnología “BlueBus”, compatible con los dispositivos de mando. **¡ATENCIÓN!** – **Cualquier empleo diferente de aquel descrito y en condiciones ambientales diferentes de aquellas indicadas en este manual debe considerarse inadecuado y prohibido.** ● El dispositivo se comunica con la central de mando y los otros dispositivos a través del sistema “BlueBus”. Este sistema prevé conexiones “en paralelo” sin ninguna polaridad, con 2 conductores por los que transitan la alimentación eléctrica y las señales de comunicación. A una misma central “BlueBus” es posible conectar hasta 4 de los siguientes dispositivos: ETPB (lector de tarjetas con transponder), EDSB, EDSIB (teclados digitales de combinación); cada uno de estos dispositivos debe tener una dirección diferente de las otras (creada con un jumper – ver la **Tabla 1**), para que la central pueda reconocer la especificidad de cada dispositivo durante el procedimiento de “adquisición de los dispositivos conectados”. Para garantizar seguridad contra eventuales intentos fraudulentos de sustitución de un dispositivo, durante el procedimiento de adquisición la central crea un ulterior vínculo codificado con cada dispositivo presente. El manual de instrucciones de la central contiene más información sobre el sistema “BlueBus”. ● ETPB permite enviar un mando a la automatización sólo si el usuario tiene memorizada en el lector una tarjeta válida para el mando que desea enviar; el mando se envía acercando la tarjeta al lector. La tarjeta de memoria instalada (mod. BM1000) permite memorizar hasta 255 tarjetas. Las asociaciones entre las tarjetas y los mandos se memorizan durante la fase de programación aplicando los procedimientos indicados en este manual. Como alternativa, la tarjeta de memoria se puede quitar y programar directamente con las unidades de programación Nice (O-BOX o MOU).

## 3 - LÍMITES DE EMPLEO DEL PRODUCTO

● El producto se puede conectar exclusivamente a una central de mando de Nice S.p.a. dotada de tecnología “BlueBus” compatible con los dispositivos de mando. ● A una central “BlueBus” es posible conectar hasta 4 de los siguientes dispositivos: ETPB (lector de tarjetas con transponder), EDSB, EDSIB (teclados digitales de combinación). ● Antes de realizar la instalación, leer el capítulo “Características técnicas

del producto” para verificar si las condiciones en las que se desea emplear el producto cumplen con los valores límite establecidos por el fabricante.

## 4 - INSTALACIÓN Y CONEXIONES ELÉCTRICAS

### 4.1 - Advertencias para la instalación

● ETPB se debe instalar sobre una pared vertical. ● ETPB se debe instalar en un ambiente compatible con sus dimensiones máximas; el ambiente debe garantizar un fácil acceso para el uso y el mantenimiento del producto. ● ETPB se debe instalar en una posición que esté protegida contra los choques. ● Para facilitar el acercamiento de la tarjeta al lector, instalar ETPB a aproximadamente 1,5 m del suelo. ● ETPB se debe instalar sobre una superficie sólida adecuada para asegurar una fijación estable.

### 4.2 - Fases de instalación

● 01. Leer el manual de instrucciones de la central de mando e identificar las características de los cables eléctricos que se deben utilizar. ● 02. Leer las advertencias al comienzo del capítulo 4 para identificar la posición en la cual fijar los dispositivos previstos. ● 03. Preparar los tubos de protección para los cables eléctricos. ● 04. Fijar cada dispositivo previsto como se indica en las fig. 1, 2, 3, 4, 5. ● 05. ¡ATENCIÓN! – Todas las conexiones deben efectuarse en ausencia de alimentación eléctrica. Pasar los cables eléctricos por los tubos de protección y conectar los dispositivos en “paralelo” (fig. 6): no es necesario respetar ninguna polaridad. ● 06. Si


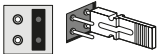
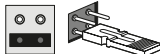
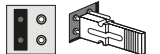
en la instalación hay varios dispositivos (hasta 4, considerando también eventuales teclados digitales de combinación EDSB / EDSIB) es necesario cambiar la posición del jumper en cada uno (fig. 7), eligiendo una dirección en la **Tabla 1**. ¡Atención! – Cada dispositivo debe tener una dirección diferente de aquellas utilizadas en los otros dispositivos. ● 07. Dar alimentación eléctrica a la central de mando: el Led “L2” (fig. 7) parpadea para indicar el tipo y el estado de la memoria BM instalada en el dispositivo (consultar la **Tabla 2** para entender el significado de los parpadeos); luego emite 5 parpadeos lentos si la memoria está vacía. ● 08. Buscar en el manual de instrucciones de la central de mando el procedimiento de adquisición de los dispositivos conectados a la central; seguir este procedimiento: la central reconocerá cada dispositivo “BlueBus” conectado). ● 09. Efectuar la **Programación** del dispositivo consultando los capítulos 5, 6, 7, 8. ● 10. Al finalizar la programación, leer el capítulo 9 sobre el uso del dispositivo y seguir el procedimiento de **Prueba** que se describe en el capítulo 10 para verificar el funcionamiento correcto de los elementos instalados. ● 11. Completar la instalación como se indica en las fig. 8, 9.

## 5 - ADVERTENCIAS IMPORTANTES PARA LA PROGRAMACIÓN

### 5.1 - Dos modos de programación: “Easy” y “Professional”

- La programación de ETPB puede ser efectuada de dos modos complementarios entre sí:
  - **programación en modo “EASY”**: es una programación sencilla que comprende sólo los procedimientos básicos (contenidos en el capítulo 6) para memorizar y borrar tarjetas.
  - **programación en modo “PROFESSIONAL”**: es una programación más compleja con muchas funciones, algunas de las cuales son específicas y adecuadas principalmente para aplicaciones profesionales. Los procedimientos para esta programación (contenidos en el capítulo 7) permiten memorizar en el lector hasta 255 tarjetas (el número puede variar según la tarjeta de memoria instalada). ● Para la programación “Professional” es necesario utilizar una o dos tarjetas “MASTER”.

TABLA 1 - Direcciones de los dispositivos instalados

Dirección - 1	Dirección - 2	Dirección - 3	Dirección - 4
			



**¡ATENCIÓN! – Las tarjetas “MASTER” deben ser las primeras en memorizarse en el lector.**

- Las diferencias entre “Easy” y “Professional” están sólo en la fase de programación y en las prestaciones obtenidas; las diferencias son mínimas en lo que concierne al uso.
- **Las programaciones “Easy” y “Professional”, son alternativas entre sí**, es decir que la elección de una de las dos debe realizarse con la programación de la

**TABLA 2 - Señales del Led “L2” acerca de la memoria BM**

Señales Led “L2”	Significado
<b>1 parpadeo (*)</b>	BM60
<b>2 parpadeos (*)</b>	BM250
<b>3 parpadeos (*)</b>	BM1000
<b>4 parpadeos (*)</b>	Indica que se han memorizado tarjetas no válidas
<b>5 parpadeos (*)</b>	Error durante la lectura de la memoria
(*) – Si estos parpadeos son seguidos de otros <b>5 parpadeos (lentos)</b> , la memoria está vacía.	

**TABLA 3 - Señales acústicas del lector durante la programación**

Señal acústica	Significado
<b>1 señal</b>	Indica el paso de una <u>tarjeta válida</u> por delante del lector.
<b>2 señales seguidas + 1 señal</b>	Indica el paso de una <u>tarjeta no válida</u> por delante del lector.
<b>3 señales</b>	Indica la conclusión correcta del procedimiento de programación.
<b>5 señales</b>	Error durante la ejecución de un procedimiento de programación.
<b>Serie de señales acústicas</b>	Indica que se ha cometido un error y el procedimiento de programación ha fallado.

primera tarjeta. Si el modo de programación ya se ha elegido (= memoria ocupada por al menos una programación) y en lo sucesivo se desea cambiar de modo de programación (de “Easy” a “Professional” o viceversa), será necesario borrar primero toda la memoria de ETPB.

- Durante la fase de programación, el dispositivo emite señales acústicas para indicar el funcionamiento regular o un error. Consultar la **Tabla 3** para saber el significado de las señales acústicas.

## 5.2 - Relación entre los mandos disponibles y los modos de uso de las tarjetas

- El lector ETPB puede enviar a la central dos mandos diferentes, que en este manual se denominan genéricamente: **mando N°1** y **mando N°2**. A cada uno de éstos se asigna en fábrica un **mando de maniobra**. Las asociaciones son las siguientes:

- al **mando N°1** se asigna el mando de maniobra **“Paso-Paso”**;
- al **mando N°2** se asigna el mando de maniobra **“Apertura parcial”**;

**Nota** – Los mandos de maniobra asignados en fábrica se pueden cambiar en cualquier momento por otros mandos (ver la **Tabla 4** en el capítulo 8), aplicando los procedimientos del apartado 8.3.

- **Una tarjeta puede memorizarse con los siguientes mandos:**

- A** – con el **mando N°1**;
- B** – con el **mando N°2**;
- C** – con **ambos mandos (N°1 y N°2)**.



## Capítulo 6

### PROGRAMACIÓN DE LAS TARJETAS EN MODO “EASY”

#### PROCEDIMIENTOS

##### 6.1 Easy



**Programar una tarjeta válida sólo para el mando N°1, o válida sólo para el mando N°2, o válida para ambos mandos (N°1 y N°2)**

**IMPORTANTE** – Cuando la programación termina, no se puede repetir. Para programar otras tarjetas será necesario aplicar el procedimiento del apartado 8.1.

01. Pulsar la tecla “**T**” (fig. 7): el lector emite señales acústicas con frecuencia regular; en un plazo de 30 segundos...
02. ...elegir el mando entre las tres opciones propuestas y ejecutar la acción indicada:
  - para programar el mando N°1 = pasar la nueva tarjeta por delante del lector **1 vez**.
  - para programar el mando N°2 = pasar la nueva tarjeta por delante del lector **2 veces**.
  - para programar el mando N°1 y N°2 = pasar la nueva tarjeta por delante del lector **3 veces**.
03. Después de la primera tarjeta, es posible programar otras, repitiendo para cada una el punto 02 en un plazo de 10 segundos. **Nota** – Por cada nueva tarjeta, es posible elegir entre las tres opciones.
04. Para terminar el procedimiento, esperar más de 10 segundos después de pasar la última tarjeta.

**IMPORTANTE** – Otras funciones pertenecientes al modo “Easy” se describen en el capítulo 8.



## Capítulo 7

### PROGRAMACIÓN DE LAS TARJETAS EN MODO “PROFESSIONAL”

- Los procedimientos en modo “Professional” permiten programar una tarjeta para cada usuario (o grupo de usuarios); esto permite añadir o quitar fácilmente las tarjetas según las necesidades del momento.
- Estos procedimientos permiten programar el número de tarjetas que se desee (hasta 255, según la memoria BM instalada), borrar tarjetas, contarlas, borrar toda la memoria y utilizar otras funciones específicas.
- La ejecución de los procedimientos en modo “Professional” prevé el uso de una o dos tarjetas “MASTER”. Una tarjeta “MASTER” es una tarjeta normal que se debe programar indefectiblemente al comienzo de la programación “Professional”, cuando la memoria BM aún está vacía. Es posible crear las siguientes “MASTER”:
  - tarjetas “MASTER-1” y “MASTER-2”: son alternativas a la “MASTER ÚNICA”. La “MASTER-1” sirve para memorizar el mando N°1; la “MASTER-2” sirve para memorizar el mando N°2.
  - tarjeta “MASTER ÚNICA”: es alternativa a las “MASTER-1” y “MASTER-2”. Sirve para memorizar en una tarjeta el mando N°1, o el mando N°2, o ambos mandos (N°1 y N°2).

**IMPORTANTE** – Las tarjetas “MASTER-1” y “MASTER-2” sirven para crear dos grupos distintos de tarjetas (las tarjetas de un grupo pueden activar sólo uno de los dos mandos disponibles). **Como alternativa**, si no es necesario crear dos grupos de tarjetas, es posible programar una sola tarjeta denominada “MASTER ÚNICA”, que desempeña las funciones de la “MASTER-1” y de la “MASTER-2”; además, permite crear tarjetas para activar ambos mandos.

- Una tarjeta “MASTER” puede utilizarse sólo para efectuar la programación de otras tarjetas, para borrar toda la programación y para bloquear o desbloquear una automatización; no sirve para el mando de una automatización como una tarjeta normal. **¡ATENCIÓN! – No perder las tarjetas “MASTER” creadas.**

### — Programación de las tarjetas “MASTER” —

La programación de las tarjetas “MASTER” es la primera operación a ejecutar: debe ejecutarse cuando la memoria del lector aún está vacía; prácticamente son las primeras tarjetas que se deben acercar al lector al menos 5 segundos. **¡ATENCIÓN! – Para programar las tarjetas “MASTER” utilizar sólo uno de los procedimientos disponibles (7.1 o 7.2).**

#### 7.1 Professional



**Programar la tarjeta MASTER-1** (servirá para memorizar las tarjetas que activarán el mando N°1) **y la tarjeta MASTER-2** (servirá para memorizar las tarjetas que activarán el mando N°2)

**¡ATENCIÓN!** – Este procedimiento es alternativo al del apartado 7.2. Puede ejecutarse sólo si la memoria del lector está vacía.

01. Comprobar que la memoria del lector esté vacía.
02. Pasar por delante del lector una **tarjeta nueva (será la “MASTER-1”)** y mantenerla en posición durante al menos 5 segundos. Pasados los 5 segundos, el lector emite 3 señales acústicas seguidas y luego 1 señal sola.
03. Después de las señales acústicas, sacar la tarjeta del lector.
04. Pasar por delante del lector otra **tarjeta nueva (será la “MASTER-2”)** y mantenerla en posición durante al menos 5 segundos. Pasados los 5 segundos, el lector emite 3 señales acústicas seguidas y luego 1 señal sola.
05. Después de las señales acústicas, sacar la tarjeta del lector.

#### 7.2 Professional



**Programar la tarjeta MASTER ÚNICA** (servirá para memorizar las tarjetas que activarán el mando N°1, o el mando N°2, o ambos mandos)

**¡ATENCIÓN!** – Este procedimiento es alternativo al del apartado 7.1. Puede ejecutarse sólo si la memoria del lector está vacía.

01. Comprobar que la memoria del lector esté vacía.
02. Pasar por delante del lector una **tarjeta nueva** y mantenerla en posición durante al menos 5 segundos. Pasados los 5 segundos, el lector emite 3 señales acústicas seguidas y luego 1 señal sola.
03. Después de las señales acústicas, sacar la tarjeta del lector.
04. Pasar por delante del lector la **misma tarjeta** y mantenerla en posición durante al menos 5 segundos. Pasados los 5 segundos, el lector emite 3 señales acústicas seguidas y luego 1 señal sola.
05. Después de las señales acústicas, sacar la tarjeta del lector.

### — Programación de tarjetas comunes —

#### 7.3 Professional



**Programar (con la MASTER-1) las tarjetas que activarán el mando N°1**

01. Pasar 1 vez la **MASTER-1** por delante del lector.
02. Pasar 1 vez la **nueva tarjeta** por delante del lector. **Nota** – Después de la primera tarjeta, es posible programar otras, repitiendo para cada una el punto 02 en un plazo de 10 segundos.
03. Para terminar el procedimiento, pasar 1 vez la **MASTER-1** por delante del lector, o esperar más de 10 segundos después de pasar la última tarjeta.

En cualquier momento se podrán memorizar más tarjetas repitiendo este procedimiento desde el comienzo.



## 7.4 Professional

### Programar (con la MASTER-2) las tarjetas que activarán el mando N°2

01. Pasar 1 vez la **MASTER-2** por delante del lector.
02. Pasar 1 vez la **nueva tarjeta** por delante del lector. **Nota** – Después de la primera tarjeta, es posible programar otras, repitiendo para cada una el punto 02 en un plazo de 10 segundos.
03. Para terminar el procedimiento, pasar 1 vez la **MASTER-2** por delante del lector, o esperar más de 10 segundos después de pasar la última tarjeta.

En cualquier momento se podrán memorizar más tarjetas repitiendo este procedimiento desde el comienzo.



## 7.5 Professional

### Programar (con la MASTER-ÚNICA) las tarjetas que activarán el mando N°1

01. Pasar 1 vez la **MASTER-ÚNICA** por delante del lector.
02. Pasar 1 vez la **nueva tarjeta** por delante del lector. **Nota** – Después de la primera tarjeta, es posible programar otras, repitiendo para cada una el punto 02 en un plazo de 10 segundos.
03. Para terminar el procedimiento, pasar 1 vez la **MASTER-ÚNICA** por delante del lector, o esperar más de 10 segundos después de pasar la última tarjeta.

En cualquier momento se podrán memorizar más tarjetas repitiendo este procedimiento desde el comienzo.



## 7.6 Professional

### Programar (con la MASTER-ÚNICA) las tarjetas que activarán el mando N°2

01. Pasar 1 vez la **MASTER-ÚNICA** por delante del lector.



## 7.7 Professional

### Programar (con la MASTER-ÚNICA) las tarjetas que activarán el mando N°1 y el mando N°2

01. Pasar 1 vez la **MASTER-ÚNICA** por delante del lector.
02. Pasar 3 veces la **nueva tarjeta** por delante del lector. **Nota** – Después de la primera tarjeta, es posible programar otras, repitiendo para cada una el punto 02 en un plazo de 10 segundos.
03. Para terminar el procedimiento, pasar 1 vez la **MASTER-ÚNICA** por delante del lector, o esperar más de 10 segundos después de pasar la última tarjeta.

En cualquier momento se podrán memorizar más tarjetas repitiendo este procedimiento desde el comienzo.



## 7.8 Professional

### Borrar (con una MASTER...) una o varias tarjetas memorizadas.

01. Pasar 2 veces la **MASTER(\*)** por delante del lector.
02. Pasar 1 vez la **tarjeta que se desea borrar** por delante del lector. **Nota** – Después de la primera tarjeta, es posible borrar otras, repitiendo para cada una el punto 02 en un plazo de 10 segundos.
03. Para terminar el procedimiento, pasar 1 vez la **MASTER** (la misma que se utilizó en el paso 01) por delante del lector, o esperar más de 10 segundos después de pasar la última tarjeta.

(\*) – Utilizar la MASTER-1, la MASTER-2 o la MASTER-ÚNICA según el grupo al cual pertenezca la tarjeta que se desea borrar.

En cualquier momento se podrán borrar más tarjetas repitiendo este procedimiento desde el comienzo.



## 7.9 Professional

### Contar (con una MASTER...) las tarjetas memorizadas

Este procedimiento permite contar el número de tarjetas memorizadas con el mando N°1, o con el mando N°2, o con ambos mandos.

01. Pasar 3 veces la **MASTER(\*)** por delante del lector. Éste emite secuencias de señales acústicas cuyos significados son los siguientes:
  - **3 señales = 1 centena** (ej.: 1 secuencia de 3 señales corresponde a 100 tarjetas).
  - **2 señales = 1 decena** (ej.: 3 secuencias de 2 señales corresponden a 30 tarjetas).
  - **1 señal = 1 unidad** (ej.: 4 secuencias de 1 señal corresponden a 4 tarjetas).
  - **10 secuencias de señales = cifra cero.**

(\*) – Utilizar la MASTER-1 o la MASTER-2 según el grupo (mando N°1 o N°2) al cual pertenezcan las tarjetas que se desean contar. Para contar todas las tarjetas memorizadas (independientemente del mando que activen) utilizar la MASTER-ÚNICA.



## 7.10 Professional

### Limitar (con una MASTER...) el uso de una tarjeta a un determinado número de usos

A cada tarjeta se asocia un contador que baja automáticamente cada vez que se utiliza la tarjeta; cuando el contador llega a cero, la tarjeta se desactiva. El número de usos programado de fábrica es infinito. Con este procedimiento es posible programar un número límite de usos de una tarjeta. El máximo valor límite asociable es 999; un valor superior equivaldrá al uso ilimitado.

01. Pasar 4 veces la **MASTER(\*)** por delante del lector. Después de 2 segundos, el lector emite 3 señales acústicas y habilita las centenas.
02. Pasar la tarjeta deseada por delante del lector un número de veces igual a las **centenas** de unidades que se deseen programar (10 pasos = uso ilimitado).
03. Después de 2 segundos, el lector emite 2 señales acústicas y habilita las decenas.
04. Pasar la tarjeta deseada por delante del lector un número de veces igual a las **decenas** de unidades que se deseen programar.
05. Después de 2 segundos, el lector emite 1 señal acústica y habilita las unidades.
06. Pasar la tarjeta deseada por delante del lector un número de veces igual a las **unidades** que se deseen programar.

(\*) – Utilizar la MASTER-1 o la MASTER-2 o la MASTER ÚNICA según el grupo (mando N°1 o N°2) al cual pertenezca la tarjeta cuyo uso se desea limitar.



## 7.11 Professional

### Bloquear la automatización utilizando cualquier tarjeta MASTER

01. Pasar 7 veces cualquiera tarjeta **MASTER** por delante del lector.
02. Poner delante del lector la misma **MASTER** que se utilizó en el punto 01 y mantenerla en posición; esperar hasta que el lector emita 1 señal acústica.
03. Después de la señal acústica, sacar la tarjeta del lector. **Nota** – Si el procedimiento se ejecuta correctamente, el lector emite 3 señales acústicas.



## 7.12 Professional

### Desbloquear la automatización utilizando cualquier tarjeta MASTER

01. Pasar 7 veces cualquiera tarjeta **MASTER** por delante del lector.
02. Poner delante del lector la misma **MASTER** que se utilizó en el punto 01 y mantenerla en posición; esperar hasta que el lector emita 2 señales acústicas.
03. Después de la señal acústica, sacar la tarjeta del lector. **Nota** – Si el procedimiento se ejecuta correctamente, el lector emite 3 señales acústicas.



## 7.13 Professional

### Borrar toda la memoria utilizando cualquier tarjeta MASTER

Este procedimiento borra todos los datos contenidos en la memoria BM del lector, incluidas las tarjetas “MASTER” programadas al comienzo.

01. Pasar 5 veces cualquiera tarjeta **MASTER** por delante del lector.
02. Esperar hasta que el lector emita 3 señales acústicas.
03. Después de la tercera señal, acercar al lector la misma **MASTER** del punto 01 y mantenerla en posición.
04. Esperar hasta que el lector emita 5 señales acústicas.
05. Después de la quinta señal acústica, sacar rápidamente la **MASTER** del lector: el dispositivo emite 3 señales acústicas y luego 5 parpadeos lentos para indicar que la memoria está vacía.
06. Por último, ejecutar de nuevo el procedimiento de “adquisición de los dispositivos conectados a la central”, tomando como referencia el manual de la central.

Después del procedimiento será necesario programar el dispositivo nuevamente. **Nota** – Al comienzo de la nueva programación será posible elegir de nuevo el modo que se desea adoptar para reprogramar el dispositivo (“Easy” o “Professional”).

.....  
**IMPORTANTE – Otras funciones pertenecientes al modo “Professional” se describen en el capítulo 8.**

## 8 - AHONDAMIENTOS – PROCEDIMIENTOS COMUNES A AMBOS MODOS DE PROGRAMACIÓN, “EASY” Y “PROFESSIONAL”

### 8.1 - Memorizar una nueva tarjeta mediante una segunda tarjeta ya programada

Para este procedimiento es necesario tener una tarjeta “vieja”, ya programada, cuyos mandos (mando N°1, o mando N°2, o mando N°1 y mando N°2) serán adquiridos por la nueva tarjeta.

01. Poner la nueva tarjeta delante del lector y mantenerla en posición durante al menos 5 segundos. Sacar la tarjeta.
02. Pasar 3 veces una tarjeta vieja ya programada por delante del lector.
03. Pasar 1 vez la nueva tarjeta por delante del lector.

Para memorizar otra tarjeta, repetir el procedimiento desde el comienzo.

### 8.2 - Borrar toda la memoria

Este procedimiento borra todos los datos contenidos en la memoria BM del lector, incluidas las tarjetas “MASTER” programadas anteriormente.

01. Pulsar de manera prolongada la tecla “**T**” (**fig. 7**) en el lector; el Led “**L1**” permanece encendido 3 segundos, luego emite 3 parpadeos y...
02. ...soltar la tecla exactamente durante el tercer parpadeo. A los pocos instantes, el Led “**L1**” emite una serie de parpadeos y, después de unos segundos, si el procedimiento se ejecutó correctamente, el lector emite 3 señales acústicas y 5 parpadeos lentos para confirmar que la memoria está vacía.
03. Por último, ejecutar de nuevo el procedimiento de “adquisición de los dispositivos conectados a la central”, tomando como referencia el manual de la central.

Después del procedimiento será necesario programar el dispositivo nuevamente. **Nota** – Al comienzo de la nueva programación será posible elegir de nuevo el modo que se desea adoptar para reprogramar el dispositivo (“Easy” o “Professional”).

### 8.3 - Cambiar el mando de maniobra asignado a una tarjeta (con los procedimientos 8.3.1, 8.3.2, 8.3.3)

Esta función permite cambiar el mando de maniobra asignado en fábrica a una tarjeta (ver el apartado 5.2), eligiendo el nuevo mando en la columna “Mando de maniobra” de la **Tabla 4**. **¡Atención!** – Algunos mandos podrían ser diferentes de aquellos gestionados por la central a la que está conectado el lector (ver el manual de instrucciones de la central).

#### 8.3.1 - **Procedimiento para cambiar el mando de maniobra N°1 o N°2, con una tarjeta programada para activar UN SOLO MANDO**

01. Pasar por delante del lector **la tarjeta cuyo mando de maniobra se desea modificar**: el lector emite una señal acústica e inmediatamente activa la maniobra; simultáneamente el Led “L1” (fig. 7) emite algunos parpadeos, seguidos de una pausa, para señalar el tipo de maniobra en ejecución.
02. Seleccionar en la **Tabla 4** la nueva maniobra y tomar nota de los parpadeos del Led “L1” asociados a esta maniobra.
03. Pulsar la tecla “T” (una o varias veces) para ver la lista de mandos disponibles hasta seleccionar el mando de maniobra elegido en el punto 02 (cada vez que se pulsa la tecla, el Led “L1” emite un parpadeo más).
04. Pasar por delante del lector la tarjeta utilizada en el punto 01: el lector emite una señal acústica e inmediatamente activa la nueva maniobra; simultáneamente el Led “L1” emite algunos parpadeos, seguidos de una pausa, para señalar la nueva maniobra configurada.

#### 8.3.2 - **Procedimiento para cambiar el mando de maniobra N°1, con una tarjeta programada para activar AMBOS MANDOS**

01. Poner delante del lector **la tarjeta cuyo mando de maniobra se desea modificar** y mantenerla en posición: el lector emite una señal acústica; después de 1 segundo emite otra señal e inmediatamente activa la maniobra; simultáneamente el Led “L1” (fig. 7) emite algunos parpadeos, seguidos de una pausa, para señalar el tipo de maniobra en ejecución.
02. Seleccionar en la **Tabla 4** la nueva maniobra y tomar nota de los parpadeos del Led “L1” asociados a esta maniobra.
03. Pulsar la tecla “T” (una o varias veces) para ver la lista de mandos disponibles hasta seleccionar el mando de maniobra elegido en el punto 02 (cada vez que se pulsa la tecla, el Led “L1” emite un parpadeo más).
04. Poner delante del lector la tarjeta utilizada en el punto 01 y mantenerla en posición: el lector emite una señal acústica; después de 1 segundo emite otra señal e inmediatamente activa la nueva maniobra. El Led “L1” emite algunos parpadeos, seguidos de una pausa, para señalar la nueva maniobra configurada.

**TABLA 4 - Mandos de maniobra asociables al mando N°1 o al mando N°2 de una tarjeta**

Señal Led “L1”	Mando de maniobra
1 parpadeo + pausa	PASO-PASO (asociado de fábrica al <u>mando N°1</u> )
2 parpadeos + pausa	APERTURA
3 parpadeos + pausa	CIERRE
4 parpadeos + pausa	APERTURA PARCIAL (asociado de fábrica al <u>mando N°2</u> )
5 parpadeos + pausa	PARADA
6 parpadeos + pausa	LUZ DE CORTESÍA

### 8.3.3 - Procedimiento para cambiar el mando de maniobra N°2, con una tarjeta programada para activar **AMBOS MANDOS**

01. **a)** - Pasar por delante del lector **la tarjeta cuyo mando de maniobra se desea cambiar**: a la emisión de una señal acústica, alejarse inmediatamente la tarjeta del lector; luego...  
**b)** - (en un plazo de 2 segundos) pasar de nuevo la tarjeta por delante del lector: éste emite una señal acústica y activa inmediatamente la maniobra; simultáneamente el Led "**L1**" (**fig. 7**) emite algunos parpadeos, seguidos de una pausa, para señalar el tipo de maniobra ejecutada.
02. Seleccionar en la **Tabla 4** la nueva maniobra y tomar nota de los parpadeos del Led "**L1**" asociados a esta maniobra.
03. Pulsar la tecla "**T**" (una o varias veces) para ver la lista de mandos disponibles hasta seleccionar el mando de maniobra elegido en el punto 02 (cada vez que se pulsa la tecla, el Led "**L1**" emite un parpadeo más).
04. **a)** - Pasar por delante del lector la tarjeta utilizada en el punto 01: a la emisión de una señal acústica, alejarse inmediatamente la tarjeta del lector; luego...  
**b)** - (en un plazo de 2 segundos) pasar de nuevo la tarjeta por delante del lector: éste emite una señal acústica y activa inmediatamente la maniobra; simultáneamente el Led "**L1**" (**fig. 7**) emite algunos parpadeos, seguidos de una pausa, para señalar la nueva maniobra configurada.

## 9 - USO DE LAS TARJETAS DESPUÉS DE LA MEMORIZACIÓN – GUÍA PARA EL INSTALADOR Y EL USUARIO FINAL

- El uso del lector ETPB se basa en el reconocimiento del código unívoco de cada tarjeta memorizada en el lector. Al acercarse al lector, la tarjeta le envía su código de identificación; si el código se encuentra en la memoria de ETPB, el lector envía a la central el mando N°1 o el mando N°2 (es decir, el mando asociado a esa tarjeta durante la programación). Si la tarjeta no está memorizada, el lector ETPB emite un aviso acústico para señalar el error.
- **Para el mando de la automatización, el usuario debe tener una o más tarjetas memorizadas; además, debe recibir del instalador la siguiente información para utilizar la tarjeta correctamente:**
  - **NÚMERO DEL MANDO:** mando que el lector envía a la automatización cuando la tarjeta se pasa por delante del lector: **mando N°1**, o **mando N°2**, o **ambos mandos** (N°1 y N°2).
  - **TIPO DE MANIOBRA:** maniobra (ej. **apertura parcial u otra...**) asociada al número del mando (N°1 o N°2).
  - **MODO DE USO DE LA TARJETA:** modo en que la tarjeta se debe pasar por delante del lector. Los modos de uso se diversifican en función de la cantidad de mandos que una tarjeta puede transmitir a la automatización mediante el lector.

### ● Cómo utilizar una tarjeta que puede activar UN solo mando

#### • **Para enviar el mando N°1**

Pasar la tarjeta por delante del lector: éste emite una señal acústica y activa inmediatamente la maniobra.

#### • **Para enviar el mando N°2**

Pasar la tarjeta por delante del lector: éste emite una señal acústica y activa inmediatamente la maniobra.



## ● Cómo utilizar una tarjeta que puede activar DOS mandos

### • Para enviar el mando N°1

Poner la tarjeta delante del lector y mantenerla en posición: el lector emite una señal acústica; después de 1 segundo emite otra señal e inmediatamente activa la maniobra.

### • Para enviar el mando N°2

1) - Pasar la tarjeta por delante del lector: a la emisión de una señal acústica, alejar inmediatamente la tarjeta del lector; luego...

2) - (en un plazo de 2 segundos) pasar de nuevo la tarjeta por delante del lector: éste emite una señal acústica y activa inmediatamente la maniobra.

- Si el Led “L2” parpadea, consultar la **Tabla 5** para saber el significado de la señalización.

## 10 - PRUEBA

Al finalizar la programación, es necesario verificar el correcto funcionamiento del lector y de las tarjetas memorizadas, de la siguiente manera.

- a) - Comprobar que se haya seguido el capítulo 1 - Advertencias y precauciones generales.
- b) - Leer el capítulo 9 para informarse sobre el uso correcto de las tarjetas y el lector.

**TABLA 5** - Señales del Led “L2” acerca del funcionamiento del lector en el sistema “BlueBus”

Señal Led “L2”	Significado
Encendido fijo	Lector sincronizado con el sistema “BlueBus”.
3 parpadeos + 1 pausa	Lector NO sincronizado con el sistema “BlueBus”.
2 parpadeos + 1 pausa	Lector sin dirección (sin jumper)

- c) - Pasar por delante del lector una tarjeta válida (memorizada en el lector) y observar si la automatización sigue el mando enviado. Si no lo sigue, consultar el capítulo 11 - “Qué hacer si... Solución de problemas”.
- d) - Realizar la verificación indicada en el punto anterior utilizando otras tarjetas memorizadas en el lector.

## 11 - QUÉ HACER SI... (solución de problemas)

- **Si el Led “L2” parpadea (ver la Tabla 5):** comprobar que el jumper esté bien puesto; si es necesario, sincronizar el lector con el sistema “Bluebus” ejecutando de nuevo el procedimiento de “adquisición de los dispositivos conectados a la central” descrito en el manual de la central de mando.
- **(en presencia de varios lectores conectados a una misma central de mando). Si después de pasar una tarjeta válida por delante de un lector el mando no se ejecuta y el Led “L2” empieza a parpadear:** comprobar la dirección de cada dispositivo “BlueBus” conectado (ver el punto 06 del apartado 4.2).
- **Si después de pasar una tarjeta válida por delante de un lector éste no emite ninguna señal acústica:** comprobar que la memoria BM esté introducida correctamente.
- **Si después de pasar una tarjeta válida por delante de un lector el Led “L1” parpadea para indicar que el lector ha activado el mando pero la automatización no ejecuta la maniobra:** ejecutar de nuevo el procedimiento de “adquisición de los dispositivos conectados a la central” (ver el punto 08 del apartado 4.2); asegurarse de que la automatización no esté bloqueada: eventualmente desbloquearla con el procedimiento 7.13.
- **Si el teclado no se enciende:** comprobar con un instrumento adecuado que haya tensión (vdc) en la red “BlueBus”.

## 12 MANTENIMIENTO DEL PRODUCTO

El producto no necesita mantenimientos particulares; se recomienda limpiar las superficies externas con un paño suave apenas humedecido en agua. No utilizar sustancias agresivas o abrasivas, como detergentes, solventes y afines.

## 13 - ELIMINACIÓN DEL PRODUCTO

Este producto forma parte de la automatización; por consiguiente, deberá ser eliminado junto con ésta. • Al igual que para las operaciones de instalación, también al final de la vida útil de este producto, las operaciones de desguace deben ser efectuadas por personal experto. • Este producto está formado por varios tipos de materiales, algunos de los cuales pueden reciclarse. Infórmese sobre los sistemas de reciclado o eliminación previstos por las normativas vigentes en su territorio para esta categoría de producto. **¡Atención!** – Algunas piezas del producto pueden contener sustancias contaminantes o peligrosas que, si se las abandona en el medio ambiente, podrían provocar efectos perjudiciales para el medio ambiente y para la salud humana. • Como indica el símbolo que aparece al lado, está prohibido eliminar este producto junto con los desechos domésticos. Realice la “recogida selectiva” para la eliminación, según los métodos previstos por las normativas vigentes en su territorio, o bien entregue el producto al vendedor en el momento de comprar un nuevo producto equivalente. **¡Atención!** – Los reglamentos locales pueden prever sanciones importantes en caso de eliminación ilegal de este producto. • El material del embalaje del producto debe eliminarse de conformidad con la normativa local.



## CARACTERÍSTICAS TÉCNICAS

**ADVERTENCIAS:** • Todas las características técnicas indicadas se refieren a una temperatura ambiente de 20 °C ( $\pm 5$  °C). • Nice S.p.a. se reserva el derecho de modificar el producto en cualquier momento en que lo considere necesario, manteniendo las mismas funciones y el mismo uso previsto.

- **Tipo:** sistema de control de accesos con el uso de tarjetas (utilizar los modelos disponibles en el catálogo de productos Nice) con transponder pasivo a 125 kHz, 32 bits sólo lectura.
- **Tecnología adoptada:** sistema “BlueBus”.
- **Iluminación:** Led rojo sobre el frente del lector.
- **Longitud del cable de conexión:** consultar el manual de instrucciones de la central de mando para informarse sobre la conexión de un dispositivo “BlueBus” a la central.
- **Alimentación:** el lector es alimentado por la central de mando a través del sistema de comunicación y conexión “Bluebus”.
- **Corriente absorbida:** 2 unidades “BlueBus”.
- **Distancia de detección:** con la tarjeta delante del lector, a una distancia máxima de 4 cm.
- **Capacidad de la memoria:** 1 tarjeta BM1000 contiene un máximo de 255 códigos (tarjetas). Es posible instalar otras tarjetas con distintas capacidades de memoria.
- **Aislamiento:** clase III
- **Grado de protección del contenedor:** IP 54
- **Temperatura de funcionamiento:** de -20 °C a +55 °C
- **Empleo en atmósfera ácida, salobre o con riesgo de explosión:** No
- **Montaje:** vertical sobre una pared.
- **Medidas (mm):** 70 x 70 x h 26
- **Peso:** 265 g

## 1 - ALLGEMEINE HINWEISE UND VORSICHTS- MASSNAHMEN

**ACHTUNG!** ● **Wichtige Sicherheitsanweisungen.** ● **Für die Sicherheit der Personen ist es wichtig, diese Anweisungen zu beachten; Bitte lesen Sie deshalb vor Beginn der Arbeit dieses Handbuch aufmerksam durch.** ● **Bitte bewahren Sie diese Anleitung gut auf.** ● Bevor Sie mit der Installation beginnen, muss überprüft werden, ob das vorliegende Produkt für die gewünschten Zwecke geeignet ist (siehe „Einsatzgrenzen“ und die „Technischen Eigenschaften“ des Produkts). Wenn das Produkt nicht geeignet sein sollte, dürfen Sie NICHT mit der Installation fortfahren. ● Handhaben Sie das Produkt während der Installation mit Vorsicht und vermeiden Sie Quetschungen, Stöße, Herunterfallen sowie den Kontakt mit Flüssigkeiten aller Art. Das Produkt darf nicht in die Nähe von Hitzequellen gelangen und keinen offenen Flammen ausgesetzt werden. All diese Handlungen können das Produkt beschädigen oder Ursache für Störungen oder Gefahrensituationen sein. Falls es dennoch passieren sollte, unterbrechen Sie die Installation und wenden Sie sich an den Nice-Kundenservice. ● An keinem der Produktteile dürfen Änderungen vorgenommen werden. Nicht zulässige Arbeiten können nur Betriebsstörungen verursachen. Der Hersteller übernimmt keinerlei Haftung für Schäden, die durch willkürliche Änderungen am Produkt entstanden sind. ● Das Produkt darf nicht von Personen (einschließlich Kindern) mit eingeschränkten physischen, sensorischen oder geistigen Fähigkeiten oder mangelnder Erfahrung bzw. Kenntnis verwendet werden. ● Das Produkt kann nicht als absolutes Einbruchschutzsystem betrachtet werden. Wenn Sie sich noch wirksamer schützen möchten, ist es erforderlich, die Automation mit anderen Sicherheitssystemen zu vervollständigen.

## 2 - PRODUKTBESCHREIBUNG UND EINSATZZWECK

**ETPB** ist ein **Lesegerät für Transponderkarten** aus der Produktreihe **ERA**. Es ist zur Steuerung von Automatisierungen an Türen, Toren, Garagentoren usw. bestimmt und erlaubt die Prüfung und den Zutritt zu Orten oder Einrichtungen nur autorisierten Personen, die im Besitz einer gültigen Karte sind. Die Vorrichtung funktioniert nur mit Nice-Produkten mit „BlueBus“-Technologie, welche die Steuervorrichtungen unterstützt. **ACHTUNG! – Jeder andere Verwendung als hier beschrieben und unter Umgebungsbedingungen, die sich von den in diesem Handbuch beschriebenen unterscheidet, ist unsachgemäß und verboten!** ● Die Vorrichtung kommuniziert mit der Steuerung und weiteren eventuell vorhandenen Vorrichtungen über das „BlueBus“-System. Dieses System benötigt „parallele“ Anschlüsse ohne Polarität mit 2 Leitern für Strom und Kommunikationssignale. An ein und derselben „BlueBus“-Steuerung können bis zu 4 der folgenden Geräte angeschlossen werden: ETPB (Lesegerät für Transponderkarten), EDSB, EDSIB (Nummern-Digitaltastaturen); jede Vorrichtung muss eine eigene Adresse haben (die mit einem Jumper erstellt wird – siehe **Tabelle 1**), damit die Steuerung die einzelnen Vorrichtungen während des „Selbstlernverfahrens der angeschlossenen Vorrichtungen“ richtig zuordnen kann. Zur Sicherheit gegen den eventuellen Austausch einer Vorrichtung in betrügerischer Absicht erstellt die Steuerung während des Selbstlernvorgangs eine zusätzliche, codierte Verbindung mit jeder vorhandenen Vorrichtung, um sie damit an sich zu binden. Weitere Informationen zum „BlueBus“-System finden Sie im Handbuch der Steuerung. ● ETPB erlaubt nur dann die Übersendung eines Steuerbefehls an die Automatisierung, wenn der Benutzer im Besitz einer im Lesegerät gespeicherten Karte ist, die für die Übersendung des gewünschten Steuerbefehls gültig ist; die Übersendung erfolgt durch die Annäherung der Karte an das Lesegerät. Die installierte Speicherkarte (Mod. BM1000) ermöglicht die Speicherung von bis zu 255 Karten. Die Verbindungen zwischen den Karten und Steuerungen werden während der Programmierungsphase mit den in diesem Handbuch beschriebenen Vorgehensweisen gespeichert. Alternativ kann die Speicherkarte auch entnommen und direkt mit den Programmierungseinheiten Nice (O-BOX oder MOU) programmiert werden.

### 3 - VERWENDUNGSBESCHRÄNKUNGEN DES PRODUKTS

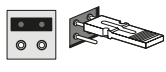
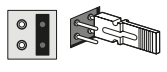
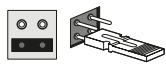
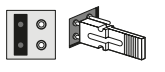
● Das Produkt kann nur an einer Steuerung der Firma Nice Spa mit „BlueBus“-Technologie angeschlossen werden, welche die Steuervorrichtungen unterstützt. ● An einer „BlueBus“-Steuerung können bis zu 4 der folgenden Geräte angeschlossen werden: ETPB (Lesegerät für Transponderkarten), EDSB, EDSIB (Nummern-Digitaltastaturen). ● Vor Beginn der Installation lesen Sie bitte das Kapitel „Technische Eigenschaften“ des Produkts, um zu prüfen, ob die Bedingungen, unter denen das Produkt eingesetzt werden soll, den vom Hersteller festgelegten entspricht.

### 4 - INSTALLATION UND ELEKTRISCHE ANSCHLÜSSE

#### 4.1 - Hinweise vor der Installation

● Das ETPB muss an einer senkrechten Wand installiert werden. ● Das ETPB muss in einer Umgebung installiert werden, die mit dem Gesamtraumbedarf kompatibel ist; die Umgebung muss einen leichten Zugriff für Nutzung und Wartung des Produkts gewährleisten. ● Das ETPB muss in geschützter und stoßsicherer Position angebracht werden. ● Zur einfacheren Annäherung der Karte an das Lesegerät, das ETPB in einer Mindesthöhe von 1,5 m vom Erdboden positionieren. ● Das ETPB muss auf einer soliden Oberfläche mit stabiler Befestigungsmöglichkeit installiert werden.

TABELLE 1 - Adressierung der installierten Vorrichtungen

Adresse - 1	Adresse - 2	Adresse - 3	Adresse - 4
			

#### 4.2 - Installationsschritte

● **01.** Lesen Sie das Handbuch der Steuerung und informieren Sie sich über die Eigenschaften der zu verwendenden Elektrokabel. ● **02.** Lesen Sie die Hinweise zu Beginn des Kapitels 4, um die Position festzulegen, an der die vorgesehenen Produkte angebracht werden sollen. ● **03.** Bereiten Sie Schutzschläuche für die Stromkabel vor. ● **04.** Befestigen Sie die Vorrichtung wie in den **Abb. 1, 2, 3, 4, 5** gezeigt. ● **05. ACHTUNG! – Alle Anschlüsse müssen bei ausgeschalteter Stromversorgung ausgeführt werden.** Die Elektrokabel durch die Schläuche führen und die Vorrichtungen „parallel“ (**Abb. 6**) schalten: Eine Polung ist nicht zu beachten. ● **06.** Sind mehrere Vorrichtungen vorhanden (bis zu 4 Vorrichtungen, darunter auch eventuelle Nummern-Digitaltastaturen EDSB / EDSIB) muss an dieser Stelle der Installation die Position des Jumpers für jede dieser Vorrichtungen geändert werden (**Abb. 7**), um eine Adresse in **Tabelle 1** zu wählen. **Achtung!** – Jede Vorrichtung muss eine eigene Adresse haben, die sich von denen der anderen Vorrichtungen unterscheidet. ● **07.** Die Steuerung nun mit Strom versorgen: die LED „L2“ (**Abb. 7**) blinkt und zeigt damit den Typ und den Zustand der in der Vorrichtung installierten Speicherkarte BM an (in **Tabelle 2** sind die Bedeutungen der Blinklichter aufgeführt), eventuell gefolgt von 5 Mal langsames Blinken, wenn der Speicher leer ist. ● **08.** Im Handbuch der Steuerung das „Selbstlernverfahren der an die Steuerung angeschlossenen Vorrichtungen“ herausuchen und ausführen (damit kann die Steuerung jede verbundene „BlueBus“-Vorrichtung erkennen). ● **09.** Die **Programmierung** der Vorrichtung entsprechend der Anweisungen in den Kapiteln 5, 6, 7, 8 ausführen. ● **10.** Nach Abschluss der Programmierung im Kapitel 9 den Gebrauch der Vorrichtung nachlesen; dann den in Kapitel 10 beschriebenen **Testvorgang** durchführen, um die einwandfreie Funktion der installierten Vorrichtungen zu prüfen. ● **11.** Abschließend die Installation wie in den **Abb. 8** und **9** beenden.

### 5 - WICHTIGE HINWEISE ZUR PROGRAMMIERUNG

#### 5.1 - Zwei Programmierarten: „Easy“ und „Professional“

● Die ETPB-Programmierung kann auf zwei komplett unterschiedliche und sich er-

gänzende Arten erfolgen:

- **Programmierung „EASY“** Dabei handelt es sich um eine einfache Programmierung, die nur die Basisvorgänge für die Speicherung und Löschung der Karten umfasst (siehe Kapitel 6).
- **Programmierung „PROFESSIONAL“**. Es ist eine komplexere Programmierung mit vielen Funktionen, von denen einige hauptsächlich für professionelle Anwendungen geeignet sind. Die zu dieser Programmierung gehörenden Verfahren (siehe

**TABELLE 2** - Signale der Led „L2“ in Bezug auf die BM-Speicherkarte

Signale der LED „L2“	Bedeutung
<b>1 Mal Blinken (*)</b>	BM60
<b>2 Mal Blinken (*)</b>	BM250
<b>3 Mal Blinken (*)</b>	BM1000
<b>4 Mal Blinken (*)</b>	Es wurden ungültige Karten gespeichert
<b>5 Mal Blinken (*)</b>	Fehler beim Lesen der Speicherkarte
(*) – Wenn auf diese Blinksignale <b>5 (langsame) Blinksignale</b> folgen, bedeutet das, dass der Speicher leer ist.	

**TABELLE 3** - Signaltöne des Lesegeräts während der Programmierung

Signaltöne	Bedeutung
<b>1 Ton</b>	Zeigt an, dass eine <u>gültige Karte</u> am Lesegerät vorbeigeführt wird.
<b>2 Töne in kurzer Folge + 1 Ton</b>	Zeigt an, dass eine <u>ungültige Karte</u> am Lesegerät entlanggeführt wird.
<b>3 Töne</b>	Zeigt den korrekten Abschluss des Programmierverfahrens an.
<b>5 Töne</b>	Fehler während der Ausführung einer Programmierung.
<b>Serie von Tönen</b>	Zeigt an, dass ein Fehler gemacht wurde und dass die Programmierungsprozedur nicht erfolgreich war.

Kapitel 7) ermöglichen die Speicherung von bis zu 255 Karten im Lesegerät (die Anzahl kann je nach installierter Speicherkarte variieren). • Für die „Professional“-Programmierung müssen eine oder zwei als „MASTER“ definierte Karten verwendet werden. **ACHTUNG! – Die „MASTER“-Karten müssen als erste im Lesegerät gespeichert werden.**

- Die Programmierungen „Easy“ und „Professional“ unterscheiden sich nur in der Programmierungsphase und den Leistungen; im Gebrauch durch den Nutzer unterscheiden sie sich kaum.
- **Die Programmierungen „Easy“ und „Professional“ stellen Alternativen dar:** d.h. das eine der beiden Modalitäten mit der Programmierung der ersten Karte ausgewählt werden muss. Wenn die Programmierungsmodalität bereits ausgewählt wurde (= Speicher von mindestens einer Programmierung besetzt) und diese später geändert werden soll (von „Easy“ zu „Professional“ oder umgekehrt), muss zunächst der gesamte ETPB-Speicher gelöscht werden.
- Während der Programmierung gibt die Vorrichtung Signaltöne ab, um die richtige Funktion bzw. einen Fehler anzuzeigen. Bitte lesen Sie in **Tabelle 3** die verschiedenen Bedeutungen dieser Signaltöne nach.

## 5.2 - Verhältnis zwischen verfügbaren Befehlen und Gebrauchsmodi der Karten

- Das ETPB-Lesegerät kann zwei verschiedene Befehle an die Steuerung senden, die in dieser Gebrauchsanleitung allgemein **Befehl Nr. 1** und **Befehl Nr. 2** genannt werden. Jedem Befehl wird im Werk ein **Bewegungsbefehl** zugeordnet. Die Zuordnungen sind die folgenden:
  - Dem **Befehl Nr. 1** wird der Bewegungsbefehl „**Schrittbetrieb**“ zugeordnet;
  - Dem **Befehl Nr. 2** wird der Bewegungsbefehl „**Teilöffnung**“ zugeordnet;**Hinweis** – Die werkseitig zugeordneten Bewegungsbefehle können jederzeit durch andere Befehle ersetzt werden (siehe **Tabelle 4** im Kapitel 8), indem die Prozeduren im Abschnitt 8.3 befolgt werden.
- **Eine Karte kann mit den folgenden Befehlen gespeichert werden:**  
**A – mit dem Befehl Nr. 1;**

- B – mit dem Befehl Nr. 2;
- C – mit beiden Befehlen (Nr. 1 und Nr. 2).



## Kapitel 6

### PROGRAMMIERUNG DER KARTEN IM „EASY“-MODUS

#### VERFAHREN

##### 6.1 Easy



Eine Karte programmieren, die nur für den Befehl Nr. 1 oder nur für den Befehl Nr. 2 oder für beide Befehle (Nr. 1 und Nr. 2) gültig ist.

**WICHTIG** – Wenn die Programmierung beendet ist, kann sie nicht wiederholt werden. Um weitere Karten zu programmieren, muss die Prozedur des Abschnitts 8.1 verwendet werden.

- Die Taste „T“ (Abb. 7): Das Lesegerät gibt in regelmäßigem Abstand Signaltöne ab; innerhalb von 30 Sekunden ...
- ... den Befehl unter den vorgeschlagenen Optionen auswählen und die angegebene Aktion ausführen:
  - um den **Befehl Nr. 1 zu programmieren** = **1 Mal** die neue Karte am Lesegerät vorbeiführen.
  - um den **Befehl Nr. 2 zu programmieren** = **2 Mal** die neue Karte am Lesegerät vorbeiführen.
  - um die **Befehle Nr. 1 und Nr. 2 zu programmieren** = **3 Mal** die neue Karte am Lesegerät vorbeiführen.
- Nach der ersten Karte können weitere programmiert werden, indem Punkt 02 für jede einzelne innerhalb von 10 Sekunden nach dem Entlangführen der letzten

Karte wiederholt wird. **Hinweis** – Für jede neue Karte kann aus drei Optionen die gewünschte ausgewählt werden.

- Um die Prozedur abzuschließen, nach dem Vorbeiführen der letzten Karte mehr als 10 Sekunden warten.

**WICHTIG** – Weitere in der Betriebsart „Easy“ programmierbare Funktionen sind in Kapitel 8 aufgeführt.



## Kapitel 7

### PROGRAMMIERUNG DER KARTEN IM „PROFESSIONAL“-MODUS

- Mit den Prozeduren im „Professional“-Modus kann für jeden Benutzer (oder jede Benutzergruppe) eine eigenen Karte programmiert werden; dadurch können später je nach den momentanen Bedürfnissen einfach Karten hinzugefügt oder entfernt werden.
- Mit diesen Prozeduren kann eine beliebige Anzahl an Karten programmiert (bis zu 255, je nach installiertem BM-Speicher), gelöscht, gezählt, der gesamte Speicher gelöscht und andere spezifische Funktionen verwendet werden.
- Die Ausführung der Prozeduren im „Professional“-Modus erfordert die Verwendung von einer oder zwei „MASTER“-Karten. Eine „MASTER“-Karte ist eine normale Karte, die zwingend zu Beginn der „Professional“-Programmierung programmiert werden muss, wenn der BM-Speicher noch leer ist. Es können die folgenden „MASTER“ geschaffen werden:
  - Karte „MASTER-1“ und „MASTER-2“: sie stellen Alternativen zur „MASTER UNICA“ dar. Die „MASTER-1“ dient zur Speicherung des Befehls Nr. 1; die „MASTER-2“ dient zur Speicherung des Befehls Nr. 2.
  - „MASTER UNICA“-Karte: sie stellt eine Alternative zu „MASTER-1“ und „MASTER-2“ dar. Sie dient dazu, in einer Karte den Befehl Nr. 1 oder den Befehl Nr. 2 oder beide Befehle (Nr. 1 und Nr. 2) zu speichern.

**WICHTIG** – Die Karten „MASTER-1“ und „MASTER-2“ dienen dazu, zwei verschiedenen Kartengruppen zu erschaffen (die Karten einer Gruppe können nur einen der beiden verfügbaren Befehle aktivieren). **Falls** nicht zwei Kartengruppen benötigt werden, kann alternativ eine einzige Karte, die als „MASTER UNICA“ bezeichnet wird, programmiert werden, welche die Aufgaben der „MASTER-1“ und der „MASTER-2“ übernimmt; zusätzlich können Karten zum Aktivieren beider Befehle erzeugt werden.

- Eine „MASTER“-Karte kann nur für die Programmierung der anderen Karten, zum Löschen der Programmierung und zum Sperren oder Entsperrern der Automatisierung verwendet werden, d.h. sie kann eine Automatisierung nicht wie eine normale Karte steuern. **ACHTUNG!** – **Die erzeugten „MASTER“-Karten nicht verlieren.**

## — Programmierung der „MASTER“-Karten —

Die Programmierung der „MASTER“-Karte ist der erste auszuführende Schritt: Sie kann vorgenommen werden, wenn der Speicher des Lesegeräts noch leer ist; in der Praxis sind es die ersten Karten, die mindestens 5 Sekunden lang in die Nähe des Lesegeräts gehalten werden müssen. **ACHTUNG!** – **Zum Programmieren der „MASTER“ nur eine der verfügbaren Prozeduren verwenden (7.1 oder 7.2).**

### 7.1 Professional



Programmieren der **MASTER-1**-Karte (dient zum Speichern der Karten, die den Befehl Nr. 1 aktivieren) **und** der **MASTER-2**-Karte (dient zum Speichern der Karten, die den Befehl Nr. 2 aktivieren)

**ACHTUNG!** – Diese Prozedur ist eine Alternative zu der im Abschnitt 7.2 beschriebenen. Sie kann nur ausgeführt werden, wenn der Speicher des Lesegeräts leer ist.

01. Sicherstellen, dass der Speicher des Lesegeräts leer ist.
02. Eine **neue Karte (wird später zu „MASTER-1“)** vor das Lesegerät legen und sie mindestens 5 Sekunden lang in der Position halten. Nach 5 Sekunden gibt

- das Lesegerät 3 kurz aufeinander folgende Signaltöne und 1 einzelnen Ton ab.
03. Nach den Signaltönen die Karte vom Lesegerät trennen.
04. Eine **neue Karte (wird später zu „MASTER-2“)** vor das Lesegerät legen und sie mindestens 5 Sekunden lang in der Position halten. Nach 5 Sekunden gibt das Lesegerät 3 kurz aufeinander folgende Signaltöne und 1 einzelnen Ton ab.
05. Nach den Signaltönen die Karte vom Lesegerät trennen.

### 7.2 Professional



Die **MASTER UNICA** programmieren (sie dient dazu, die Karten zu speichern, die den Befehl Nr. 1 oder den Befehl Nr. 2 oder beide Befehle aktivieren)

**ACHTUNG!** – Diese Prozedur ist eine Alternative zu der im Abschnitt 7.1 beschriebenen. Sie kann nur ausgeführt werden, wenn der Speicher des Lesegeräts leer ist.

01. Sicherstellen, dass der Speicher des Lesegeräts leer ist.
02. Eine **neue Karte** vor das Lesegerät legen und sie mindestens 5 Sekunden lang in der Position halten. Nach 5 Sekunden gibt das Lesegerät 3 kurz aufeinander folgende Signaltöne und 1 einzelnen Ton ab.
03. Nach den Signaltönen die Karte vom Lesegerät trennen.
04. Erneut **dieselbe Karte** vor das Lesegerät legen und sie mindestens 5 Sekunden lang in der Position halten. Nach 5 Sekunden gibt das Lesegerät 3 kurz aufeinander folgende Signaltöne und 1 einzelnen Ton ab.
05. Nach den Signaltönen die Karte vom Lesegerät trennen.

## — Programmierung der normalen Karten —

### 7.3 Professional



(Mit der **MASTER-1**) die Karten programmieren, die den Befehl Nr. 1 steuern.

01. 1 Mal die **MASTER-1** vor dem Lesegerät entlangführen.

02. 1 Mal die **neue Karte** vor dem Lesegerät entlangführen. **Anmerkung** – Nach der ersten Karte können weitere programmiert werden, indem Punkt 02 für jede einzelne innerhalb von 10 Sekunden nach dem Entlangführen der letzten Karte wiederholt wird.
03. Zum Beenden des Vorgangs 1 Mal die **MASTER-1** vor dem Lesegerät entlangführen oder nach dem Entführen der letzten Karte mehr als 10 Sekunden warten.
- Weitere Karten können jederzeit gespeichert werden, indem der Vorgang von Anfang an wiederholt wird.



#### 7.4 Professional

##### (Mit der MASTER-2) die Karten programmieren, die den Befehl Nr. 2 steuern.

01. 1 Mal die **MASTER-2** vor dem Lesegerät entlangführen.
02. 1 Mal die **neue Karte** vor dem Lesegerät entlangführen. **Anmerkung** – Nach der ersten Karte können weitere programmiert werden, indem Punkt 02 für jede einzelne innerhalb von 10 Sekunden nach dem Entlangführen der letzten Karte wiederholt wird.
03. Zum Beenden des Vorgangs 1 Mal die **MASTER-2** vor dem Lesegerät entlangführen oder nach dem Entführen der letzten Karte mehr als 10 Sekunden warten.
- Weitere Karten können jederzeit gespeichert werden, indem der Vorgang von Anfang an wiederholt wird.



#### 7.5 Professional

##### (Mit der MASTER-UNICA) die Karten programmieren, die den Befehl Nr. 1 steuern.

01. 1 Mal die **MASTER-UNICA** vor dem Lesegerät entlangführen.
02. 1 Mal die **neue Karte** vor dem Lesegerät entlangführen. **Anmerkung** – Nach der ersten Karte können weitere programmiert werden, indem Punkt 02 für jede einzelne innerhalb von 10 Sekunden nach dem Entlangführen der letzten Karte wiederholt wird.



#### 7.6 Professional

##### (Mit der MASTER-UNICA) die Karten programmieren, die den Befehl Nr. 2 steuern.

01. 1 Mal die **MASTER-UNICA** vor dem Lesegerät entlangführen.
02. 2 Mal die **neue Karte** vor dem Lesegerät entlangführen. **Anmerkung** – Nach der ersten Karte können weitere programmiert werden, indem Punkt 02 für jede einzelne innerhalb von 10 Sekunden nach dem Entlangführen der letzten Karte wiederholt wird.
03. Zum Beenden der Prozedur 1 Mal die **MASTER-UNICA** vor dem Lesegerät entlangführen oder nach dem Vorbeiführen der letzten Karte mehr als 10 Sekunden warten.

Weitere Karten können jederzeit gespeichert werden, indem der Vorgang von Anfang an wiederholt wird.



#### 7.7 Professional

##### (Mit der MASTER-UNICA) die Karten programmieren, die den Befehl Nr. 1 und den Befehl Nr. 2 steuern.

01. 1 Mal die **MASTER-UNICA** vor dem Lesegerät entlangführen.
02. 3 Mal die **neue Karte** vor dem Lesegerät entlangführen. **Anmerkung** – Nach der ersten Karte können weitere programmiert werden, indem Punkt 02 für jede einzelne innerhalb von 10 Sekunden nach dem Entlangführen der letzten Karte wiederholt wird.
03. Zum Beenden der Prozedur 1 Mal die **MASTER-UNICA** vor dem Lesegerät ent-



langführen oder nach dem Vorbeiführen der letzten Karte mehr als 10 Sekunden warten.

Weitere Karten können jederzeit gespeichert werden, indem der Vorgang von Anfang an wiederholt wird.



## 7.8 Professional

### (Mit einem MASTER...) eine oder mehrere gespeicherte Karten löschen.

01. 2 Mal die **MASTER**(\*) vor dem Lesegerät entlangführen.
  02. 1 Mal die **zu löschende Karte** vor dem Lesegerät entlangführen. **Anmerkung** – Nach der ersten Karte können weitere gelöscht werden, indem Punkt 02 für jede einzelne innerhalb von 10 Sekunden nach dem Entlangführen der letzten Karte wiederholt wird.
  03. Zum Beenden des Vorgangs 1 Mal die **MASTER** (dieselbe, die im Schritt 01 verwendet wurde) vor dem Lesegerät entlangführen oder nach dem Entführen der letzten Karte mehr als 10 Sekunden warten.
- (\*) – Die MASTER-1, die MASTER-2 oder die MASTER-UNICA verwenden, je nachdem zu welcher Gruppe die zu löschende Karte gehört.

Weitere Karten können jederzeit gelöscht werden, indem der Vorgang von Anfang an wiederholt wird.



## 7.9 Professional

### (Mit einer MASTER...) die gespeicherten Karten zählen.

Mit dieser Prozedur kann die Anzahl der mit dem Befehl Nr. 1 oder mit dem Befehl Nr. 2 oder mit beiden Befehlen zusammen gespeicherten Karten gezählt werden.

01. 3 Mal die **MASTER**(\*) vor dem Lesegerät entlangführen. Dieses gibt Folgen von Signaltönen aus, welche die folgenden Bedeutungen haben:
  - **3 Töne = 1 Hunderter-Einheit** (z.B.: 1 Sequenz mit 3 Tönen entspricht 100 Karten).

- **2 Töne = 1 Zehner-Einheit** (z.B.: 3 Sequenzen mit 2 Tönen entsprechen 30 Karten).
- **1 Töne = 1 Einer-Einheit** (z.B.: 4 Sequenzen mit 1 Ton entsprechen 4 Karten).
- **10 Tonabfolgen = Ziffer Null.**

(\*) – Die MASTER-1 oder die MASTER-2 je nach Gruppe (Befehl Nr. 1 oder Nr. 2) verwenden, zu der die zu zählenden Karten gehören. Zum Zählern aller gespeicherten Karten (unabhängig vom Befehl, den sie aktivieren) die MASTER-UNICA verwenden.



## 7.10 Professional

### Die Verwendung einer Karte (mit einer MASTER...) auf eine bestimmte Anzahl von Verwendungen beschränken.

Jeder Karte ist ein Zähler zugeordnet, der automatisch jedes Mal heruntergesetzt wird, wenn die Karte verwendet wird; wenn der Zähler bei null ankommt, wird die Karte deaktiviert. Die Anzahl der werkseitig eingestellten Verwendungen ist begrenzt. Mit dieser Prozedur kann ein gewünschter Grenzwert für die Verwendung einer Karte programmiert werden. Der maximal zuweisbare Grenzwert beträgt 999; mit höheren Werten wird eine unbegrenzter Verwendung eingestellt.

01. 4 Mal die **MASTER**(\*) vor dem Lesegerät entlangführen. Nach 2 Sekunden gibt das Lesegerät 3 Signaltöne ab und aktiviert die Hunderter-Einheiten.
02. Dann die gewünschte Karten so viele Male vor dem Lesegerät vorbeiführen, wie es den **Hunderter-Einheiten** entspricht, die programmiert werden sollen (10 Mal vorbeiführen = unbegrenzte Verwendung).
03. Nach 2 Sekunden gibt das Lesegerät 2 Signaltöne ab und aktiviert die Zehner-Einheiten.
04. Dann die gewünschte Karten so viele Male vor dem Lesegerät vorbeiführen, wie es den **Zehner-Einheiten** entspricht, die programmiert werden sollen.
05. Nach 2 Sekunden gibt das Lesegerät 1 Signalton ab und aktiviert die Einer-Einheiten.
06. Dann die gewünschte Karten so viele Male vor dem Lesegerät vorbeiführen, wie es den **Einer-Einheiten** entspricht, die programmiert werden sollen.

(\*) – Die MASTER-1, die MASTER-2 oder die MASTER UNICA abhängig von der Gruppe (Befehl Nr. 1 und/oder Nr. 2) verwenden, zu der die Karte gehört, deren Verwendung beschränkt werden soll.



### 7.11 Professional

#### Die Automatisierung mit einer beliebigen MASTER-Karte sperren

01. 7 Mal eine beliebige **MASTER**-Karte vor dem Lesegerät entlangführen.
02. Dieselbe **MASTER**-Karte vor dem Lesegerät vorbeiführen, die im Punkt 01 vorbeigeführt wurde; danach darauf warten, dass das Lesegerät 1 Signalton abgibt.
03. Nach dem Signalton die Karte vom Lesegerät trennen. **Anmerkung** – Wurde der Vorgang richtig ausgeführt, gibt die Tastatur 3 Signaltöne ab.



### 7.12 Professional

#### Die Automatisierung mit einer beliebigen MASTER-Karte entsperren

01. 7 Mal eine beliebige **MASTER**-Karte vor dem Lesegerät entlangführen.
02. Dieselbe **MASTER**-Karte vor dem Lesegerät vorbeiführen, die im Punkt 01 vorbeigeführt wurde; danach darauf warten, dass das Lesegerät 2 Signaltöne abgibt.
03. Nach dem Signalton die Karte vom Lesegerät trennen. **Anmerkung** – Wurde der Vorgang richtig ausgeführt, gibt die Tastatur 3 Signaltöne ab.



### 7.13 Professional

#### Den Speicher mit einer beliebigen MASTER-Karte löschen

Mit dieser Prozedur werden alle im BM-Speicher des Lesegeräts enthaltenen Daten, einschließlich der zu Beginn programmierten „MASTER“-Karten gelöscht.

01. 5 Mal eine beliebige **MASTER**-Karte vor dem Lesegerät entlangführen.
02. Warten Sie ab, bis das Lesegerät 3 Signaltöne abgibt.

03. Nach dem dritten Signalton sofort dieselbe **MASTER**-Karte in die Nähe des Lesegeräts führen, die unter Punkt 01 verwendet wird und sie dort halten.
04. Warten Sie ab, bis das Lesegerät 5 Signaltöne abgibt.
05. Nach dem fünften Signalton sofort die **MASTER** vom Lesegerät entfernen: Das Gerät gibt 3 Signaltöne ab und anschließend 5 langsame Blinksignale, um anzuzeigen, dass der Speicher leer ist.
06. Abschließend das „Selbstlernverfahren der an die Steuerung angeschlossenen Vorrichtungen“ erneut gemäß dem Handbuch der Steuerung durchführen.

Nach Abschluss des Vorgangs ist eine Neuprogrammierung der Vorrichtung notwendig. **Anmerkung** – Zu Beginn einer neuen Programmierung kann erneut ausgewählt werden, mit welcher Betriebsart die Neuprogrammierung der Vorrichtung stattfinden soll („Easy“ oder „Professional“).

.....  
**WICHTIG – Weitere in der Betriebsart „Professional“ programmierbare Funktionen sind in Kapitel 8 aufgeführt.**

## 8 - WEITERE INFORMATIONEN – DEN BEIDEN PROGRAMMIERUNGSARTEN GEMEINSAME VERFAHREN, „EASY“ UND „PROFESSIONAL“

### 8.1 - Eine neue Karte mittels einer zweiten, bereits programmierten Karte speichern

Um diese Prozedur auszuführen, wird eine alte, bereits programmierte Karte benötigt, von der die neue Karte dieselben Befehle übernimmt (Befehl Nr. 1 oder Befehl Nr. 2 oder Befehle Nr. 1 und Nr. 2).

01. Die neue Karte vor das Lesegerät mindestens 5 Sekunden lang in derselben Po-

sition vor das Lesegerät halten. Danach die Karte entfernen.

02. 3 Mal eine alte, bereits programmierte Karte am Lesegerät entlangführen.

03. 1 Mal die neue Karte vor dem Lesegerät entlangführen.

Zum Speichern einer weiteren Karte die Prozedur von Beginn an wiederholen.

---

## 8.2 - Den gesamten Speicher löschen

Mit dieser Prozedur werden alle im BM-Speicher des Lesegeräts enthaltenen Daten, einschließlich der zuvor programmierten „MASTER“-Karten gelöscht.

01. Die Taste „**T**“ (**Abb. 7**) auf dem Lesegerät drücken und gedrückt halten; die LED „**L1**“ bleibt 3 Sekunden lang eingeschaltet, dann gibt sie 3 Blinksignale ab und...

02. ... die Taste genau während des dritten Blinksignals loslassen. Nach einem kurzen Moment gibt die LED „**L1**“ eine Reihe von Blinksignalen aus und falls die Prozedur korrekt ausgeführt wurde, gibt das Lesegerät nach wenigen Sekunden 3 Signaltöne und 5 langsame Blinksignale aus, um zu bestätigen, dass der Speicher leer ist.

03. Abschließend das „Selbstlernverfahren der an die Steuerung angeschlossenen Vorrichtungen“ erneut gemäß dem Handbuch der Steuerung durchführen.

Nach Abschluss des Vorgangs ist eine Neuprogrammierung der Vorrichtung notwendig. **Anmerkung** – Zu Beginn einer neuen Programmierung kann erneut ausgewählt werden, mit welcher Betriebsart die Neuprogrammierung der Vorrichtung stattfinden soll („Easy“ oder „Professional“).

---

## 8.3 - Den einer Karte zugeordneten Bewegungsbefehl ändern (mit den Prozeduren 8.3.1, 8.3.2, 8.3.3)

Mit dieser Funktion kann der Bewegungsbefehl geändert werden, der werkseitig einer Karte zugeordnet wurde (siehe Abschnitt 5.2), indem der neue Befehl in der Spalte „Bewegungsbefehl“ der **Tabelle 4** ausgewählt wird. **Achtung!** – Einige Befehle sind anders als die von der Steuerung, an die das Lesegerät angeschlossen ist, verwalteten (siehe Bedienungsanleitung der Steuerung).

---

### 8.3.1 - Prozedur zum Ändern des Bewegungsbefehls Nr. 1 oder Nr. 2, mit einer Karte, die zum Aktivieren EINES EINZIGEN BEFEHLS programmiert wurde.

01. Die Karte, deren Bewegungsbefehl geändert werden soll, **vor dem Lesegerät vorbei führen**: Das Lesegerät gibt einen Signalton aus und aktiviert sofort die Bewegung; gleichzeitig führt die LED „**L1**“ (**Abb. 7**) Blinksignale aus, auf die eine Pause folgt, um den Typ der ausgeführten Bewegung anzuzeigen.

02. In der **Tabelle 4** die neue gewünschte Bewegung auswählen und das mit dieser Bewegung verbundene Blinken der Led „**L1**“ notieren.

03. Die Taste „**T**“ (ein- oder mehrmals) drücken, um die Liste der verfügbaren Befehle durchzublättern bis Sie zur Einstellung des Bewegungsbefehls an Punkt 02 gelangen (jedes Mal, wenn die LED „**L1**“ gedrückt wird, blinkt es einmal mehr als bei den vorhergehenden).

04. Die im Punkt 01 verwendete Karte am Lesegerät vorbeiführen: das Lesegerät gibt einen Signalton aus und aktiviert sofort die neue Bewegung; gleichzeitig führt die LED „**L1**“ Blinksignale aus, auf die eine Pause folgt, um die neu eingestellte Bewegung anzuzeigen.

---

### 8.3.2 - Prozedur zur Änderung des Bewegungsbefehls Nr. 1 mit einer Karte, die für die Aktivierung BEIDER BEFEHLE programmiert wurde.

01. Die Karte, deren Bewegungsbefehl geändert werden soll, **vor das Lesegerät halten**: Das Lesegerät gibt einen Signalton aus und nach 1 Sekunde einen weiteren und aktiviert sofort die Bewegung; gleichzeitig führt die LED „**L1**“ (**Abb. 7**) Blinksignale aus, auf die eine Pause folgt, um den Typ der ausgeführten Bewegung anzuzeigen.

02. In der **Tabelle 4** die neue gewünschte Bewegung auswählen und das mit dieser Bewegung verbundene Blinken der Led „**L1**“ notieren.

03. Die Taste „**T**“ (ein- oder mehrmals) drücken, um die Liste der verfügbaren Befehle durchzublättern bis Sie zur Einstellung des Bewegungsbefehls an Punkt 02 ge-

langen (jedes Mal, wenn die LED „L1“ gedrückt wird, blinkt es einmal mehr als bei den vorhergehenden).

04. Die im Punkt 01 verwendete Karte vor das Lesegerät halten: Das Lesegerät gibt einen Signalton aus und nach 1 Sekunde einen weiteren und aktiviert sofort die neue Bewegung. Die LED „L1“ führt Blinksignale aus, die von einer Pause gefolgt sind, um die neue eingestellte Bewegung anzuzeigen.

### 8.3.3 - Prozedur zur Änderung des **Bewegungsbefehls Nr. 2** mit einer Karte, die für die Aktivierung **BEIDER BEFEHLE** programmiert wurde.

01. a) - Die Karte vor dem Lesegerät vorbeiführen (**die Karte, deren Bewegungsbefehl geändert werden soll**): nach der Abgabe eines Signaltons die Karte sofort vom Lesegerät entfernen; dann...
- b) - (innerhalb von 2 Sekunden) erneut die Karte vor dem Lesegerät vorbei führen: Das Lesegerät gibt einen Signalton aus und aktiviert sofort die Bewegung; gleichzeitig führt die LED „L1“ (**Abb. 7**) Blinksignale aus, auf die eine Pause folgt, um den Typ der ausgeführten Bewegung anzuzeigen.

**TABELLE 4** - Bewegungsbefehle, die dem Befehl Nr. 1 oder dem Befehl Nr. 2 einer Karte zugeordnet werden können

Signale der LED „L1“	Bewegungsbefehl
1 Mal Blinken + Pause	SCHRITTBETRIEB (werkseitig mit dem <u>Befehl Nr. 1</u> verknüpft)
2 Mal Blinken + pausa	AUTOMATISCHE
3 Mal Blinken + pausa	SCHLIESSEN
4 Mal Blinken + pausa	TEILWEISE ÖFFNEN (werkseitig mit der <u>Taste Nr. 2</u> verknüpft)
5 Mal Blinken + pausa	STOPP
6 Mal Blinken + pausa	ZUSÄTZLICHE BELEUCHTUNG

02. In der **Tabelle 4** die neue gewünschte Bewegung auswählen und das mit dieser Bewegung verbundene Blinken der Led „L1“ notieren.
03. Die Taste „T“ (ein- oder mehrmals) drücken, um die Liste der verfügbaren Befehle durchzublätern bis Sie zur Einstellung des Bewegungsbefehls an Punkt 02 gelangen (jedes Mal, wenn die LED „L1“ gedrückt wird, blinkt es einmal mehr als bei den vorhergehenden).
04. a) - Die im Punkt 01 verwendete Karte vor dem Lesegerät entlangführen: nach der Abgabe eines Signaltons die Karte sofort vom Lesegerät entfernen; dann...
- b) - (innerhalb von 2 Sekunden) erneut die Karte vor dem Lesegerät entlangführen: Das Lesegerät gibt einen Signalton aus und aktiviert sofort die Bewegung; gleichzeitig führt die LED „L1“ (**Abb. 7**) Blinksignale aus, auf die eine Pause folgt, um die neu eingestellte Bewegung anzuzeigen.

## 9 - VERWENDUNG DER KARTEN NACH IHRER SPEICHERUNG – ANLEITUNG FÜR DEN INSTALLATEUR UND DEN ENDBENUTZER

- Die Verwendung des ETPB-Lesegeräts basiert auf der Erkennung des eindeutigen Codes jeder im Lesegerät gespeicherten Karte. Wenn die Karte vor das Lesegerät gehalten wird, versendet dieses seinen Identifizierungscode; wenn dieser Code im ETPB-Speicher enthalten ist, versendet das Lesegerät den Befehl Nr. 1 oder den Befehl Nr. 2 (d.h. den Befehl, welcher der Karte während ihrer Programmierung zugeordnet wurde) an die Steuerung. Wenn die Karte nicht gespeichert wurde, gibt das ETPB-Lesegerät einen Signalton aus, um den Fehler anzuzeigen.
- **Um die Automatisierung steuern zu kommen, muss der Benutzer im Besitz einer (oder mehrerer) gespeicherter Karten sein und vom Installateur die folgenden Informationen erhalten, um die Karte korrekt zu verwenden:**
  - **NUMMER DES BEFEHLS:** Das ist der Befehl, den das Lesegerät an die Automatisierung sendet, wenn die Karte am Lesegerät vorbeigeführt wird: **Befehl Nr. 1** oder **Befehl Nr. 2** oder **beide Befehle** (Nr. 1 und Nr. 2).

- **BEWEGUNGSTYP:** Das ist die Bewegung (z.B.: **Teilöffnung oder anderes ...**), die der Befehlsnummer (Nr. 1 oder Nr. 2) zugeordnet ist.
- **VERWENDUNGSWEISE DER KARTE:** die Art, wie die Karte am Lesegerät vorbeigeführt werden muss. Die Verwendungsweisen unterscheiden sich je nach Menge der Befehle, die eine Karte über das Lesegerät an die Automatisierung senden kann.

● **Verwendungsweise einer Karte, die nur EINEN einzigen Befehl aktivieren kann**

• **Zum Senden des Befehls Nr. 1**

Die Karte am Lesegerät vorbeiführen: dieses gibt einen Signalton ab und aktiviert sofort die Bewegung.

• **Zum Senden des Befehls Nr. 2**

Die Karte am Lesegerät vorbeiführen: dieses gibt einen Signalton ab und aktiviert sofort die Bewegung.

● **Verwendungsweise einer Karte, die ZWEI Befehle aktivieren kann**

• **Zum Senden des Befehls Nr. 1**

Die Karte vor das Lesegerät halten: Das Lesegerät gibt einen Signalton ab und nach 1 Sekunde einen weiteren und aktiviert sofort die Bewegung.

• **Zum Senden des Befehls Nr. 2**

1) - Die Karte vor dem Lesegerät entlangführen: nach der Abgabe eines Signaltons

**TABELLE 5** - Signale der LED „L2“ in Bezug auf den Betrieb des Lesegeräts im „BlueBus“-System

Anzeige der LED „L2“	Bedeutung
Dauerlicht ein	Mit dem „BlueBus“-System synchronisiertes Lesegerät.
3 Mal Blinken + 1 Pause	NICHT mit dem „BlueBus“-System synchronisiertes Lesegerät.
2 Mal Blinken + 1 Pause	Lesegerät nicht adressiert (kein Jumper).

die Karte sofort vom Lesegerät entfernen; dann...

2) - (innerhalb von 2 Sekunden) erneut die Karte am Lesegerät vorbeiführen: dieses gibt einen Signalton ab und aktiviert sofort die Bewegung.

- Wenn die LED „L2“ Blinksignale ausführt, in der **Tabelle 5** deren Bedeutung nachlesen.

## 10 - ABNAHME

Am Ende der Programmierung muss die korrekte Funktionsweise des Lesegeräts und der gespeicherten Karten wie folgt geprüft werden.

- a) - Sicherstellen, dass die Vorgaben in Kapitel 1 - Allgemeine Warnhinweise und Vorsichtsmaßnahmen beachtet wurden.
- b) - Lesen Sie in Kapitel 9 nach, wie die Karten und das Lesegerät korrekt verwendet werden.
- c) - Eine gültige (im Lesegerät gespeicherte) Karte am Lesegerät vorbeiführen und beobachten, ob die Automatisierung den gesendeten Befehl ausführt. Falls das nicht der Fall ist, siehe Kapitel 11 - „Was tun, wenn ... Problemlösungen“.
- d) - Die im obenstehenden Punkt beschriebene Prüfung ausführen, indem eventuelle andere, im Lesegerät gespeicherte Karten verwendet werden.

## 11 - WAS TUN, WENN... (Problemlösungen)

- **Wenn die Led „L2“ einige Blinksignale ausführt (siehe Tabelle 5):** prüfen, ob der Jumper richtig eingesetzt wurde; eventuell das Lesegerät mit dem „BlueBus“-System synchronisieren, indem erneut das „Selbstlernverfahren der an die Steuerung angeschlossenen Vorrichtungen“ ausgeführt wird, wie sie in der Gebrauchsanleitung der Steuerung beschrieben wird.

- **(falls mehrere Tastaturen an eine Steuerung angeschlossen sind). Falls nach dem Vorbeiführen einer gültigen Karte am Lesegerät der Befehl nicht ausgeführt wird und die LED „L2“ zu blinken beginnt:** Die Adresse jedes angeschlossenen „BlueBus“-Geräts überprüfen (siehe Punkt 06 im Abschnitt 4.2).

● **Wenn das Lesegerät keinen Signalton abgibt, nachdem eine gültige Karte daran vorbeigeführt wurde:** prüfen, dass die BM-Speicherkarte richtig eingesetzt wurde.

● **Wenn die LED „L1“ blinkt, um anzuzeigen, dass das Lesegerät den Befehl aktiviert hat, aber die Automatisierung die Bewegung nicht ausgeführt hat, nachdem eine gültige Karte daran vorbeigeführt wurde:** erneut das „Selbstlernverfahren der an die Steuerung angeschlossenen Vorrichtungen“ ausführen (siehe Punkt 08 im Abschnitt 4.2); oder prüfen, dass die Automatisierung nicht gesperrt ist: eventuell mit der Prozedur 7.13 entsperren.

● **Die Tastatur schaltet sich nicht ein:** mit einem geeigneten Instrument prüfen, ob Spannung (V DC) im „BlueBus“-Netz vorhanden ist.

## 12 - WARTUNG DES PRODUKTES

Das Produkt benötigt keine besondere Wartung; wir empfehlen, die Außenflächen mit einem weichen, leicht mit Wasser befeuchteten Tuch zu reinigen. Verwenden Sie keine scharfen oder scheuernden Substanzen wie Reinigungsmittel, Lösungsmittel u.ä.

## 13 - ENTSORGUNG DES PRODUKTES

Dieses Produkt ist ein vervollständigender Teil der Automatisierung und muss somit gemeinsam mit dieser entsorgt werden. Wie die Installationsarbeiten muss auch die Demontage am Ende der Lebensdauer dieses Produktes von Fachpersonal ausgeführt werden. Dieses Produkt besteht aus verschiedenen Stoffen, von denen einige recycelt werden können, andere müssen dagegen entsorgt werden. Informieren Sie sich über die von den lokalen Verordnungen vorgesehenen Recyclings- oder Entsorgungssysteme für diese Produktkategorie. **Achtung!** – Bestimmte Teile des Produktes können Schadstoffe oder gefährliche Substanzen enthalten, die – falls sie in die Umwelt gelangen – schädliche Auswirkungen auf das Ökosystem und die menschliche Gesundheit haben könnten. • Wie vom Symbol auf der Seite angezeigt,

ist es verboten, dieses Produkt zum Haushaltsmüll zu geben. Es muss entsprechend den örtlichen Bestimmungen entsorgt werden oder dem Verkäufer beim Kauf eines neuen, gleichwertigen Produktes zurückgegeben werden. **Achtung!** – die örtlichen Verordnungen können schwere Strafen im Fall einer widerrechtlichen Entsorgung dieses Produktes vorsehen. • Das Verpackungsmaterial des Produkts muss in Übereinstimmung mit den örtlichen Vorschriften entsorgt werden.



## TECHNISCHE MERKMALE

**HINWEISE:** • Alle technischen Merkmale beziehen sich auf eine Umgebungstemperatur von 20°C (±5°C). • Nice S.p.a. behält sich das Recht vor, jederzeit als nötig betrachtete Änderungen am Produkt vorzunehmen, wobei Funktionalitäten und Einsatzzweck beibehalten werden.

● **Typ:** Kontrollsystem für Zugänge mit Kartenverwendung (die Modelle verwenden, die im Katalog der Nice-Produkte erhältlich sind) mit passivem Transponder mit 125 kHz, 32 Bit nur für die Ablesung. ● **Genutzte Technologie:** „BlueBus“-System. ● **Beleuchtung:** Rote LED auf der Vorderseite des Lesegeräts. ● **Länge des Anschlusskabels:** In Bezug auf den Anschluss eines „BlueBus“-Geräts mit der Steuerung die Anweisungen in der Bedienungsanleitung der Steuerung befolgen. ● **Versorgung:** Das Lesegerät wird von der Steuerung mittels Kommunikationssystem und „BlueBus“-Verbindung versorgt. ● **Stromaufnahme:** 2 „BlueBus“-Einheiten. ● **Abstand zur Erfassung:** Die Karte muss mit einem Abstand von maximal 4 cm vor das Lesegerät gehalten werden. ● **Speicherkapazität:** 1 BM1000-Karte enthält maximal 255 Codes (Karte). Es können andere Karten mit unterschiedlichen Speicherkapazitäten installiert werden. ● **Isolierung:** Klasse III ● **Schutzart des Behälters:** IP 54 ● **Betriebstemperatur:** von -20 °C bis +55 °C ● **Benutzung in säure- und salzhaltiger oder explosionsgefährdeter Atmosphäre:** NEIN ● **Montage:** an vertikaler Wand. ● **Abmessungen (mm):** 70 x 70 x h 26 ● **Gewicht:** 265 g

## 1 - OSTRZEŻENIA I OGÓLNE ŚRODKI OSTROŻNOŚCI

**UWAGA!** ● Ważne wskazówki dotyczące bezpieczeństwa. ● Przestrzeganie podanych zaleceń ma istotne znaczenie dla bezpieczeństwa osób, dlatego przed rozpoczęciem pracy należy dokładnie zapoznać się z niniejszą instrukcją. ● Należy przechowywać instrukcję. ● Przed rozpoczęciem instalacji, należy sprawdzić, czy niniejszy produkt jest odpowiedni dożądanego rodzaju zastosowania (należy przeczytać rozdziały „Ograniczenia w użytkowaniu” oraz „Parametry techniczne” urządzenia). Jeżeli produkt nie jest odpowiedni, NIE należy przystępować do montażu. ● Podczas montażu należy się delikatnie obchodzić z urządzeniem, chroniąc je przed zgnieceniem, uderzeniem, upadkiem lub kontaktem z jakiegokolwiek rodzaju płynami. Nie umieszczać urządzenia w pobliżu źródeł ciepła i nie wystawiać go na działanie otwartego ognia. Opisane powyżej sytuacje mogą doprowadzić do uszkodzenia urządzenia, być przyczyną nieprawidłowego działania lub spowodować zagrożenia. Jeżeli doszłoby do którejś z powyżej opisanych sytuacji, należy natychmiast przerwać montaż i zwrócić się o pomoc do Serwisu Technicznego Nice. ● Nie wolno modyfikować żadnej części urządzenia. Niedozwolone działania mogą być przyczyną nieprawidłowego funkcjonowania. Producent zręka się wszelkiej odpowiedzialności za szkody wynikające z używania produktu modyfikowanego samowolnie. ● Produkt nie jest przeznaczony do obsługi przez osoby (w tym dzieci) o ograniczonych zdolnościach fizycznych, zmysłowych bądź umysłowych lub przez osoby nieposiadające odpowiedniego doświadczenia i wiedzy. ● Produkt nie jest skutecznym systemem przeciwwłamaniowym. Aby zabezpieczenie było skuteczne, należy zintegrować automatykę z innymi urządzeniami zabezpieczającymi.

## 2 - OPIS PRODUKTU I JEGO PRZEZNACZENIE

ETPB jest **czytnikiem kart zbliżeniowych**, będącym częścią gamy **ERA**. Jest on

przeznaczony do sterowania automatyką drzwi, bram wjazdowych, bram garażowych i podobnych. Umożliwia kontrolę i dostęp do miejsc i usług zastrzeżonych wyłącznie dla upoważnionego personelu, posiadającego ważną kartę. Urządzenie działa tylko z produktami Nice wyposażonymi w technologię „BlueBus”, która obsługuje urządzenia sterujące. **UWAGA! – Wszelkie inne użycie różne od opisanego oraz wykorzystywanie produktu w warunkach otoczenia odmiennych, niż te przedstawione w niniejszej instrukcji jest niezgodne z przeznaczeniem i zabronione!** ● Urządzenie komunikuje się z centralą sterującą oraz innymi urządzeniami, za pomocą systemu „BlueBus”. System ten zapewnia połączenia „równoległe”, bez polaryzacji, przeprowadzane przy użyciu 2 przewodów, przez które przepływa zasilanie elektryczne oraz sygnały komunikacyjne. Do jednej centrali sterowania „BlueBus” można podłączyć do 4 urządzeń: ETPB (czytnik kart zbliżeniowych), EDSB, EDSIB (klawiatury cyfrowe z kombinacją); każde z tych urządzeń musi posiadać adres różny od innych (stworzony przy użyciu zworki – patrz **Tabela 1**), aby centrala mogła rozpoznać specyfikę każdego urządzenia podczas procedury „wczytywania podłączonych urządzeń”. W celu zapewnienia bezpieczeństwa przed ewentualnymi próbami zastąpienia urządzenia, podczas procedury wczytywania, centrala tworzy dodatkowe zakodowane połączenie z każdym obecnym urządzeniem w sposób umożliwiający jego przypisanie do siebie. Więcej informacji na temat systemu „BlueBus” znajduje się w instrukcji centrali. ● ETPB umożliwia przesłanie polecenia do automatyki wyłącznie wtedy, gdy użytkownik posiada kartę wczytaną do czytnika, ważną dla polecenia, które pragnie się przesłać; przesłanie polecenia następuje poprzez zbliżenie karty do czytnika. Zainstalowana karta pamięci (mod. BM1000) umożliwia zapisanie do 255 kart. Przypisanie poleceń do kart zostaje wczytane w fazie programowania, przy użyciu procedur przedstawionych w niniejszej instrukcji. Ewentualnie, karta pamięci może być wyciągnięta i zaprogramowana bezpośrednio z jednostkami programacyjnymi Nice (O-BOX lub MOU).

## 3 - OGRANICZENIA W UŻYTKOWANIU

● Produkt można podłączać tylko do centrali sterowania Nice Spa, wyposażonej w technologię „BlueBus”, która obsługuje urządzenia sterujące. ● Do jednej centrali

sterowania „BlueBus” można podłączyć do 4 urządzeń: ETPB (czytnik kart zbliżeniowych), EDSB, EDSIB (klawiatury cyfrowe z kombinacją). ● Przed przystąpieniem do montażu, należy się zapoznać z rozdziałem „Parametry techniczne” w celu sprawdzenia, czy warunki, w których produkt ma być używany znajdują się w granicach określonych przez producenta.

## 4 - MONTAŻ I PODŁĄCZENIA ELEKTRYCZNE


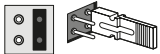
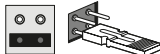
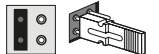
### 4.1 - Wskazówki dotyczące montażu

● ETPB należy zamontować na pionowej ścianie. ● ETPB należy zamontować w otoczeniu odpowiednim do jego całkowitych wymiarów; otoczenie musi zapewnić łatwy dostęp zarówno podczas użycia, jak i podczas konserwacji produktu. ● ETPB należy ustawić w bezpiecznym miejscu i chronić przed przypadkowymi uderzeniami. ● W celu ułatwienia zbliżania karty do czytnika, należy ustawić ETPB na wysokości około 1,5 metra od podłoża. ● ETPB musi być zamontowane na solidnej powierzchni, mogącej zapewnić stabilne mocowanie.

### 4.2 - Fazy montażowe

● **01.** Przeczytać instrukcję obsługi centrali sterującej oraz określić charakterystykę niezbędnych przewodów elektrycznych. ● **02.** Przeczytać ostrzeżenia zamieszczone na początku rozdziału 4 w celu określenia pozycji, w której należy zamontować przewidziane urządzenia. ● **03.** Przygotować rury zabezpieczające kabli elektrycznych. ●

TABELA 1 - Adresowanie zainstalowanych urządzeń

Adres - 1	Adres - 2	Adres - 3	Adres - 4
			

**04.** Przymocować każde przewidziane urządzenie, jak wskazano na **rys. 1, 2, 3, 4, 5.** ● **05. UWAGA! – Wszystkie połączenia muszą być wykonane przy odłączonym zasilaniu;** Przeciągnąć kable elektryczne przez rury zabezpieczające i połączyć urządzenia „równolegle” (**rys. 6**): nie jest konieczne przestrzeganie biegunowości. ● **06.** W tej chwili, jeżeli w instalacji jest obecna większa liczba urządzeń (do 4 urządzeń, biorąc pod uwagę również ewentualne klawiatury cyfrowe z kombinacją EDSB / EDSIB), należy zmienić pozycję zworki w każdym z nich (**rys. 7**), wybierając adres w **Tabeli 1.** **Uwaga!** – Każde urządzenie musi posiadać adres inny od adresów używanych w pozostałych urządzeniach. ● **07.** Podłączyć zasilanie elektryczne do centrali sterującej: dioda LED „L2” (**rys. 7**) miga w celu wskazania typu i stanu pamięci BM zainstalowanej w urządzeniu (patrz **Tabela 2** w celu zrozumienia znaczenia migania), po których następuje 5 wolnych mignięć, jeżeli pamięć jest pusta. ● **08.** Zlokalizować w instrukcji obsługi centrali sterującej procedurę „Wczytywanie urządzeń podłączonych do centrali”; następnie uruchomić ją (pozwoli to na wczytanie przez centralę każdego podłączonego urządzenia „BlueBus”) ● **09.** Wykonać **Programowanie** urządzenia, postępując zgodnie z rozdziałem 5, 6, 7 i 8. ● **10.** Po zakończeniu programowania, przeczytać rozdział 9 na temat użycia urządzenia; następnie, wykonać procedurę **Próba odbiorcza** opisaną w Rozdziale 10, w celu sprawdzenia prawidłowego funkcjonowania zainstalowanych urządzeń. ● **11.** Na koniec, zakończyć montaż w sposób wskazany na **rys. 8, 9.**

## 5 - WAŻNE WSKAZÓWKI DOTYCZĄCE PROGRAMOWANIA

### 5.1 - Dwa tryby programowania: „Easy” i „Professional”

- Programowanie ETPB może być wykonane na dwa różne, uzupełniające się sposoby:
  - **programowanie w trybie „EASY”:** jest to łatwe programowanie, zawierające wyłącznie podstawowe procedury (opisane w rozdziale 6) do wczytania i skasowania karty.
  - **programowanie w trybie „PROFESSIONAL”:** jest to bardziej złożone programowanie, z wieloma funkcjami, z których niektóre nadają się zwłaszcza do zasto-



sowań profesjonalnych. Procedury wchodzące w skład tego programowania (opisane w rozdziale 7) umożliwiają zapisanie w czytniku do 255 kart (liczba może się zmieniać w zależności od zainstalowanej karty pamięci). • W celu dokonania programowania „Professional” należy użyć jednej lub dwóch kart zwanych „MASTER”. **UWAGA! - Karty „Master” muszą być pierwszymi kartami czytany do czytnika.**

**TABELA 2** - Sygnalizacja diody LED „L2” na temat pamięci BM

Sygnalizacja diody LED „L2”	Significato
1 mignięcie (*)	BM60
2 mignięcia (*)	BM250
3 mignięcia (*)	BM1000
4 mignięcia (*)	Wskazuje, że zostały wczytane karty nieważne
5 mignięcia (*)	Błąd podczas odczytu pamięci
(*) – Jeżeli po tej serii mignięć nastąpi <b>5 mignięć (wolnych)</b> , oznacza, że pamięć jest pusta.	

**TABELA 3** - Sygnalizacje akustyczne czytnika podczas programowania

Sygnalizacja akustyczna	Znaczenie
1 sygnał	Sygnalizuje przeciągnięcie <u>ważnej karty</u> przed czytnikiem.
2 bliskie sygnały + 1 sygnał	Sygnalizuje przejście <u>nieważnej karty</u> przed czytnikiem.
3 sygnały	Sygnalizuje koniec i prawidłowe wykonanie procedury programowania.
5 sygnałów	Błąd podczas wykonania procedury programowania.
Seria dźwięków	Sygnalizuje, że popełniono błąd i procedura programowania nie powiodła się.

- Różnice pomiędzy programowaniem „Easy” i „Professional” tkwią wyłącznie w fazie programowania i spełnianych funkcjach; różnice w użytkowaniu są minimalne.
- **Programowanie „Easy” i „Professional” jest alternatywne:** tzn. wybór jednego z dwóch sposobów musi nastąpić podczas programowania pierwszej karty. Jeżeli został już wybrany tryb programowania (= pamięć zajęta przez przynajmniej jedno programowanie) i następnie zamierza się go zmienić (z „Easy” na „Professional” lub vice versa), należy najpierw skasować całą pamięć ETPB.
- Podczas fazy programowania, urządzenie wydaje sygnały dźwiękowe, aby zasygnalizować funkcjonowanie prawidłowe lub błąd. Patrz **Tabela 3** w celu zrozumienia znaczenia tych sygnałów akustycznych.

## 5.2 - Zależność między dostępnymi poleceniami i trybami użycia kart

- Czytnik ETPB jest w stanie przesłać do centrali różne polecenia, które w niniejszej instrukcji zostaną ogólnie nazwane: **polecenie Nr 1** i **polecenie Nr 2**. Dla każdego z tych poleceń zostaje fabrycznie przypisane **polecenie manewru**. Połączenia są następujące:
  - do **polecenia Nr 1** jest przypisane polecenie manewru „**Krok po Kroku**”;
  - do **polecenia Nr 2** jest przypisane polecenie manewru „**Otwarcie częściowe**”;
- **Uwaga** – Polecenia manewru przypisane fabrycznie mogą być zmienione w każdej chwili na inne żądane polecenia (patrz **Tabela 4** w rozdziale 8), przy użyciu procedur opisanych w rozdziale 8.3.
- **Karta może być wczytana z następującymi poleceniami:**
  - A** – z poleceniem Nr 1;
  - A** – z poleceniem Nr 2;
  - C** – z dwoma poleceniami (Nr 1 i Nr 2).



## Rozdział 6

### PROGRAMOWANIE KART W TRYBIE „EASY”

#### PROCEDURY



#### 6.1 Easy

#### Zaprogramować ważną kartę wyłącznie dla polecenia Nr 1 lub polecenia Nr 2, lub obu poleceń (Nr 1 i Nr 2)

**WAŻNE** – Po zakończeniu programowania, nie można go powtórzyć. Aby zaprogramować dodatkowe karty, trzeba będzie skorzystać z procedury opisanej w punkcie 8.1.

01. Nacisnąć przycisk „T” (rys. 7): czytnik wyemituje sygnały akustyczne w regularnych odstępach czasu; w ciągu 30 sekund...
02. ... wybrać jedno polecenie z trzech proponowanych opcji i wykonać wskazane działanie:
  - aby zaprogramować polecenie Nr 1 = przeciągnąć **1 raz** nową kartę przed czytnikiem.
  - aby zaprogramować polecenie Nr 2 = przeciągnąć **2 razy** nową kartę przed czytnikiem.
  - aby zaprogramować polecenie Nr 1 i polecenie Nr 2 = przeciągnąć **3 razy** nową kartę przed czytnikiem.
03. Po zaprogramowaniu pierwszej karty można zaprogramować inne karty, powtarzając dla każdej punkt 02 w ciągu 10 sekund od przeciągnięcia ostatniej karty.  
**Uwaga** – Dla każdej nowej karty można wybrać jedną z trzech opcji.
04. W celu zakończenia procedury, należy odczekać ponad 10 sekund po przeciągnięciu ostatniej karty.

.....

**WAŻNE** – Inne funkcje możliwe do zaprogramowania w trybie „Easy” zostały opisane w rozdziale 8.



## Rozdział 7

### PROGRAMOWANIE KART W TRYBIE „PROFESSIONAL”

- Procedury w trybie „Professional” umożliwiają zaprogramowanie dla każdego użytkownika (lub grupy użytkowników) własnej karty; umożliwia to łatwe dodawanie lub usuwanie kart, w zależności od bieżących potrzeb.
  - Procedury te umożliwiają zaprogramowanie żądanej liczby kart (do 255, w zależności od zainstalowanej pamięci BM), skasowanie niektórych pamięci, ich zliczanie, skasowanie całej pamięci i użycie specjalnych funkcji.
  - Wykonanie procedur w trybie „Professional” wymaga użycia jednej lub dwóch kart „MASTER”. Karta „MASTER” jest normalną kartą, która musi być zaprogramowana obowiązkowo na początku programowania „Profesjonalnego”, gdy pamięć BM jest jeszcze pusta. Możliwe jest utworzenie następujących kart „MASTER”:
    - karta „**MASTER-1**” i „**MASTER-2**”: są alternatywą dla karty „MASTER UNICA”. Karta „MASTER-1” służy do wczytania polecenia Nr 1; karta „MASTER-2” służy do wczytania polecenia Nr 2.
    - karta „**MASTER UNICA**”: jest alternatywą dla „MASTER-1” i „MASTER-2”. Służy do wczytania do karty polecenia Nr 1 lub polecenia Nr 2 lub obu poleceń (Nr 1 i Nr 2).
- WAŻNE** – Karty „MASTER-1” i „MASTER-2” służą do stworzenia dwóch różnych grup kart (karty danej grupy mogą aktywować wyłącznie jedno z dwóch dostępnych poleceń). **Ewentualnie**, jeżeli nie jest konieczne utworzenie dwóch grup kart, możliwe jest dokonanie programowania jednej karty, zwanej „MASTER UNICA”, które spełnia funkcje „MASTER-1” i „MASTER-2”; dodatkowo, umożliwia utworzenie kart dla obu poleceń.

- Karta „MASTER” może być używana wyłącznie do programowania innych kart, do skasowania całego programowania oraz do blokowania lub odblokowania automatyki; w związku z tym, nie może sterować automatyką, jak normalna karta. **UWAGA! – Uważać, by nie zgubić utworzonych kart „MASTER”.**

## — Programowanie kart „MASTER” —

Programowanie kart „MASTER” jest pierwszą rzeczą, jaką należy zrobić: należy tego dokonać, gdy pamięć jest jeszcze pusta; są to pierwsze karty, które muszą być zbliżone do czytnika na przynajmniej 5 sekund. **UWAGA! – Aby zaprogramować karty „MASTER” należy zastosować tylko jedną z dostępnych procedur (7.1 lub 7.2).**



### 7.1 Professional

**Programowanie karty MASTER-1** (posłuży do wczytania karty aktywującej polecenie Nr 1) i **karty MASTER-2** (posłuży do wczytania karty aktywującej polecenie Nr 2)

**UWAGA!** – Ta procedura jest alternatywą dla procedury z punktu 7.2. Może być wykonana wyłącznie, gdy pamięć czytnika jest pusta.

01. Należy się upewnić, że pamięć czytnika jest pusta.
02. Umieścić przed czytnikiem **nową kartę („MASTER-1”)** i przytrzymać ją w pozycji przez przynajmniej 5 sekund. Po upływie 5 sekund, czytnik wyemituje 3 zbliżone sygnały akustyczne i 1 pojedynczy sygnał.
03. Po ustaniu sygnalizacji akustycznej, należy wyjąć kartę z czytnika.
04. Umieścić przed czytnikiem **nową kartę, inną niż poprzednio („MASTER-2”)** i przytrzymać ją w pozycji przez przynajmniej 5 sekund. Po upływie 5 sekund, czytnik wyemituje 3 zbliżone sygnały akustyczne i 1 pojedynczy sygnał.
05. Po ustaniu sygnalizacji akustycznej, należy wyjąć kartę z czytnika.



### 7.2 Professional

**Programowanie karty MASTER UNICA** (służy do wczytania kart aktywujących polecenie Nr 1, Nr 2 lub oba polecenia)

**UWAGA!** – Ta procedura jest alternatywą dla procedury z punktu 7.1. Może być wykonana wyłącznie, gdy pamięć czytnika jest pusta.

01. Należy się upewnić, że pamięć czytnika jest pusta.
02. Umieścić przed czytnikiem **nową kartę** i przytrzymać ją w pozycji przez przynajmniej 5 sekund. Po upływie 5 sekund, czytnik wyemituje 3 zbliżone sygnały akustyczne i 1 pojedynczy sygnał.
03. Po ustaniu sygnalizacji akustycznej, należy wyjąć kartę z czytnika.
04. Umieścić ponownie kartę przed czytnikiem i przytrzymać ją w pozycji przez przynajmniej 5 sekund. Po upływie 5 sekund, czytnik wyemituje 3 zbliżone sygnały akustyczne i 1 pojedynczy sygnał.
05. Po ustaniu sygnalizacji akustycznej, należy wyjąć kartę z czytnika.



## — Programowanie normalnych kart —



### 7.3 Professional

**Zaprogramować (przy użyciu MASTER-1) karty aktywujące polecenie Nr 1.**

01. Przeciągnąć 1 raz **MASTER-1** przed czytnikiem.
02. Przeciągnąć 1 raz **nową kartę** przed czytnikiem. **Uwaga** – Po zaprogramowaniu pierwszej karty można zaprogramować inne karty, powtarzając dla każdej karty punkt 02, w ciągu 10 sekund od przeciągnięcia ostatniej karty.
03. W celu zakończenia procedury, przeciągnąć 1 raz kartę **MASTER-1** przed czytnikiem lub odczekać ponad 10 sekund od przeciągnięcia ostatniej karty.

Pozostałe karty mogą być zapisane w każdej chwili, powtarzając procedurę od początku.



## 7.4 Professional

### Zaprogramować (przy użyciu MASTER-2) karty aktywujące polecenie Nr 2.

01. Przeciągnąć 1 raz **MASTER-2** przed czytnikiem.
02. Przeciągnąć 1 raz nową kartę przed czytnikiem. **Uwaga** – Po zaprogramowaniu pierwszej karty można zaprogramować inne karty, powtarzając dla każdej karty punkt 02, w ciągu 10 sekund od przeciągnięcia ostatniej karty.
03. W celu zakończenia procedury, przeciągnąć 1 raz kartę **MASTER-2** przed czytnikiem lub odczekać ponad 10 sekund od przeciągnięcia ostatniej karty.

Pozostałe karty mogą być zapisane w każdej chwili, powtarzając procedurę od początku.



## 7.5 Professional

### Zaprogramować (przy użyciu karty MASTER-UNICA) karty aktywujące polecenie Nr 1.

01. Przeciągnąć 1 raz kartę MASTER-UNICA przed czytnikiem.
02. Przeciągnąć 1 raz nową kartę przed czytnikiem. **Uwaga** – Po zaprogramowaniu pierwszej karty można zaprogramować inne karty, powtarzając dla każdej karty punkt 02, w ciągu 10 sekund od przeciągnięcia ostatniej karty.
03. W celu zakończenia procedury, przeciągnąć 1 raz kartę **MASTER-UNICA** przed czytnikiem lub odczekać ponad 10 sekund od przeciągnięcia ostatniej karty.

Pozostałe karty mogą być zapisane w każdej chwili, powtarzając procedurę od początku.



## 7.6 Professional

### Zaprogramować (przy użyciu karty MASTER-UNICA) karty aktywujące polecenie Nr 2.

01. Przeciągnąć 1 raz kartę MASTER-UNICA przed czytnikiem.
02. Przeciągnąć 2 razy nową kartę przed czytnikiem. **Uwaga** – Po zaprogramowaniu pierwszej karty można zaprogramować inne karty, powtarzając dla każdej



## 7.7 Professional

### Zaprogramować (przy użyciu karty MASTER-UNICA) karty aktywujące polecenie Nr 1 i polecenie Nr 2.

01. Przeciągnąć 1 raz kartę MASTER-UNICA przed czytnikiem.
02. Przeciągnąć 3 razy nową kartę przed czytnikiem. **Uwaga** – Po zaprogramowaniu pierwszej karty można zaprogramować inne karty, powtarzając dla każdej karty punkt 02, w ciągu 10 sekund od przeciągnięcia ostatniej karty.
03. W celu zakończenia procedury, przeciągnąć 1 raz kartę **MASTER-UNICA** przed czytnikiem lub odczekać ponad 10 sekund od przeciągnięcia ostatniej karty.

Pozostałe karty mogą być zapisane w każdej chwili, powtarzając procedurę od początku.



## 7.8 Professional

### Skasować (przy użyciu MASTER) jedną lub kilka wczytanych kart

01. Przeciągnąć 2 razy kartę **MASTER(\*)** przed czytnikiem.
02. Przeciągnąć 1 raz kartę do skasowania przed czytnikiem. **Uwaga** – Po skasowaniu pierwszej karty można skasować inne karty, powtarzając dla każdej punkt 02, w ciągu 10 sekund od przeciągnięcia ostatniej karty.
03. W celu zakończenia procedury, przeciągnąć 1 raz kartę **MASTER** (użyta w kroku 01) przed czytnikiem lub odczekać ponad 10 sekund od przeciągnięcia ostatniej karty.

(\*) – Użyć karty MASTER-1, MASTER-2 lub MASTER-UNICA, w zależności od grupy, do jakiej przynależy karta przeznaczona do skasowania.

Pozostałe karty mogą być skasowane w każdej chwili, powtarzając procedurę od początku.



## 7.9 Professional

### Policzyć (przy użyciu karty MASTER...) wczytane karty

Ta procedura umożliwia zliczanie liczby kart wczytanych z poleceniem Nr 1, Nr 2 lub z zestawem dwóch poleceń.

01. Przeciągnąć 3 razy kartę **MASTER(\*)** przed czytnikiem. Wyemituje on sekwencje sygnałów akustycznych o następującym znaczeniu:
- **3 sygnały = 1 setka** (np.: 1 sekwencja 3 sygnałów odpowiada 100 kartom).
  - **2 sygnały = 1 dziesiątka** (np.: 3 sekwencje 2 sygnałów odpowiadają 30 kartom).
  - **1 sygnał = 1 jednostka** (np.: 4 sekwencje 1 sygnału odpowiadają 4 kartom).
  - **10 sekwencji sygnałów = cyfra zero.**

(\*) – Użyć karty MASTER-1 lub karty MASTER-2 w zależności od grupy (polecenie Nr 1 lub Nr 2) do której przynależą karty do zliczenia. W celu zliczenia wszystkich wczytanych kart (niezależnie od aktywowanego przez nie polecenia), należy użyć karty MASTER-UNICA.



## 7.10 Professional

### Ograniczyć (przy użyciu karty MASTER...) użycie karty do określonej liczby zastosowań

Do każdej karty jest przypisany licznik, który jest zmniejszany automatycznie po każdym razowym użyciu karty; gdy licznik osiągnie zero, karta zostaje dezaktywowana. Ustawiona fabrycznie liczba zastosowań jest nieograniczona. Dzięki tej procedurze, możliwe jest zaprogramowanie żądanego limitu zastosowań karty. Maksymalna, ustawialna wartość graniczna wynosi 999; wyższe wartości ustawiają nieograniczone użycie.

01. Przeciągnąć 4 razy kartę **MASTER(\*)** przed czytnikiem. Po 2 sekundach, czytnik wyemituje 3 sygnały akustyczne i aktywuje setki.
02. Następnie, należy przeciągnąć żądaną kartę przed czytnikiem liczbę razy równą **setkom** jednostek, które pragnie się zaprogramować (10 przeciągnięć = użycie nieograniczone).
03. Po 2 sekundach czytnik wyemituje 2 sygnały akustyczne i aktywuje dziesiątki.



04. Następnie, należy przeciągnąć żądaną kartę przed czytnikiem liczbę razy równą **dziesiątkom** jednostek, które pragnie się zaprogramować.
05. Po 2 sekundach czytnik wyemituje 1 sygnał akustyczny i aktywuje jednostki.
06. Następnie, należy przeciągnąć żądaną kartę przed czytnikiem liczbę razy równą **jednostkom**, które pragnie się zaprogramować.

(\*) – Użyć karty MASTER-1, MASTER-2 lub MASTER UNICA, w zależności od zespołu (polecenie Nr 1 i/lub Nr 2) do którego przynależy karta, której użycie pragnie się ograniczyć.



## 7.11 Professional

### Zablokować automatykę przy użyciu którejkolwiek karty MASTER

01. Przeciągnąć 7 razy przed czytnikiem jakąkolwiek kartę **MASTER**.
02. Umieścić przed czytnikiem kartę **MASTER** użytą w punkcie 01 i przytrzymać ją w pozycji; następnie, odczekać, aż czytnik wyemituje 1 sygnał akustyczny.
03. Po ustaniu sygnalizacji akustycznej, należy wyjąć kartę z czytnika. **Uwaga** – Jeżeli procedura została wykonana prawidłowo, czytnik wyemituje 3 sygnały akustyczne.



## 7.12 Professional

### Odblokować automatykę przy użyciu którejkolwiek karty MASTER

01. Przeciągnąć 7 razy przed czytnikiem jakąkolwiek kartę **MASTER**.
02. Umieścić przed czytnikiem kartę **MASTER** użytą w punkcie 01 i przytrzymać ją w pozycji; następnie, odczekać, aż czytnik wyemituje 2 sygnały akustyczne.
03. Po ustaniu sygnalizacji akustycznej, należy wyjąć kartę z czytnika. **Uwaga** – Jeżeli procedura została wykonana prawidłowo, czytnik wyemituje 3 sygnały akustyczne.



## 7.13 Professional

### Skasować całą pamięć przy użyciu którejkolwiek karty MASTER

Procedura ta powoduje skasowanie wszystkich danych zawartych w pamięci BM czytnika, w tym kart „MASTER” zaprogramowanych na początku.

01. Przeciągnąć 5 razy przed czytnikiem jakąkolwiek kartę **MASTER**.
02. Odczekać, aż czytnik wyemituje 3 sygnały akustyczne.
03. Po zakończeniu trzeciego sygnału akustycznego zbliżyć natychmiastowo do czytnika kartę **MASTER** użytą w punkcie 01 i przytrzymać ją w pozycji.
04. Odczekać, aż czytnik wyemituje 5 sygnały akustyczne.
05. Po zakończeniu piątego sygnału akustycznego wyjąć natychmiast **kartę MASTER** z czytnika: urządzenie wyemituje 3 sygnały akustyczne i następnie wykona 5 powolnych mignięć w celu wskazania, że pamięć jest pusta.
06. Następnie, należy wykonać ponownie procedurę „wczytywania urządzeń podłączonych do centrali”, zgodnie z jej instrukcją obsługi.

Po zakończeniu procedury, należy zaprogramować nowe urządzenie. **Uwaga** – na początku nowego programowania będzie można ponownie wybrać tryb, jaki pragnie się zastosować w celu zaprogramowania urządzenia („Easy” lub „Professional”).

.....  
**WAŻNE – Inne funkcje możliwe do zaprogramowania w trybie „Professional” zostały opisane w rozdziale 8.**

## 8 - INFORMACJE SZCZEGÓŁOWE – PROCEDURY WSPÓLNE DLA DWÓCH TRYBÓW PROGRAMOWANIA, „EASY” I „PROFESSIONAL”

### 8.1 - Wczytać nową kartę przy użyciu drugiej, już zaprogramowanej karty

W celu wykonania tej procedury należy wykorzystać „starą”, uprzednio zaprogramowaną kartę, z której nowa karta pobierze te same polecenia (polecenie Nr 1 lub polecenie Nr 2 lub polecenie Nr 1 i Nr 2).

01. Przeciągnąć nową kartę przed czytnikiem i przytrzymać ją w pozycji przez przynajmniej 5 sekund. Na koniec, wyciągnąć kartę.
02. Przeciągnąć przed czytnikiem 3 razy starą kartę, uprzednio zaprogramowaną.
03. Przeciągnąć 1 raz nową kartę przed czytnikiem.

Aby zapisać dodatkową kartę, należy powtórzyć procedurę od początku.

### 8.2 - Kasowanie całej pamięci

Procedura ta powoduje skasowanie wszystkich danych zawartych w pamięci BM czytnika, w tym uprzednio zaprogramowanych kart „MASTER”.

01. Nacisnąć i przytrzymać wciśnięty przycisk „**T**” (**rys. 7**) na czytniku; dioda LED „**L1**” pozostanie zaświecona przez 3 sekundy, następnie wykona 3 mignięcia i...
02. ...zwołnić przycisk dokładnie podczas trzeciego mignięcia. Po krótkiej chwili, dioda LED „**L1**” wykona serię mignięć i, po kilku sekundach, jeżeli procedura została wykonana prawidłowo, czytnik wyemituje 3 sygnały akustyczne i wykona 5 wolnych mignięć w celu potwierdzenia, że pamięć jest pusta.
03. Następnie, należy wykonać ponownie procedurę „wczytywania urządzeń podłączonych do centrali”, zgodnie z jej instrukcją obsługi.

Po zakończeniu procedury, należy zaprogramować nowe urządzenie. **Uwaga** – na

początku nowego programowania będzie można ponownie wybrać tryb, jaki pragnie się zastosować w celu zaprogramowania urządzenia („Easy” lub „Professional”).

### **8.3 - Zmienić polecenie manewru przypisane do karty**

(procedury 8.3.1, 8.3.2, 8.3.3)

Funkcja ta umożliwi zmianę polecenia manewru przypisanego fabrycznie do karty (patrz punkt 5.2), wybierając nowe, żądane polecenie w kolumnie „Polecenie manewru” w **Tabeli 4. Uwaga!** – Niektóre polecenia mogą być inne od poleceń zarządzanych przez centralę, do której jest podłączony czytnik (patrz instrukcja centrali).

#### **8.3.1 - Procedura w celu zmiany polecenia manewru Nr 1 lub Nr 2, z zaprogramowaną kartą w celu dokonania aktywacji JEDNEGO POLECENIA**

01. Przeciągnąć przed czytnikiem **kartę, której polecenie manewru pragnie się zmodyfikować**: czytnik wyemituje sygnał akustyczny i natychmiast aktywuje manewr; równocześnie, dioda LED „L1” (**Rys. 7**) wykona mignięcia, po których nastąpi pauza, w celu zasygnalizowania typu wykonywanego manewru.
02. Wybrać w **Tabeli 4** nowy żądany manewr i zapisać mignięcia diody LED „L1” przypisane do tego manewru.
03. Nacisnąć przycisk „T” (jeden lub kilka razy) w celu przesunięcia listy dostępnych poleceń, aż do ustawienia polecenia manewru wybranego w punkcie 02 (po każdym naciśnięciu przycisku, dioda LED „L1” wyemituje o jedno mignięcie więcej w stosunku do poprzednich).
04. Przeciągnąć przed czytnikiem kartę użytą w punkcie 01: czytnik wyemituje sygnał akustyczny i natychmiast aktywuje nowy manewr; równocześnie, dioda LED „L1” wykonuje serię mignięć, po których nastąpi pauza, w celu zasygnalizowania nowego, ustawionego manewru.

#### **8.3.2 - Procedura w celu zmiany polecenia manewru Nr 1, z zaprogramowaną kartą w celu dokonania aktywacji OBU POLECENÍ**

01. Przeciągnąć przed czytnikiem **kartę, której polecenie manewru pragnie się zmodyfikować i przytrzymać ją w tej pozycji**: czytnik wyemituje sygnał akustyczny i, po upływie 1 sekundy, wyemituje kolejny sygnał, natychmiast aktywując manewr; równocześnie, dioda LED „L1” (**rys. 7**) wykona mignięcia, po których nastąpi pauza, w celu zasygnalizowania typu wykonywanego manewru.
02. Wybrać w **Tabeli 4** nowy żądany manewr i zapisać mignięcia diody LED „L1” przypisane do tego manewru.
03. Nacisnąć przycisk „T” (jeden lub kilka razy) w celu przesunięcia listy dostępnych poleceń, aż do ustawienia polecenia manewru wybranego w punkcie 02 (po każdym naciśnięciu przycisku, dioda LED „L1” wyemituje o jedno mignięcie więcej w stosunku do poprzednich).
04. Umieścić przed czytnikiem kartę użytą w punkcie 01 i przytrzymać ją w pozycji: czytnik wyemituje sygnał akustyczny i po upływie 1 sekundy, wyemituje ko-

**TABELA 4 - Polecenia manewru do przypisania do polecenia Nr 1 lub polecenia Nr 2 karty**

Sygnalizacja diody LED „L1”	Polecenie manewru
1 mignięcie + pauza	<b>KROK PO KROKU</b> (przypisane fabrycznie do polecenia Nr 1)
2 mignięcia + pauza	<b>OTWARCIE</b>
3 mignięcia + pauza	<b>ZAMKNIĘCIE</b>
4 mignięcia + pauza	<b>OTWIERA CZĘŚCIOWO</b> (przypisane fabrycznie do polecenia Nr 2)
5 mignięć + pauza	<b>STOP</b>
6 mignięć + pauza	<b>ŚWIATEŁKO NOCNE</b>

lejny sygnał, aktywując nowy manewr. Dioda LED „L1” wykonuje serię mignięć, po których następuje pauza, w celu zasygnalizowania nowego ustawionego manewru.

### 8.3.3 - Procedura w celu zmiany polecenia manewru Nr 2, z zaprogramowaną kartą w celu dokonania aktywacji **OBU POLECEŃ**

01. a) - Przeciągnąć kartę przed czytnikiem (**karta, której polecenie manewru pragnie się zmodyfikować**): po wyemitowaniu sygnału akustycznego, natychmiast oddalić kartę od czytnika; następnie...  
b) - (w ciągu 2 sekund) przeciągnąć nową kartę przed czytnikiem: wyemituje on sygnał akustyczny i natychmiast aktywuje manewr; równocześnie dioda LED „L1” (**rys. 7**) wykona mignięcia, po których nastąpi pauza, w celu zasygnalizowania typu wykonanego manewru.
02. Wybrać w **Tabeli 4** nowy żądany manewr i zapisać mignięcia diody LED „L1” przypisane do tego manewru.
03. Nacisnąć przycisk „T” (jeden lub kilka razy) w celu przesunięcia listy dostępnych poleceń, aż do ustawienia polecenia manewru wybranego w punkcie 02 (po każdym naciśnięciu przycisku, dioda LED „L1” wyemituje o jedno mignięcie więcej w stosunku do poprzednich).
04. a) - Przeciągnąć przed czytnikiem kartę użytą w punkcie 01: po wyemitowaniu sygnału akustycznego, oddalić natychmiast kartę od czytnika; następnie...  
b) - (w ciągu 2 sekund) przeciągnąć ponownie kartę przed czytnikiem: wyemituje on sygnał akustyczny i natychmiast aktywuje manewr; równocześnie dioda LED „L1” (**rys. 7**) wykona serię mignięć, po której nastąpi pauza, w celu zasygnalizowania typu wykonanego manewru.

## 9 - UŻYCIE KART PO ICH WCZYTANIU – PODRĘCZNIK INSTALATORA I UŻYTKOWNIKA KOŃCOWEGO

- Użycie czytnika ETPB opiera się na rozpoznaniu jednoznacznego kodu dla każdej karty wczytanej do czytnika. Gdy karta zostaje zbliżona do czytnika, przesyła mu własny kod identyfikacyjny; jeżeli kod jest obecny w pamięci ETPB, czytnik przesyła centrali polecenie Nr 1 lub polecenie Nr 2 (tj. polecenie przypisane do tej karty podczas jej programowania). Jeśli karta nie jest wczytana, czytnik ETPB emituje sygnał akustyczny w celu zasygnalizowania błędu.
- **Do sterowania automatyką użytkownik potrzebuje jednej (lub kilku) wczytanych kart i musi otrzymać od instalatora następujące informacje umożliwiające prawidłowe użycie karty:**
  - **NUMER POLECENIA:** jest to polecenie, jakie czytnik wysyła do automatyki, gdy karta zostaje przeciągnięta przed czytnikiem: **polecenie Nr 1** lub **polecenie Nr 2** lub **oba polecenia** (Nr 1 i Nr 2).
  - **TYP MANEWRU:** to manewr (np.: **otwarcie częściowe lub inne...**) przypisane do numeru polecenia (Nr 1 lub Nr 2).
  - **TRYB UŻYCIA KARTY:** jest to sposób, w jaki karta musi być przeciągnięta przed czytnikiem. Warunki użycia różnią się w zależności od liczby poleceń, jaką karta może przekazać automatyce przy użyciu czytnika.

● **Jak korzystać z karty, która może aktywować wyłącznie JEDNO polecenie**

### • **Aby wysłać polecenie Nr 1**

Przeciągnąć kartę przed czytnikiem: wyemituje on sygnał akustyczny i natychmiast aktywuje manewr.

### • **Aby wysłać polecenie Nr 2**

Przeciągnąć kartę przed czytnikiem: wyemituje on sygnał akustyczny i natychmiast aktywuje manewr.



## ● Jak korzystać z karty, która może aktywować DWA polecenia

### • **Aby wysłać polecenie Nr 1**

Umieścić kartę przed czytnikiem i przytrzymać ją w pozycji: czytnik wyemituje sygnał akustyczny i, po upływie 1 sekundy, wyemituje kolejny sygnał, uruchamiając manewr.

### • **Aby wysłać polecenie Nr 2**

1) - Przeciągnąć kartę przed czytnikiem: po wyemitowaniu sygnału akustycznego, natychmiast oddalić kartę od czytnika; następnie...

2) - (w ciągu 2 sekund) przeciągnąć ponownie kartę przed czytnikiem: wyemituje on sygnał akustyczny i natychmiast aktywuje manewr.

- Jeżeli dioda LED „L2” wykona serię mignięć, należy przeczytać **Tabełę 5** w celu zrozumienia ich znaczenia.

## 10 - PRÓBA ODBIORCZA

Po zakończeniu programowania, należy sprawdzić prawidłowe funkcjonowanie czujnika i wczytanych kart w następujący sposób.

- a) - Upewnić się, że zastosowano się do wskazówek w rozdziale 1 - Ostrzeżenia i ogólne środki ostrożności.

**TABELA 5** - Sygnalizacje diody LED „L2” na temat funkcjonowania czytnika systemu „BlueBus”

Sygnalizacja diody LED „L2”	Znaczenie
Świeci światłem stałym	Czytnik zsynchronizowany z systemem „BlueBUS”.
3 mignięcia + 1 pauza	Czytnik NIE zsynchronizowany z systemem „BlueBUS”.
2 mignięcia + 1 pauza	Czytnik nieadresowany (bez zworki).

- b) - Przeczytać rozdział 9 w celu uzyskania informacji na temat prawidłowego użycia kart i czytnika.
- c) - Przeciągnąć przed czytnikiem ważną kartę (wczytaną do czytnika) i sprawdzić, czy automatyka wykonuje określone polecenie. Jeżeli to nie nastąpi, przeczytać rozdział 11 - „Co zrobić, jeśli... rozwiązywanie problemów”.
- d) - Przeprowadzić weryfikację opisaną w poprzednim punkcie przy użyciu innych kart wczytanych do czytnika.

## 11 - CO ZROBIĆ, JEŚLI... (rozwiązywanie problemów)

- **Jeżeli dioda LED „L2” wykona kilka mignięć (patrz Tabela 5);** należy się upewnić, że zworka jest włożona w sposób prawidłowy; ewentualnie zsynchronizować czytnik z systemem „Bluebus”, ponownie wykonując procedurę „wczytywania urządzeń podłączonych do centrali”, znajdującą się w instrukcji centrali sterującej.
- **(w razie obecności większej liczby czytników podłączonych do tej samej centrali sterującej). Jeżeli, po przeciągnięciu ważnej karty przed czytnikiem, polecenie nie zostanie wykonane i dioda LED „L2” zaczyna migać:** należy sprawdzić adres każdego podłączonego urządzenia „BlueBus” (patrz punkt 06 w rozdziale 4.2).
- **Jeżeli, po przeciągnięciu ważnej karty przed czytnikiem, nie wyemituje on żadnej sygnalizacji akustycznej:** sprawdzić, czy pamięć BM jest prawidłowo włożona.
- **Jeżeli po przeciągnięciu ważnej karty przed czytnikiem, dioda LED „L1” miga wskazując, że czytnik aktywował polecenie, ale automatyka nie wykonała manewru:** ponownie wykonać procedurę „wczytywania urządzeń podłączonych do centrali” (patrz punkt 08 w rozdziale 4.2); lub upewnić się, że automatyzacja nie jest zablokowana: ewentualnie, odblokować przy użyciu procedury 7.13.
- **Jeżeli nie następuje włączenie klawiatury:** sprawdzić przy pomocy odpowiedniego przyrządu, czy w sieci „BlueBus” jest obecne napięcie (vdc).

## 12 - KONSERWACJA PRODUKTU

Produkt nie wymaga żadnej specjalnej konserwacji; zaleca się czyszczenie powierzchni zewnętrznych przy użyciu miękkiej, lekko zwilżonej wodą ściereczki. Nie stosować substancji agresywnych lub ściernych, jak środki czyszczące, rozpuszczalniki i podobne.

## 13 - UTYLIZACJA PRODUKTU

Niniejszy produkt stanowi integralną część systemu automatyki, należy go zatem utylizować razem z nią. • Podobnie, jak w przypadku czynności montażowych, po upływie okresu żywotności tego produktu, prace demontażowe powinny zostać wykonane przez wykwalifikowany personel. • Urządzenie składa się z różnego rodzaju materiałów: niektóre z nich mogą zostać poddane recyklingowi, inne powinny zostać poddane utylizacji. Należy we własnym zakresie zapoznać się z informacjami na temat recyklingu i utylizacji, przewidzianymi w lokalnie obowiązujących przepisach dla danej kategorii produktu. **Uwaga!** – niektóre elementy produktu mogą zawierać substancje szkodliwe lub niebezpieczne, które pozostawione w środowisku mogłyby zaszkodzić środowisku lub zdrowiu ludzkiemu. • Jak wskazuje symbol obok, zabrania się wyrzucania niniejszego produktu razem z odpadami domowymi. W celu usunięcia produktu należy zatem przeprowadzić zgodnie z lokalnie obowiązującymi przepisami „zbiórkę selektywną” lub zwrócić produkt do sprzedawcy w chwili zakupu nowego, równoważnego produktu. **Uwaga!** – lokalne przepisy mogą przewidywać poważne sankcje w przypadku samodzielnej utylizacji tego produktu. • Materiał opakowaniowy podlega utylizacji zgodnie z lokalnymi przepisami.



## PARAMETRY TECHNICZNE

**OSTRZEŻENIA:** • Wszystkie podane parametry techniczne odnoszą się do temperatury otoczenia równej 20°C (± 5°C). • Firma Nice S.p.a. zastrzega sobie prawo do wprowadzenia w dowolnej chwili zmian do urządzenia według własnego uznania, zachowując jednakże to samo zastosowanie i przeznaczenie.

- **Typologia:** system kontroli dostępu przy użyciu karty (używać modeli dostępnych w katalogu produktów Nice) zbliżeniowej pasywnej 125 kHz, 32 bit tylko do odczytu.
- **Zastosowana technologia:** system „BlueBus”.
- **Oświetlenie:** Dioda LED w kolorze czerwonym w przedniej części czytnika.
- **Długość kabla łączącego:** Należy się zapoznać z instrukcją obsługi centrali sterującej w zakresie podłączenia urządzenia „BlueBus” do centrali.
- **Zasilanie:** czytnik jest zasilany z centrali sterującej, poprzez system komunikacji i połączenia „BlueBus”.
- **Pobór prądu:** 2 jednostki „BlueBus”.
- **Odległość odczytu:** z kartą przed czytnikiem, maksymalna długość około 4 cm.
- **Pojemność pamięci:** 1 karta BM1000 zawiera maksymalnie 255 kodów (karta). Możliwe jest dokonanie instalacji innych kart o innej pojemności pamięci.
- **Izolacja:** klasa III
- **Stopień ochrony obudowy:** IP 54
- **Temperatura eksploatacji:** od -20 °C do +55 °C
- **Użytkowanie w środowisku kwaśnym, zasolonym lub potencjalnie wybuchowym:** Nie
- **Montaż:** pionowy na ścianie.
- **Wymiary (mm):** 70 x 70 x h 26
- **Masa:** 265 g

## 1 - ALGEMENE AANBEVELINGEN EN VOORZORGS- MAATREGELEN

**LET OP!** ● **Belangrijke aanwijzingen voor de veiligheid.** ● **Voor de veiligheid van de betrokken personen is het belangrijk dat deze aanwijzingen worden opgevolgd. Lees daarom deze handleiding aandachtig door voordat u aan het werk gaat.** ● **Bewaar deze aanwijzingen.** ● Alvorens met de installatie te beginnen, moet gecontroleerd worden of het product voor het gewenste type gebruik geschikt is (zie “Gebruikslimieten” en “Technische specificaties” van het product). Als het product niet geschikt is, mag u NIET overgaan tot installatie ervan. ● Behandel het product tijdens de installatie met zorg en voorkom dat het wordt geplet, dat er tegen wordt gestoten, dat het valt of dat het in aanraking komt met eender welke vloeistoffen. Zet het product niet in de buurt van warmtebronnen en stel het niet bloot aan open vuur. Hierdoor zou het beschadigd kunnen raken, waardoor storingen of gevaarlijke situaties kunnen ontstaan. Als dit gebeurt, stopt u de installatie onmiddellijk en wendt u zich tot de klantendienst van Nice. ● Geen enkel onderdeel van het product mag gewijzigd worden. Niet-toegestane handelingen zullen slechts storingen in de werking veroorzaken. De fabrikant aanvaardt geen aansprakelijkheid voor schade die het gevolg is van willekeurig gewijzigde inrichtingen. ● Het product is niet geschikt om gebruikt te worden door personen (kinderen inbegrepen) met fysieke, zintuiglijke of mentale beperkingen of die onvoldoende kennis en/of ervaring hebben. ● Het product kan niet als een effectief beveiligingssysteem tegen inbraak worden beschouwd. Als u zich nog efficiënter wilt beschermen, moet u andere beveiligingsvoorzieningen in de automatisering integreren.

## 2 - BESCHRIJVING VAN HET PRODUCT EN GBRUIKSBESTEMMING

**De ETPB** is een **transponderkaartlezer** uit het **ERA**-assortiment. Hij is bestemd voor de besturing van automatiseringen voor deuren, hekken, garagepoorten, secti-onaalpoorten en andere gelijkaardige producten en laat toe de toegang tot plaatsen en diensten te controleren en deze uitsluitend aan geautoriseerde personen die in het bezit zijn van een geldige kaart (card) te verlenen. De inrichting werkt alleen met Nice-producten die uitgerust zijn met de “BlueBus”-technologie die de besturings-inrichtingen ondersteunt. **LET OP! – Elk ander gebruik dan in deze handleiding is beschreven of dat plaatsvindt in andere omgevingscondities dan in deze handleiding worden beschreven, moet als oneigenlijk en verboden worden beschouwd!** ● De inrichting communiceert met de besturingseenheid en met de andere aanwezige inrichtingen via het “BlueBus”-systeem. Dankzij dit systeem kunnen de aansluitingen “in parallel”, zonder enige polariteit, worden uitgevoerd met 2 geleiders waarlangs de elektrische voeding en de communicatiesignalen lopen. Op één zelfde “BlueBus”-besturingseenheid kunnen tot 4 van de volgende inrichtingen worden aangesloten: ETPB (transponderkaartlezer), EDSB, EDSIB (digitale codeklavieren). Elk van deze inrichtingen moet een ander adres hebben dan de overige inrichtingen (gecreëerd met een jumper – zie **Table 1**), zodat de besturingseenheid de specifieke aard van iedere inrichting tijdens de procedure voor “herkenning van de aangesloten inrichtingen” kan herkennen. Om bescherming tegen eventuele frauduleuze pogingen tot vervanging van een inrichting te garanderen, creëert de besturingseenheid tijdens deze herkenningprocedure een gecodeerde link met alle aanwezige inrichtingen zodat deze met de besturingseenheid verbonden zijn. Meer informatie over het “BlueBus”-systeem vindt u in de instructiehandleiding van de besturingseenheid. ● De ETPB staat alleen toe om een instructie naar de automatisering te verzenden als de gebruiker in het bezit is van een kaart die in de lezer is opgeslagen en geldt voor de instructie die hij wenst te verzenden. Om de instructie te verzenden, moet hij de kaart bij de lezer brengen. Op de geïnstalleerde geheugenkaart (mod. BM1000) kunnen tot 255 kaarten worden opgeslagen. De combinaties van de kaarten en de instructies worden tijdens de programmeerfase via de in deze handleiding vermelde

procedure opgeslagen. De geheugenkaart kan anderzijds ook worden weggenomen en rechtstreeks met een van de programmeereenheden van Nice (O-BOX of MOU) worden geprogrammeerd.

### 3 - GEBRUIKSLIMIETEN VAN HET PRODUCT

● Het product kan uitsluitend worden aangesloten op een besturingseenheid van Nice Spa die uitgerust is met de “BlueBus”-technologie die de besturingsinrichtingen ondersteunt. ● Op één “BlueBus”-besturingseenheid kunnen tot 4 van de volgende inrichtingen worden aangesloten: ETPB (transponderkaartlezer), EDSB, EDSIB (digitale codeklavieren). ● Alvorens tot installatie over te gaan, dient u het hoofdstuk “Technische specificaties” van het product te lezen om te controleren of de omstandigheden waarin u het product wenst te gebruiken, binnen de door de fabrikant bepaalde limietwaarden vallen.

### 4 - INSTALLATIE EN ELEKTRISCHE AANSLUITINGEN

#### 4.1 - Aanbevelingen voor de installatie


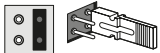
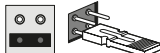
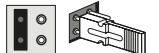
● De ETPB moet op een verticale wand worden geïnstalleerd. ● De ETPB moet worden geïnstalleerd in een omgeving die compatibel is met de totale ruimte die het product inneemt en een vlotte bereikbaarheid van het product garandeert met het oog op

het gebruik en het onderhoud ervan. ● De ETPB moet op een veilige plaats worden geïnstalleerd, waar het beschermd is tegen onvoorziene stoten. ● Om ervoor te zorgen dat de kaart makkelijk bij de lezer kan worden gehouden, plaatst u de ETPB op een hoogte van ca. 1,5 m vanaf de grond. ● De ETPB moet op een solide ondergrond worden geïnstalleerd om een stabiele bevestiging te garanderen.

#### 4.2 - Installatiefasen

● **01.** Lees de instructiehandleiding van de besturingseenheid en bepaal de specificaties van de te gebruiken elektrische kabels. ● **02.** Lees de aanbevelingen aan het begin van hoofdstuk 4 om de positie voor de bevestiging van de voorziene inrichtingen te bepalen. ● **03.** Plaats vooraf de beschermingsbuizen voor de elektrische kabels. ● **04.** Bevestig de voorziene inrichtingen zoals weergegeven in de **afb. 1, 2, 3, 4, 5.** ● **05. LET OP! – Alle aansluitingen moeten worden uitgevoerd als de elektrische voeding is uitgeschakeld.** Steek de elektrische kabels in de beschermingsbuizen en sluit de inrichtingen “parallel” aan (**afb. 6**): hierbij moet geen rekening worden gehouden met enige polariteit. ● **06.** Als er meerdere inrichtingen moeten worden geïnstalleerd (maximaal 4 inrichtingen, ook rekening houdend met eventuele digitale codeklavieren EDSB/EDSIB), moet nu de positie van de jumper bij iedere inrichting worden gewijzigd (**afb. 7**) door een adres te kiezen in **Tabel 1. Let op!** – Iedere inrichting moet een ander adres hebben dan de adressen die in de andere inrichtingen worden gebruikt. ● **07.** Schakel de elektrische stroom naar de besturingseenheid in: het led-lampje “L2” (**afb. 7**) begint te knipperen om het type en de status aan te geven van de in de inrichting geïnstalleerde BM-geheugenkaart (zie **Tabel 2** voor de betekenis van de knippersignalen), eventueel gevolgd door 5 korte knipperingen als het geheugen leeg is. ● **08.** Zoek in de instructiehandleiding van de besturingseenheid de procedure voor “herkenning van de aangesloten inrichtingen” en voer ze vervolgens uit (hierdoor zal de besturingseenheid iedere aangesloten “BlueBus”-inrichting individueel herkennen). ● **09.** Voer de **Programming** van de inrichting uit zoals vermeld in de hoofdstukken 5, 6, 7, 8. ● **10.** Lees na de programmering hoofdstuk 9 over het gebruik van de inrichting en voer vervolgens de procedure voor **oplevering** beschreven in hoofdstuk 10 uit om te controleren of de geïnstalleerde inrichtingen correct werken. ● **11.** Voltooi tot slot de installatie zoals aangegeven in de **afb. 8, 9.**

TABEL 1 - Adressering van de geïnstalleerde inrichtingen

Adres - 1	Adres - 2	Adres - 3	Adres - 4
			

## 5 - BELANGRIJKE AANBEVELINGEN VOOR DE PROGRAMMERING

### 5.1 - Twee programmeermodi: “Easy” en “Professional”

- De ETPB kan worden geprogrammeerd in twee verschillende en elkaar aanvullende modi:
  - **Programming in modus “EASY”** Dit is een eenvoudige programmering die alleen de basisprocedures (vermeld in hoofdstuk 6) voor de opslag en annulering van de kaarten omvat.
  - **Programming in modus “PROFESSIONAL”** Dit is een complexere programmering met veel functies, waarvan enkele specifieke die vooral geschikt zijn voor professionele toepassingen. De procedures die bij deze programmering horen (vermeld in hoofdstuk 7), laten toe om tot 255 kaarten in de lezer op te slaan (dit aantal kan variëren naargelang van de geïnstalleerde geheugenkaart). ● Om de “Professional”-programmering te kunnen uitvoeren, moet u één of twee zogenaamde “MASTER”-kaarten gebruiken. **LET OP! – De “MASTER”-kaarten moeten de eerste kaarten zijn die in de lezer worden opgeslagen.**
- Er zijn alleen verschillen tussen de “Easy”- en de “Professional”-programmering in de programmeerfase en in de verkregen prestaties; wat betreft het gebruik door de

**TABEL 2** - Signalen van het led-lampje “L2” betreffende het BM-geheugen

Signalen led-lampje “L2”	Betekenis
1 knippering (*)	BM60
2 knipperingen (*)	BM250
3 knipperingen (*)	BM1000
4 knipperingen (*)	Geeft de opslag van ongeldige kaarten aan
5 knipperingen (*)	Fout bij het lezen van het geheugen
(*) – Als deze knippering gevolgd wordt door <b>5 (trage) knipperingen</b> , betekent dat dat het geheugen leeg is.	

gebruiker zijn de verschillen miniem.

- **De “Easy”- en de “Professional”-programmering zijn alternatieve mogelijkheden:** m.a.w. de keuze voor een van beide modi moet gebeuren bij de programmering van de eerste kaart. Als de programmeermodus al werd gekozen (= er zit minstens één programmering in het geheugen) en u wenst deze achteraf te wijzigen (van “Easy” naar “Professional” of omgekeerd), zal u eerst het volledige geheugen van de ETPB moeten wissen.
- Tijdens de programmeerfase laat de inrichting geluidssignalen horen om een correcte werking of een fout te melden. Raadpleeg **Tabel 3** voor de respectieve betekenis van deze geluidssignalen.

### 5.2 - Relatie tussen de beschikbare instructies en de gebruiksmodi van de kaarten

- De ETPB-lezer kan naar de besturingseenheid twee verschillende instructies verzenden die we in deze handleiding algemeen als volgt zullen noemen: **instructie nr. 1** en **instructie nr. 2**. Aan elk van deze instructies is in de fabriek een **bewegingsinstructie** toegewezen. De combinaties zijn als volgt:

**TABEL 3** - Geluidssignalen van de lezer tijdens de programmering

Geluidssignaal	Betekenis
1 signaal	Geeft aan dat een <u>geldige kaart</u> vóór de lezer is gepasseerd.
2 opeenvolgende signalen + 1 signaal	Geeft aan dat een <u>ongeldige kaart</u> vóór de lezer is gepasseerd.
3 signalen	Geeft het einde en de goede uitvoering van de programmeerprocedure aan.
5 signalen	Fout tijdens de uitvoering van een programmeerprocedure.
Signaalreeksen	Geeft aan dat er zich een fout heeft voorgedaan en dat de programmeerprocedure mislukt is.

- aan de **instructie nr. 1** is de bewegingsinstructie “**Stap-voor-stap**” toegewezen;
- aan de **instructie nr. 2** is de bewegingsinstructie “**Gedeeltelijke opening**” toegewezen.

**Opmerking** – De in de fabriek toegewezen bewegingsinstructies kunnen op een-der welk moment worden vervangen door andere gewenste instructies (zie **Tabel 4** in hoofdstuk 8). Volg daartoe de procedures in paragraaf 8.3.

- **Een kaart kan met de volgende instructies worden opgeslagen:**

**A – met de instructie nr. 1;**

**B – met de instructie nr. 2;**

**C – met de beide instructies (nr. 1 en nr. 2).**



## Hoofdstuk 6

### PROGRAMMERING VAN DE KAARTEN IN “EASY”

#### PROCEDURES

##### 6.1 Easy



**Een kaart programmeren die geldig is voor alleen instructie nr. 1, of voor alleen instructie nr. 2, of voor de beide instructies (nr. 1 en nr. 2)**

**BELANGRIJK** – Zodra de programmering beëindigd is, kan ze niet worden herhaald. Om achteraf nog kaarten te programmeren, zal de procedure uit paragraaf 8.1 moeten worden gevolgd.

- 01.** Druk op de toets “**T**” (**afb. 7**): de lezer laat met regelmatige tussenpozen geluidssignalen horen; binnen 30 seconden ...
- 02.** ... kiest u de gewenste instructie uit de drie voorgestelde opties en voert u de aangegeven actie uit:

- om **instructie nr. 1** uit te voeren = de nieuwe kaart **1 keer** voor de lezer laten passeren;
- om **instructie nr. 2** uit te voeren = de nieuwe kaart **2 keer** voor de lezer laten passeren;
- om de **instructies nr. 1 en nr. 2** uit te voeren = de nieuwe kaart **3 keer** voor de lezer laten passeren.

- 03.** Na de eerste kaart kunt u andere kaarten programmeren door voor iedere kaart punt 02 te herhalen binnen 10 seconden nadat de voorgaande kaart werd gelezen. **Opmerking** – Bij iedere nieuwe kaart kunt u ook opnieuw kiezen welke van de drie opties u wenst.
- 04.** Om de procedure te beëindigen, wacht u nogmaals 10 seconden nadat de laatste kaart werd gelezen.

.....  
**BELANGRIJK** – Andere functies van de modus “Easy” zijn vermeld in hoofdstuk 8.



## Hoofdstuk 7

### PROGRAMMERING VAN DE KAARTEN IN “PROFESSIONAL”

- De procedures in de modus “Professional” bieden de mogelijkheid om voor iedere gebruiker (of gebruikersgroep) een eigen kaart te programmeren; hierdoor kunnen achteraf makkelijk kaarten worden toegevoegd of verwijderd volgens de behoeften van het ogenblik.
- Deze procedures laten toe om een gewenst aantal kaarten te programmeren (tot 255, afhankelijk van de geïnstalleerde BM-geheugenkaart), bepaalde kaarten te annuleren, ze te tellen, het volledige geheugen te wissen en andere specifieke functies te gebruiken.

- Om de procedures in de modus “Professional” te kunnen uitvoeren, moeten één of twee “MASTER”-kaarten worden gebruikt. Een “MASTER”-kaart is een gewone kaart die verplicht in het begin van de “Professional”-programmering, wanneer het BM-geheugen nog leeg is, moet worden geprogrammeerd. De volgende “MASTER”-kaarten kunnen worden gecreëerd:

- kaarten **“MASTER-1”** en **“MASTER-2”**: alternatief voor de “UNIEKE MASTER”-kaart. De kaart “MASTER-1” dient om instructie nr. 1 op te slaan, de kaart “MASTER-2” dient om instructie nr. 2 op te slaan.
- kaart **“UNIEKE MASTER”**: alternatief voor de kaarten “MASTER-1” en “MASTER-2”. Dient om op één kaart instructie nr. 1 of instructie nr. 2 of de beide instructies (nr. 1 en nr. 2) op te slaan.

**BELANGRIJK** – De kaarten “MASTER-1” en “MASTER-2” dienen om twee verschillende kaartgroepen te creëren (de kaarten van één groep kunnen slechts één van de twee beschikbare instructies activeren). **Als het daarentegen** niet nodig is om twee groepen te creëren, kan één enkele kaart worden geprogrammeerd, de “ENIGE MASTER”-kaart genoemd, die de opdrachten van de kaarten “MASTER-1” en “MASTER-2” uitvoert; daarenboven is het mogelijk om kaarten te creëren voor het activeren van de beide instructies.

- Een “MASTER”-kaart kan alleen worden gebruikt om andere kaarten te programmeren, om de volledige programmering te wissen en om een automatisering te vergrendelen of te ontgrendelen; ze kan niet worden gebruikt om een automatisering te bedienen zoals een gewone kaart. **LET OP!** – **Verlies de gecreëerde “MASTER”-kaarten niet.**

## — Programmering van de “MASTER”-kaarten —

De programmering van de “MASTER”-kaarten is de eerste verricht die moet worden uitgevoerd: dit moet gebeuren wanneer het geheugen van de lezer nog leeg is; in de praktijk zijn dit de eerste kaarten die gedurende minstens 5 seconden vóór de lezer moeten worden gehouden. **LET OP!** – **Volg voor de programmering van de “MASTER”-kaarten slechts een van de beschikbare procedures (7.1 of 7.2).**

### 7.1 Professional



**Programmering van de kaart MASTER-1** (bestemd voor de opslag van de kaarten die instructie nr. 1 zullen activeren) **en de kaart MASTER-2** (bestemd voor de opslag van de kaarten die instructie nr. 2 zullen activeren)

**LET OP!** – Deze procedure is een alternatief voor de procedure in paragraaf 7.2. Ze kan alleen worden uitgevoerd als het geheugen van de lezer leeg is.

01. Verzeker u ervan dat het geheugen van de lezer leeg is.
02. Breng een **nieuwe kaart (dit wordt “MASTER-1”)** vóór de lezer en houd ze gedurende minstens 5 seconden in die positie. Na 5 seconden laat de lezer 3 geluidssignalen kort na elkaar en 1 enkel signaal horen.
03. Haal de kaart na de geluidssignalen weg van de lezer.
04. Breng een **nieuwe kaart, een andere dan de eerste, (dit wordt “MASTER-2”)** vóór de lezer en houd ze gedurende minstens 5 seconden in die positie. Na 5 seconden laat de lezer 3 geluidssignalen kort na elkaar en 1 enkel signaal horen.
05. Haal de kaart na de geluidssignalen weg van de lezer.

### 7.2 Professional



**Programmering van de kaart ENIGE MASTER** (bestemd voor de opslag van de kaarten die instructie nr. 1, instructie nr. 2 of de beide instructies zullen activeren)

**LET OP!** – Deze procedure is een alternatief voor de procedure in paragraaf 7.1. Ze kan alleen worden uitgevoerd als het geheugen van de lezer leeg is.

01. Verzeker u ervan dat het geheugen van de lezer leeg is.
02. Breng een **nieuwe kaart** vóór de lezer en houd ze gedurende minstens 5 seconden in die positie. Na 5 seconden laat de lezer 3 geluidssignalen kort na elkaar en 1 enkel signaal horen.
03. Haal de kaart na de geluidssignalen weg van de lezer.

04. Breng **dezelfde kaart** opnieuw vóór de lezer en houd ze gedurende minstens 5 seconden in die positie. Na 5 seconden laat de lezer 3 geluidssignalen kort na elkaar en 1 enkel signaal horen.

05. Haal de kaart na de geluidssignalen weg van de lezer.

— Programmeringen van de gewone kaarten —



### 7.3 Professional

#### Programmering (met de kaart MASTER-1) van de kaarten die instructie nr. 1 zullen activeren

01. Laat de kaart **MASTER-1** 1 keer vóór de lezer passeren.
02. Laat de **nieuwe kaart** 1 keer vóór de lezer passeren. **Opmerking** – Na de eerste kaart kunt u andere kaarten programmeren door voor iedere kaart punt 02 te herhalen binnen 10 seconden nadat de voorgaande kaart werd gelezen.
03. Om de procedure te beëindigen, laat u de kaart **MASTER-1** 1 keer vóór de lezer passeren of u wacht nogmaals 10 seconden nadat de laatste kaart werd gelezen.

Verdere kaarten kunnen op eender welk moment worden opgeslagen door deze procedure vanaf het begin te herhalen.



### 7.4 Professional

#### Programmering (met de kaart MASTER-2) van de kaarten die instructie nr. 2 zullen activeren

01. Laat de kaart **MASTER-2** 1 keer vóór de lezer passeren.
02. Laat de **nieuwe kaart** 1 keer vóór de lezer passeren. **Opmerking** – Na de eerste kaart kunt u andere kaarten programmeren door voor iedere kaart punt 02 te herhalen binnen 10 seconden nadat de voorgaande kaart werd gelezen.
03. Om de procedure te beëindigen, laat u de kaart **MASTER-2** 1 keer vóór de lezer passeren of u wacht nogmaals 10 seconden nadat de laatste kaart werd gelezen.

Verdere kaarten kunnen op eender welk moment worden opgeslagen door deze procedure vanaf het begin te herhalen.



### 7.5 Professional

#### Programmering (met de kaart ENIGE MASTER) van de kaarten die instructie nr. 1 zullen activeren

01. Laat de kaart **ENIGE MASTER** 1 keer vóór de lezer passeren.
02. Laat de **nieuwe kaart** 1 keer vóór de lezer passeren. **Opmerking** – Na de eerste kaart kunt u andere kaarten programmeren door voor iedere kaart punt 02 te herhalen binnen 10 seconden nadat de voorgaande kaart werd gelezen.
03. Om de procedure te beëindigen, laat u de kaart **ENIGE MASTER** 1 keer vóór de lezer passeren of u wacht nogmaals 10 seconden nadat de laatste kaart werd gelezen.

Verdere kaarten kunnen op eender welk moment worden opgeslagen door deze procedure vanaf het begin te herhalen.



### 7.6 Professional

#### Programmering (met de kaart ENIGE MASTER) van de kaarten die instructie nr. 2 zullen activeren

01. Laat de kaart **ENIGE MASTER** 1 keer vóór de lezer passeren.
02. Laat de **nieuwe kaart** 2 keer vóór de lezer passeren. **Opmerking** – Na de eerste kaart kunt u andere kaarten programmeren door voor iedere kaart punt 02 te herhalen binnen 10 seconden nadat de voorgaande kaart werd gelezen.
03. Om de procedure te beëindigen, laat u de kaart **ENIGE MASTER** 1 keer vóór de lezer passeren of u wacht nogmaals 10 seconden nadat de laatste kaart werd gelezen.

Verdere kaarten kunnen op eender welk moment worden opgeslagen door deze procedure vanaf het begin te herhalen.





## 7.7 Professional

### Programmering (met de kaart ENIGE MASTER) van de kaarten die de instructies nr. 1 en nr. 2 zullen activeren

01. Laat de kaart **ENIGE MASTER** 1 keer vóór de lezer passeren.
02. Laat de **nieuwe kaart** 3 keer vóór de lezer passeren. **Opmerking** – Na de eerste kaart kunt u andere kaarten programmeren door voor iedere kaart punt 02 te herhalen binnen 10 seconden nadat de voorgaande kaart werd gelezen.
03. Om de procedure te beëindigen, laat u de kaart **ENIGE MASTER** 1 keer vóór de lezer passeren of u wacht nogmaals 10 seconden nadat de laatste kaart werd gelezen.

Verdere kaarten kunnen op eender welk moment worden opgeslagen door deze procedure vanaf het begin te herhalen.



## 7.8 Professional

### Eén of meer opgeslagen kaarten annuleren (met eender welke MASTER-kaart)

01. Laat de **MASTER-kaart** (\*) 2 keer vóór de lezer passeren.
02. Laat de **te annuleren kaart** 1 keer vóór de lezer passeren. **Opmerking** – Na de eerste kaart kunt u andere kaarten annuleren door voor iedere kaart punt 02 te herhalen binnen 10 seconden nadat de voorgaande kaart werd gelezen.
03. Om de procedure te beëindigen, laat u de **MASTER-kaart** (dezelfde als in stap 01) 1 keer vóór de lezer passeren of u wacht nogmaals 10 seconden nadat de laatste kaart werd gelezen.

(\*) – Gebruik de kaart MASTER-1, MASTER-2 of ENIGE MASTER in functie van de groep waartoe de te annuleren kaart behoort.

Verdere kaarten kunnen op eender welk moment worden geannuleerd door de procedure vanaf het begin te herhalen.



## 7.9 Professional

### De opgeslagen kaarten tellen (met eender welke MASTER-kaart)

Deze procedure laat toe om het aantal opgeslagen kaarten met instructie nr. 1, met instructie nr. 2 of met beide instructies te tellen.

01. Laat de **MASTER-kaart** (\*) 3 keer vóór de lezer passeren. Deze laat geluidssignaalreeksen horen die als volgt geïnterpreteerd moeten worden:
  - **3 signalen = 1 honderdtal** (bv.: 1 reeks van 3 signalen komt overeen met 100 kaarten)
  - **2 signalen = 1 tiental** (bv.: 3 reeksen van 2 signalen komen overeen met 30 kaarten)
  - **1 signaal = 1 eenheid** (bv.: 4 reeksen van 1 signaal komen overeen met 4 kaarten)
  - **10 signaalreeksen = getal nul.**

(\*) – Gebruik de kaart MASTER-1 of MASTER-2 in functie van de groep (instructie nr. 1 of nr. 2) waartoe de te tellen kaart behoort. Om alle opgeslagen kaarten te tellen (los van de instructie die ze activeren), gebruikt u de kaart ENIGE MASTER.



## 7.10 Professional

### Het gebruik van een kaart beperken tot een bepaald gebruiksaantal (met eender welke MASTER-kaart)

Bij iedere kaart hoort een teller die automatisch aftelt telkens wanneer de kaart wordt gebruikt; wanneer de teller op nul komt, wordt de kaart gedeactiveerd. Het in de fabriek ingestelde gebruiksaantal is onbeperkt. Met deze procedure kan een gebruikslimiet naar keuze voor een kaart worden geprogrammeerd. De maximale limietwaarde die kan worden toegekend, is 999; hogere waarden impliceren onbeperkt gebruik.

01. Laat de **MASTER-kaart** (\*) 4 keer vóór de lezer passeren. Na 2 seconden laat de lezer 3 geluidssignalen horen; dit activeert de honderdtallen.
02. Laat de gewenste kaart vervolgens een aantal keer vóór de lezer passeren gelijk aan



## 7.13 Professional

### Het volledige geheugen wissen met behulp van eender welke MASTER-kaart

Deze procedure wist alle gegevens uit het BM-geheugen van de lezer, inclusief de "MASTER"-kaarten die in het begin werden geprogrammeerd.

01. Laat eender welke **MASTER**-kaart 5 keer vóór de lezer passeren.
02. Wacht tot de lezer 3 geluidssignalen laat horen.
03. Na het derde geluidssignaal brengt u dezelfde **MASTER**-kaart als in punt 01 onmiddellijk naar de lezer; houd ze in die positie.
04. Wacht tot de lezer 5 geluidssignalen laat horen.
05. Na het vijfde geluidssignaal haalt u de **MASTER**-kaart onmiddellijk weg van de lezer: de inrichting laat 3 geluidssignalen horen en vervolgens knippert ze 5 maal traag om aan te geven dat het geheugen leeg is.
06. Tot slot voert u opnieuw de procedure uit voor het herkennen van de inrichtingen die op de besturingseenheid zijn aangesloten, zoals beschreven in de handleiding van de besturingseenheid.

Na de procedure zal het nodig zijn om de inrichting opnieuw te programmeren. **Opmerking** – Wanneer u met een nieuwe programmering start, zult u opnieuw kunnen kiezen welke modus u wenst voor de herprogrammering van de inrichting ("Easy" of "Professional").

.....  
**BELANGRIJK**– Andere functies van de modus "Professional" zijn vermeld in hoofdstuk 8.

het aantal **honderdtallen** dat u wilt programmeren (10 keer = onbeperkt gebruik).

03. Na 2 seconden laat de lezer 2 geluidssignalen horen; dit activeert de **tientallen**.
04. Laat de gewenste kaart vervolgens een aantal keer vóór de lezer passeren gelijk aan het aantal **tientallen** dat u wilt programmeren.
05. Na 2 seconden laat de lezer 1 geluidssignaal horen; dit activeert de **eenheden**.
06. Laat de gewenste kaart vervolgens een aantal keer vóór de lezer passeren gelijk aan het aantal **eenheden** dat u wilt programmeren.

(\*) – Gebruik de kaart MASTER-1, MASTER-2 of ENIGE MASTER in functie van de groep (instructie nr. 1 of nr. 2) waartoe de kaart behoort waarvan u het gebruik wilt beperken.



## 7.11 Professional

### De automatisering vergrendelen met behulp van eender welke MASTER-kaart

01. Laat eender welke **MASTER**-kaart 7 keer vóór de lezer passeren.
02. Breng dezelfde **MASTER**-kaart als in punt 01 vóór de lezer en houd ze in die positie; wacht vervolgens totdat de lezer 1 geluidssignaal laat horen.
03. Haal de kaart na het geluidssignaal weg van de lezer. **Opmerking** – Als de procedure correct is uitgevoerd, laat de lezer 3 geluidssignalen horen.



## 7.12 Professional

### De automatisering ontgrendelen met behulp van eender welke MASTER-kaart

01. Laat eender welke **MASTER**-kaart 7 keer vóór de lezer passeren.
02. Breng dezelfde **MASTER**-kaart als in punt 01 vóór de lezer en houd ze in die positie; wacht vervolgens totdat de lezer 2 geluidssignalen laat horen.
03. Haal de kaart na het geluidssignaal weg van de lezer. **Opmerking** – Als de procedure correct is uitgevoerd, laat de lezer 3 geluidssignalen horen.

## 8 - BIJKOMENDE INFORMATIE – GEMEENSCHAPPELIJKE PROCEDURES VOOR DE TWEE PROGRAMMEERMODI: “EASY” EN “PROFESSIONAL”

### 8.1 - Een nieuwe kaart programmeren via een tweede al geprogrammeerde kaart

01. Breng de nieuwe kaart vóór de lezer en houd ze gedurende minstens 5 seconden in die positie. Haal de kaart daarna weg van de lezer.
02. Laat een al geprogrammeerde oude kaart 3 keer vóór de lezer passeren.
03. Laat de nieuwe kaart 1 keer vóór de lezer passeren.

Om een volgende kaart op te slaan, herhaalt u de procedure vanaf het begin.

### 8.2 - Het volledige geheugen wissen

Deze procedure wist alle gegevens uit het BM-geheugen van de lezer, inclusief eventuele “MASTER”-kaarten die eerder werden geprogrammeerd.

01. Druk op de toets “**T**” (afb. 7) op de lezer en houd deze ingedrukt; het led-lampje “**L1**” brandt gedurende 3 seconden en knippert daarna 3 keer; ...
02. ... laat de toets precies tijdens de derde knippering los. Na enkele ogenblikken knippert het led-lampje “**L1**” een aantal keer en enkele seconden daarna, als de procedure correct werd uitgevoerd, laat de lezer 3 geluidssignalen horen, om vervolgens 5 keer traag te knippen ter bevestiging dat het geheugen leeg is.
03. Tot slot voert u opnieuw de procedure uit voor het herkennen van de inrichtingen die op de besturingseenheid zijn aangesloten, zoals beschreven in de handleiding van de besturingseenheid.

Na de procedure zal het nodig zijn om de inrichting opnieuw te programmeren. **Opmerking** – Wanneer u met een nieuwe programmering start, zult u opnieuw kunnen kiezen welke modus u wenst voor de herprogrammering van de inrichting (“Easy” of “Professional”).

### 8.3 - De aan een kaart toegewezen bewegingsinstructie wijzigen (met de procedures 8.3.1, 8.3.2, 8.3.3)

Deze functie biedt de mogelijkheid om de bewegingsinstructie die in de fabriek aan een kaart werd toegewezen (zie paragraaf 5.2), te wijzigen. De gewenste nieuwe instructie kiest u in de kolom “Bewegingsinstructie” van **Tabel 4**. **Let op!** – Enkele instructies zouden kunnen verschillen van de instructies die worden beheerd door de besturingseenheid waarop de lezer is aangesloten (zie de instructiehandleiding van de besturingseenheid).

#### 8.3.1 - Procedure voor wijziging van bewegingsinstructie nr. 1 of nr. 2 met een kaart geprogrammeerd voor activering van EEN ENKELE INSTRUCTIE

01. Laat de kaart waarvan u de bewegingsinstructie wilt wijzigen, vóór de lezer passeren: de lezer laat een geluidssignaal horen en activeert meteen de beweging; het led-lampje “**L1**” (afb. 7) begint tegelijkertijd te knippen, gevolgd door een pauze, om aan te geven welk type beweging wordt uitgevoerd.
02. Kies in **Tabel 4** de gewenste nieuwe beweging en noteer hoeveel keer het led-lampje “**L1**” knippert bij deze beweging.

**TABEL 4** - Bewegingsinstructies gelinkt aan de instructie nr. 1 of de instructie nr. 2 van een kaart

Signaal led-lampje “L1”	Bewegingsinstructie
1 knippering + pauze	STAP-VOOR-STAP (in de fabriek gelinkt aan <u>instructie nr. 1</u> )
2 knippering + pauze	OPENEN
3 knippering + pauze	SLUITEN
4 knippering + pauze	GEDEELTELIJK OPENEN (in de fabriek gelinkt aan <u>instructie nr. 2</u> )
5 knippering + pauze	STOP
6 knippering + pauze	GEBRUIKERSLICHT

03. Druk op de toets “**T**” (één of meerdere keren) om de lijst met beschikbare instructies te doorlopen en de in punt 02 gekozen bewegingsinstructie in te stellen (bij iedere druk op de toets knippert het led-lampje “**L1**” één keer meer dan de vorige keer).
04. Laat de in punt 01 gebruikte kaart vóór de lezer passeren: de lezer laat een geluidssignaal horen en activeert onmiddellijk de nieuwe beweging; het led-lampje “**L1**” begint tegelijkertijd te knippen, gevolgd door een pauze, om de nieuwe ingestelde beweging te melden.

### **8.3.2 - Procedure voor wijziging van bewegingsinstructie nr. 1 met een kaart geprogrammeerd voor activering van DE BEIDE INSTRUCTIES**

01. Breng **de kaart waarvan u de bewegingsinstructie wilt wijzigen**, vóór de lezer en houd ze in die positie: de lezer laat een geluidssignaal horen en laat na 1 seconde nog een signaal horen waardoor de beweging meteen wordt geactiveerd; het led-lampje “**L1**” (afb. 7) begint tegelijkertijd te knippen, gevolgd door een pauze, om aan te geven welk type beweging wordt uitgevoerd.
02. Kies in **Tabel 4** de gewenste nieuwe beweging en noteer hoeveel keer het led-lampje “**L1**” knippert bij deze beweging.
03. Druk op de toets “**T**” (één of meerdere keren) om de lijst met beschikbare instructies te doorlopen en de in punt 02 gekozen bewegingsinstructie in te stellen (bij iedere druk op de toets knippert het led-lampje “**L1**” één keer meer dan de vorige keer).
04. Breng de in punt 01 gebruikte kaart vóór de lezer en houd ze in die positie: de lezer laat een geluidssignaal horen en laat na 1 seconde nog een signaal horen waardoor de nieuwe beweging meteen wordt geactiveerd. Het led-lampje “**L1**” begint te knippen, gevolgd door een pauze, om de nieuwe ingestelde beweging te melden.

### **8.3.3 - Procedure voor wijziging van bewegingsinstructie nr. 2 met een kaart geprogrammeerd voor activering van DE BEIDE INSTRUCTIES**

01. a) - Laat de kaart vóór de lezer passeren (**de kaart waarvan u de bewegingsinstructie wilt wijzigen**): nadat een geluidssignaal heeft weerklonken, haalt u de kaart meteen weg van de lezer; vervolgens ...

- b) - laat u (binnen 2 seconden) de kaart opnieuw vóór de lezer passeren: hierdoor weerklinkt een geluidssignaal en wordt de beweging onmiddellijk geactiveerd; het led-lampje “**L1**” (afb. 7) begint tegelijkertijd te knippen, gevolgd door een pauze, om aan te geven welk type beweging wordt uitgevoerd.
02. Kies in **Tabel 4** de gewenste nieuwe beweging en noteer hoeveel keer het led-lampje “**L1**” knippert bij deze beweging.
  03. Druk op de toets “**T**” (één of meerdere keren) om de lijst met beschikbare instructies te doorlopen en de in punt 02 gekozen bewegingsinstructie in te stellen (bij iedere druk op de toets knippert het led-lampje “**L1**” één keer meer dan de vorige keer).
  04. a) - Laat de in punt 01 gebruikte kaart vóór de lezer passeren: nadat een geluidssignaal heeft weerklonken, haalt u de kaart meteen weg van de lezer; vervolgens ...  
b) - laat u (binnen 2 seconden) de kaart opnieuw vóór de lezer passeren: hierdoor weerklinkt een geluidssignaal en wordt de beweging onmiddellijk geactiveerd; het led-lampje “**L1**” (afb. 7) begint tegelijkertijd te knippen, gevolgd door een pauze, om de nieuwe ingestelde beweging te melden.

## **9 - GEBUIK VAN DE KAARTEN NA HUN OPSLAG – GIDS VOOR DE INSTALLATEUR EN DE EINDGEBRUIKER**

- Het gebruik van de lezer ETPB baseert zich op de herkenning van de eenduidige code van iedere kaart die in de lezer is opgeslagen. Wanneer een kaart bij de lezer wordt gebracht, verzendt ze haar eigen identificatiecode; indien deze code in het geheugen van de ETPB zit, verzendt de lezer instructie nr. 1 of nr. 2 naar de besturingseenheid (m.a.w. de instructie die tijdens de programmering van de kaart werd toegewezen). Indien de kaart niet in het geheugen van de ETPB-lezer is opgeslagen, weerklinkt een geluidssignaal om de fout te melden.
- **Om de automatisering te kunnen bedienen, moet de gebruiker in het bezit zijn van één (of meerdere) opgeslagen kaart(en) en van de installateur de volgende informatie krijgen om de kaart correct te kunnen gebruiken:**

- **NUMMER VAN DE INSTRUCTIE:** dit is de instructie die de lezer naar de automatisering verzendt wanneer de kaart vóór de lezer wordt gehouden: **instructie nr. 1, instructie nr. 2** of **de beide instructies** (nr. 1 en nr. 2).
- **TYPE BEWEGING:** dit is de beweging (bv.: **gedeeltelijke opening of iets anders ...**) die bij het nummer van de instructie hoort (nr. 1 of nr. 2).
- **GEBRUIKSMODUS VAN DE KAART:** dit is de modus waarin de kaart vóór de lezer moet worden gehouden. De gebruiksmodi onderscheiden zich door het aantal instructies dat een kaart via de lezer naar de automatisering kan verzenden.

● **Hoe een kaart gebruiken waarmee EEN enkele instructie kan worden geactiveerd?**

● **Om instructie nr. 1 te verzenden**

Laat de kaart vóór de lezer passeren: hierdoor weerklinkt een geluidssignaal en wordt de beweging onmiddellijk geactiveerd.

● **Om instructie nr. 2 te verzenden**

Laat de kaart vóór de lezer passeren: hierdoor weerklinkt een geluidssignaal en wordt de beweging onmiddellijk geactiveerd.

● **Hoe een kaart gebruiken waarmee TWEE instructies kunnen worden geactiveerd?**

● **Om instructie nr. 1 te verzenden**

Breng de kaart vóór de lezer en houd ze in die positie: de lezer laat een geluidssignaal horen en laat na 1 seconde nog een signaal horen waardoor de bewe-

**TABEL 5** - Signalen van het led-lampje “L2” betreffende de werking van de lezer in het “BlueBus”-systeem

Signaal led-lampje “L2”	Betekenis
Continu brandend	Lezer gesynchroniseerd met het “BlueBus”-systeem
3 knipperingen + 1 pauze	Lezer NIET gesynchroniseerd met het “BlueBus”-systeem
2 knipperingen + 1 pauze	Lezer niet geadresseerd (zonder jumper)

ging meteen wordt geactiveerd.

● **Om instructie nr. 2 te verzenden**

1) - Laat de kaart vóór de lezer passeren: nadat een geluidssignaal heeft weerklinken, **haalt u de kaart meteen weg van de lezer**; vervolgens ...

2) - laat u (binnen 2 seconden) de kaart opnieuw vóór de lezer passeren: hierdoor weerklinkt een geluidssignaal en wordt de beweging onmiddellijk geactiveerd.

- Als het led-lampje “L2” begint te knipperen, kunt u in **Tabel 5** de betekenis daarvan terugvinden.

## 10 - OPLEVERING

Na de programmering moet u controleren of de lezer en de opgeslagen kaarten correct werken. Ga daartoe als volgt te werk:

- a) - Verifieer of de voorschriften van hoofdstuk 1 - Algemene aanbevelingen en voorzorgsmaatregelen worden nageleefd.
- b) - Lees hoofdstuk 9 over het correcte gebruik van de kaarten en de lezer.
- c) - Laat een geldige kaart (die in de lezer is opgeslagen) vóór de lezer passeren en controleer of de automatisering de verzonden instructie uitvoert. Als dat niet gebeurt, leest u hoofdstuk 11 - “Wat te doen als ... (problemen oplossen)”.
- d) - Voer de in het vorige punt beschreven controle uit voor eventuele andere kaarten die in de lezer zijn opgeslagen.

## 11 - WAT TE DOEN ALS... (problemen oplossen)

- **Het led-lampje “L2” knippert enkele keren (zie Tabel 5):** verzeker u ervan dat de jumper correct is geplaatst; synchroniseer de lezer eventueel met het “Bluebus”-systeem door de procedure voor het herkennen van de inrichtingen die op de besturingseenheid zijn aangesloten uit te voeren zoals beschreven in de handleiding van de besturingseenheid.

- **(wanneer meerdere lezers op eenzelfde besturingseenheid zijn aangesloten).** Nadat u een geldige kaart vóór de lezer hebt laten passeren, wordt de instructie niet uitgevoerd en het led-lampje “L2” begint te knipperen:

controleer het adres van iedere aangesloten “BlueBus”-inrichting (zie punt 06 van paragraaf 4.2).

- **Nadat u een geldige kaart vóór de lezer hebt laten passeren, laat de lezer geen enkel geluidssignaal horen:** controleer of het BM-geheugen correct is ingevoegd.
- **Nadat u een geldige kaart vóór de lezer hebt laten passeren, knippert het led-lampje “L1” om aan te geven dat de lezer de instructie heeft geactiveerd, maar dat de automatisering de beweging niet heeft uitgevoerd:** voer de procedure voor het herkennen van de inrichtingen die op de besturingseenheid zijn aangesloten opnieuw uit (zie punt 08 van paragraaf 4.2); of verzeker u ervan dat de automatisering niet vergrendeld is: eventueel ontgrendelen via procedure 7.13.
- **Het toetsenbord schakelt niet in:** controleer met een aangepast instrument of het “BlueBus”-netwerk onder spanning (V DC) staat.

## 12 - ONDERHOUD VAN HET PRODUCT

Het product vereist geen specifiek onderhoud; we raden aan de buitenoppervlakken schoon te maken met een zachte en licht met water bevochtigde doek. Gebruik geen agressieve of schurende substanties zoals reinigingsmiddelen, oplosmiddelen en gelijkaardige producten.

## 13 - AFVALVERWERKING VAN HET PRODUCT

Dit product maakt integraal deel uit van de automatisering en moet dan ook samen met de automatisering worden afgedankt. • Net als voor de installatiehandelingen moeten ook de handelingen voor afdanking aan het einde van de levensduur van dit product door gekwalificeerd personeel worden uitgevoerd. • Dit product bestaat uit verschillende soorten materialen: sommige kunnen gerecycled worden, andere moeten verwerkt worden. Informeer u over de methoden voor recycling of afvalverwerking die voorzien zijn in de voorschriften die in uw regio voor deze productcategorie gelden. **Let op!** – Bepaalde onderdelen van het product kunnen verontreinigende of gevaarlijke stoffen bevatten die bij aanraking met het milieu schadelijke gevolgen

voor het milieu of de volksgezondheid kunnen hebben. • Zoals door het symbool hiernaast wordt aangegeven, is het verboden dit product met het huishoudelijk afval weg te gooien. Pas dus “gescheiden afvalinzameling” voor afdanking toe, volgens de methodes voorzien in de voor uw regio geldende voorschriften, of lever het product weer in bij de verkoper op het moment dat u een nieuw gelijksoortig product aanschaft. **Let op!** – De plaatselijke regelgeving kan zware straffen voorzien in geval van illegale dumping van dit product. • Het verpakkingsmateriaal van het product moet conform de plaatselijke verordeningen worden afgedankt.



## TECHNISCHE SPECIFICATIES

**WAARSCHUWINGEN:** • Alle vermelde technische specificaties hebben betrekking op een omgevingstemperatuur van 20 °C (± 5 °C). • Nice S.p.A. behoudt zich het recht voor om, op elk moment dat dit noodzakelijk wordt geacht, wijzigingen aan het product aan te brengen, waarbij hoe dan ook de gebruiksbestemming en de functionaliteit ervan gelijk blijven.

- **Type:** toegangscontrolesysteem met gebruik van passieve transponderkaart bij 125 kHz, 32 bit alleen-lezen (gebruik de beschikbare modellen uit de productencatalogus van Nice).
- **Toegepaste technologie:** “BlueBus”-systeem.
- **Verlichting:** rood led-lampje aan de voorkant van de lezer.
- **Lengte aansluitingskabel:** zie de instructiehandleiding van de besturingseenheid betreffende de aansluiting van een “BlueBus”-inrichting aan de besturingseenheid.
- **Voeding:** de lezer wordt van stroom voorzien door de besturingseenheid, via het systeem voor “Bluebus”-aansluiting en communicatie.
- **Opgenomen stroom:** 2 “BlueBus”-eenheden.
- **Detectieafstand:** met kaart vóór de lezer, op een maximale afstand van ca. 4 cm ervan.
- **Geheugencapaciteit:** 1 kaart BM1000 bevat maximaal 255 codes (kaarten). Het is mogelijk om andere kaarten met een verschillende geheugencapaciteit te installeren.
- **Isolatie:** klasse III
- **Beschermingsgraad van de behuizing:** IP 54
- **Bedrijfstemperatuur:** van -20 °C tot +55 °C
- **Gebruik in zure, zoute of potentieel explosieve omgeving:** neen
- **Montage:** verticale wandbevestiging
- **Afmetingen (mm):** 70 x 70 x h 26
- **Gewicht:** 265 g

**EN - Appendix**

**IT - Appendice**

**FR - Appendice**

**ES - Apéndice**

**DE - Anhang**

**PL - Załącznik**

**NL - Bijlage**

## EN - CE DECLARATION OF CONFORMITY

Declaration in compliance with Directive 1999/5/EC

**Note** – The content of this declaration corresponds to that specified in the official document deposited at the Nice S.p.a. headquarters and, in particular, to the latest revised edition available prior to the publishing of this manual. The text herein has been edited for editorial purposes. A copy of the original declaration can be requested from Nice S.p.a. (TV) I.


Declaration number: **518/ETPB** Revision: **0** Languages: **EN**

The undersigned Mauro Sordini, Chief Executive Officer, declares under his sole responsibility that the following product: • **Manufacturer's Name:** NICE S.p.a. • **Address:** Via Pezza Alta, 13, 31046 Rustignè di Oderzo (TV) Italy • **Type of product:** transponder card reader • **Model/type:** ETPB • **Accessories:** MOCARD, MOCARDP, HSB1, conforming to requirements of the following EU directives in relation to their intended use:

DIRECTIVE 1999/5/EC OF THE EUROPEAN PARLIAMENT AND OF THE COUNCIL of 9 March 1999 on radio equipment and telecommunications terminal equipment and the mutual recognition of their conformity, in accordance with the following harmonised standards: • **health protection:** (art. 3(1)(a)): EN 62479:20102 • **electrical safety:** (art. 3(1)(a)): EN 60950-1:2006 + A11:2009 + A12:2011 + A1:2010 + A2:2013 • **electromagnetic compatibility:** (art. 3(1)(b)): EN 301 489-1 V1.9.2:2011; EN 301 489-3 V1.6.1:2013 • **radiofrequency spectrum:** (art. 3(3)): EN 300 330-2 V2.4.1:2012

In accordance with the directive 1999/5/EC (appendix V), the product is class 1 and marked: **CE 0682**

Oderzo, 30 september 2014

 Mr. **Mauro Sordini**  
(Chief Executive Officer)

## IT - DICHIARAZIONE CE DI CONFORMITÀ

Dichiarazione in accordo alla Direttiva 1999/5/CE

**Nota** – Il contenuto di questa dichiarazione corrisponde a quanto dichiarato nel documento ufficiale depositato presso la sede di Nice S.p.a., e in particolare, alla sua ultima revisione disponibile prima della stampa di questo manuale. Il testo qui presente è stato riadattato per motivi editoriali. Copia della dichiarazione originale può essere richiesta a Nice S.p.a. (TV) I.


Numero dichiarazione: **518/ETPB** Revisione: **0** Lingue: **IT**

Il sottoscritto Mauro Sordini, in qualità di Amministratore Delegato, dichiara sotto la propria responsabilità che il prodotto: • **nome produttore:** NICE s.p.a. • **indirizzo:** Via Pezza Alta, 13, 31046 Rustignè di Oderzo (TV) Italia • **tipo di prodotto:** lettore di prossimità per tessere a transponder • **modello/tipo:** ETPB • **accessori:** MOCARD, MOCARDP, HSB1, risulta conforme a quanto previsto dalle seguenti direttive comunitarie, per l'uso al quale i prodotti sono destinati:

DIRETTIVA 1999/5/CE DEL PARLAMENTO EUROPEO E DEL CONSIGLIO del 9 marzo 1999 riguardante le apparecchiature radio e le apparecchiature terminali di comunicazione e il reciproco riconoscimento della loro conformità, secondo le seguenti norme armonizzate: • **protezione della salute:** (art. 3(1)(a)): EN 62479:20102 • **sicurezza elettrica:** (art. 3(1)(a)): EN 60950-1:2006 + A11:2009 + A12:2011 + A1:2010 + A2:2013 • **compatibilità elettromagnetica:** (art. 3(1)(b)): EN 301 489-1 V1.9.2:2011; EN 301 489-3 V1.6.1:2013 • **spettro radio:** (art. 3(3)): EN 300 330-2 V2.4.1:2012

In accordo alla direttiva 1999/5/CE (allegato V), il prodotto risulta di classe 1 e marcato: **CE 0682**

Oderzo, 30 settembre 2014

 Ing. **Mauro Sordini**  
(Amministratore Delegato)



## FR - DÉCLARATION CE DE CONFORMITÉ

Déclaration conforme à la Directive 1999/5/CE

**Remarque** – Le contenu de cette déclaration correspond en tous points au document officiel déposé au siège de la société Nice S.p.a. et, plus particulièrement, à sa dernière révision disponible avant l'impression de ce manuel. Le présent texte a été réadapté pour des raisons d'édition. Une copie de la déclaration originale peut être demandée à Nice S.p.a. (TV) I.

Numéro de déclaration : **518/ETPB** Révision : **0** Langues : **FR**

Je soussigné Mauro Sordini en qualité de Chief Executive Officer, déclare sous mon entière responsabilité que le produit : • **nom du producteur** : NICE S.p.a. • **adresse** : Via Pezza Alta, 13, 31046 Rustignè di Oderzo (TV) Italia • **type de produit** : lecteur de cartes à transpondeur • **modèle/type** : ETPB • **accessoires** : MOCARD, MOCARDP, HSB1, est conforme aux dispositions des directives communautaires suivantes pour l'usage auquel les produits sont destinés :

DIRECTIVE 1999/5/CE DU PARLEMENT EUROPÉEN ET DU CONSEIL du 9 mars 1999 concernant les équipements hertziens et les terminaux de télécommunications et la reconnaissance mutuelle de leur conformité, selon les normes harmonisées suivantes : • **protection de la santé** : (art. 3(1)(a)) : EN 62479:2010 • **sécurité électrique** : (art. 3(1)(a)) : EN 60950-1:2006 + A11:2009 + A12:2011 + A1:2010 + A2:2013 • **compatibilité électromagnétique** : (art. 3(1)(b)) : EN 301 489-1 V1.9.2:2011; EN 301 489-3 V1.6.1:2013 • **spectre radioélectrique** : (art. 3(3)) : EN 300 330-2 V2.4.1:2012

Conformément à la directive 1999/5/CE (annexe V), le produit résulte de classe 1 et est marqué : **CE 0682**

Oderzo, le 30 septembre 2014

 Ing. **Mauro Sordini**  
(Chief Executive Officer)

## ES - DECLARACIÓN CE DE CONFORMIDAD

Declaración de acuerdo con la Directiva 1999/5/CE

**Nota** – El contenido de esta declaración corresponde a lo declarado en el documento oficial depositado en la sede de Nice S.p.a. y, en particular, a su última revisión disponible antes de la impresión de este manual. El texto ha sido readaptado por motivos de impresión. No obstante, se puede solicitar una copia de la declaración original a Nice S.p.a. (TV) I.

Número de declaración: **518/ETPB** Revisión: **0** Idiomas: **ES**

El que suscribe, Mauro Sordini, en calidad de Chief Executive Officer, declara bajo su propia responsabilidad que el producto: • **nombre del fabricante**: NICE s.p.a. • **dirección**: Via Pezza Alta, 13, 31046 Rustignè di Oderzo (TV) Italia • **tipo de producto**: lector de tarjetas con transponder • **modelo/tipo**: ETPB • **accesorios**: MOCARD, MOCARDP, HSB1, resulta conforme a las siguientes directivas comunitarias para el uso al que está destinado:

DIRECTIVA 1999/5/CE DEL PARLAMENTO EUROPEO Y DEL CONSEJO del 9 de marzo de 1999 relativa a los equipos radioeléctricos y equipos terminales de comunicación y al recíproco reconocimiento de su conformidad según las siguientes normas armonizadas: • **protección de la salud**: (art. 3(1)(a)): EN 62479:2010 • **seguridad eléctrica**: (art. 3(1)(a)): EN 60950-1:2006 + A11:2009 + A12:2011 + A1:2010 + A2:2013 • **compatibilidad electromagnética**: (art. 3(1)(b)): EN 301 489-1 V1.9.2:2011; EN 301 489-3 V1.6.1:2013 • **espectro radioeléctrico**: (art. 3(3)): EN 300 330-2 V2.4.1:2012

De acuerdo con la directiva 1999/5/CE (anexo V), el producto es de clase 1 y está marcado: **CE 0682**

Oderzo, 30 de Septiembre de 2014

 Ing. **Mauro Sordini**  
(Chief Executive Officer)

## DE - CE-KONFORMITÄTSERKLÄRUNG

Erklärung in Übereinstimmung mit der Richtlinie 1999/5/EG

**Hinweis** - Der Inhalt dieser Erklärung stimmt mit dem offiziell beim Geschäftssitz der Nice S.p.a. hinterlegten Dokument überein, insbesondere mit der letzten, vor dem Druck dieses Handbuchs verfügbaren Revision. Dieser Text wurde aus sprachtechnischen Gründen angepasst. Eine Kopie der Originalerklärung kann bei Nice S.p.a. (TV) angefordert werden.


Nummer der Erklärung: **518/ETPB** Überarbeitung: **0** Sprache: **IT**

Der Unterzeichner Mauro Sordini erklärt als Chief Executive Officer unter seiner Haftung, dass das Produkt: • **Herstellername:** NICE S.p.a. • **Adresse:** Via Pezza Alta 13, 31046 Rustignè di Oderzo (TV) Italien • **Produkttyp:** Lesegerät für Transponderkarten aus • **Modell/Typ:** ETPB • **Zubehörteile:** MOCARD, MOCARDP, HSB1, konform mit den nachstehenden EU-Richtlinien in Bezug auf den Verwendungszweck des Produkts ist:

RICHTLINIE 1999/5/EG DES EUROPÄISCHEN PARLAMENTS UND DES RATES VOM 9. März 1999 über Funkanlagen und Telekommunikationsendgeräte und die gegenseitige Anerkennung ihrer Konformität, gemäß den folgenden harmonisierten Normen: • **Gesundheitsschutz:** (Art. 3(1)(a)): EN 62479:2010 • **Elektrische Sicherheit:** (Art. 3(1)(a)): EN 60950-1:2006 + A11:2009 + A12:2011 + A1:2010 + A2:2013 • **Elektromagnetische Verträglichkeit:** (Art. 3(1)(b)): EN 301 489-1 V1.9.2:2011; EN 301 489-3 V1.6.1:2013 • **Funkspektrum:** (Art. 3(3)): EN 300 330-2 V2.4.1:2012

Gemäß der Richtlinie 1999/5/EG (Anhang V) gehört das Produkt der Klasse 1 an und ist wie folgt gekennzeichnet: **CE 0682**

Oderzo, 30. September 2014

 Ing. **Mauro Sordini**  
(Chief Executive Officer)

## PL - DEKLARACJA ZGODNOŚCI CE

Deklaracja zgodna z Dyrektywą 1999/5/WE

**Uwaga** - Zawartość niniejszej deklaracji zgodności odpowiada oświadczeniom znajdującym się w oficjalnym dokumencie złożonym w siedzibie firmy Nice S.p.a., w szczególności ostatnim zmianom dostępnym przed wydrukowaniem niniejszej instrukcji. Niniejszy tekst został dostosowany w celach wydawniczych. Kopię oryginalnej deklaracji można uzyskać w siedzibie spółki Nice S.p.a. (TV) I.


Numer deklaracji: **518/ETPB** Wydanie: **0** Języki: **IT**

Ja, niżej podpisany Mauro Sordini, jako Chief Executive Officer deklaruję na własną odpowiedzialność, że produkt: • **nazwa producenta:** NICE s.p.a. • **adres:** Via Pezza Alta, 13, 31046 Rustignè di Oderzo (TV) Italia • **typ produktu:** czynnikiem kart zbliżeniowych • **model/typ:** ETPB • **urządzenia dodatkowe:** MOCARD, MOCARDP, HSB1, zgodne z wymaganiami następujących dyrektyw europejskich w zakresie użycia, do którego te urządzenia są przeznaczone:

DYREKTYWA PARLAMENTU EUROPEJSKIEGO I RADY NR 1999/5/WE z dnia 9 marca 1999 r. w sprawie urządzeń radiowych i końcowych urządzeń telekomunikacyjnych oraz wzajemnego uznawania ich zgodności, zgodnie z następującymi normami zharmonizowanymi: • **ochrona zdrowia:** (art. 3(1)(a)): EN 62479:2010 • **bezpieczeństwo elektryczne:** (art. 3(1)(a)): EN 60950-1:2006 + A11:2009 + A12:2011 + A1:2010 + A2:2013 • **kompatybilność elektromagnetyczna:** (art. 3(1)(b)): EN 301 489-1 V1.9.2:2011; EN 301 489-3 V1.6.1:2013 • **widmo radiowe:** (art. 3(3)): EN 300 330-2 V2.4.1:2012

Zgodnie z dyrektywą 1999/5/WE (Załącznik V) produktowi została przyznana klasa 1 i został on oznaczony: **CE 0682**

Oderzo, dnia 30 wrzesień 2014 roku

 Inż. **Mauro Sordini**  
(Chief Executive Officer)

## NL - EG-VERKLARING VAN OVEREENSTEMMING

Verklaring in overeenstemming met de Richtlijn 1999/5/EG

**N.B.** – De inhoud van deze verklaring stemt overeen met hetgeen verklaard is in het officiële document dat is neergelegd bij de vestiging van Nice S.p.A., en in het bijzonder met de laatste revisie hiervan die vóór het afdrukken van deze handleiding beschikbaar was. De onderhavige tekst werd om redactionele redenen aangepast. Een kopie van de originele verklaring kan worden aangevraagd bij Nice S.p.A. (TV) I.


Nummer verklaring: **518/ETPB** Revisie: **0** Talen: **NL**

Ondergetekende Mauro Sordini, in diens hoedanigheid van Chief Executive Officer, verklaart onder zijn eigen verantwoordelijkheid dat het product: • **naam fabrikant:** NICE S.p.A. • **adres:** Via Pezza Alta, 13, 31046 Rustignè di Oderzo (TV) Italië • **producttype:** transponderkaartlezer • **model/type:** ETPB • **accessoires:** MOCARD, MOCARDP, HSB1, voldoet aan hetgeen is bepaald in de volgende richtlijnen van de Europese Gemeenschap, voor wat betreft het gebruik waarvoor deze producten zijn bestemd:

RICHTLIJN 1999/5/EG VAN HET EUROPESE PARLEMENT EN VAN DE RAAD van 9 maart 1999 betreffende radioapparatuur en telecommunicatie-eindapparatuur en de wederzijdse erkenning van hun conformiteit, volgens de volgende geharmoniseerde normen: • bescherming van de gezondheid: (art. 3(1)(a)): EN 62479:2010 • elektrische veiligheid: (art. 3(1)(a)): EN 60950-1:2006 + A11:2009 + A12:2011 + A1:2010 + A2:2013 • elektromagnetische compatibiliteit: (art. 3(1)(b)): EN 301 489-1 V1.9.2:2011, EN 301 489-3 V1.6.1:2013 • radiospectrum: (art. 3(3)): EN 300 330-2 V2.4.1:2012

In overeenstemming met de Richtlijn 1999/5/EG (bijlage V) behoort het product tot de klasse 1 en draagt het het keurmerk: **CE 0682**

Oderzo, 30 september 2014

 Ing. **Mauro Sordini**  
(Chief Executive Officer)

- EN** - Installation steps →
- IT** - Fasi dell'installazione →
- FR** - Phases de l'installation →
- ES** - Fases de instalación →
- DE** - Hinweise vor der Installation →
- PL** - Fazy montażowe →
- NL** - Aanbevelingen voor de installatie →

EN

IT

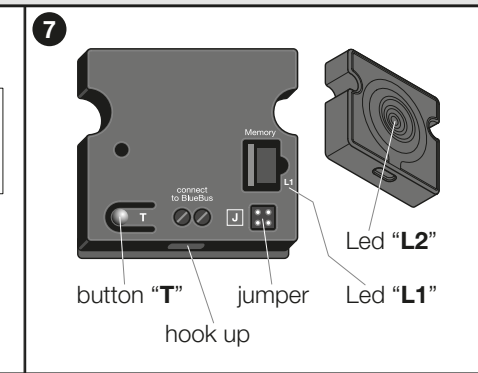
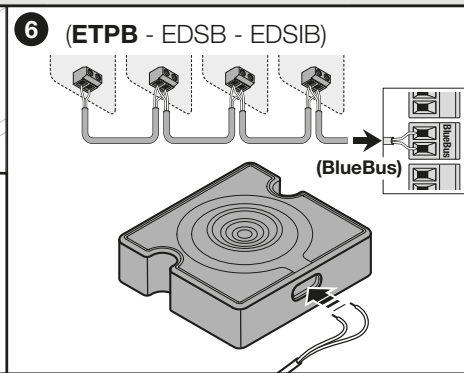
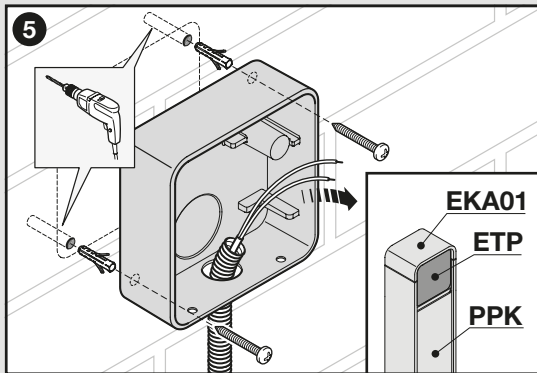
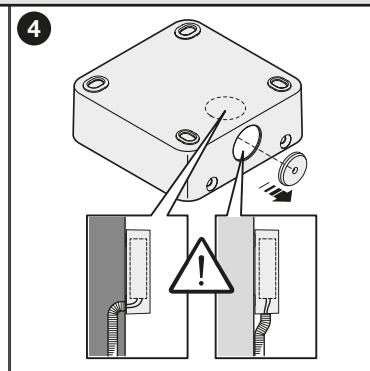
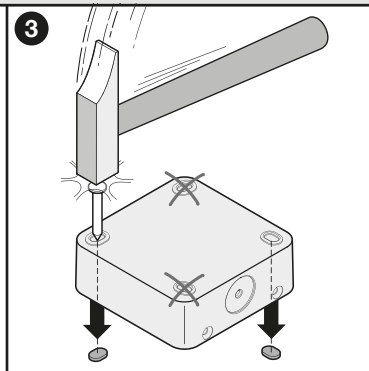
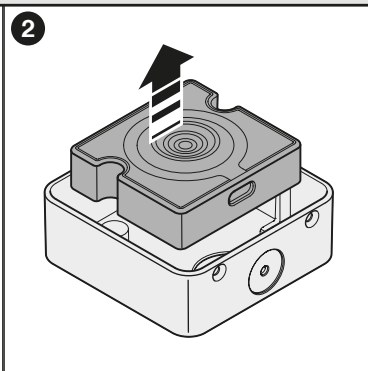
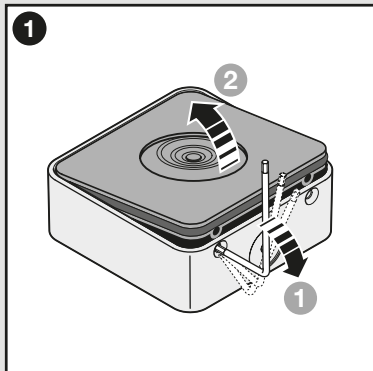
FR

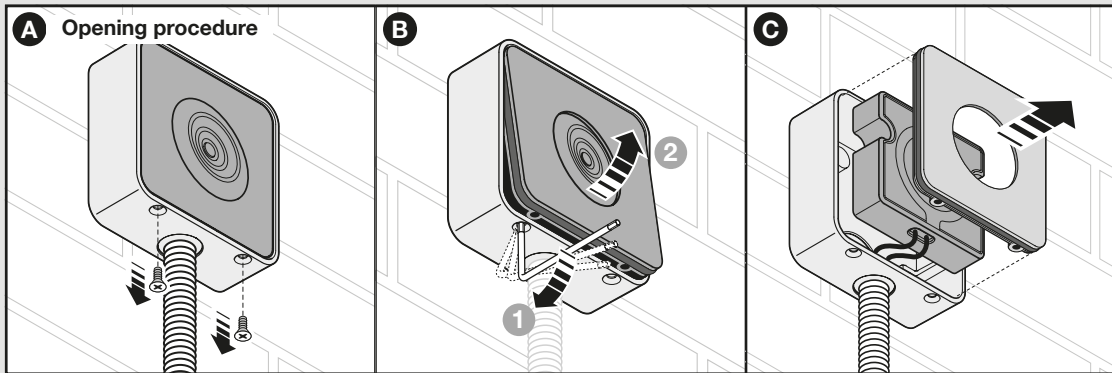
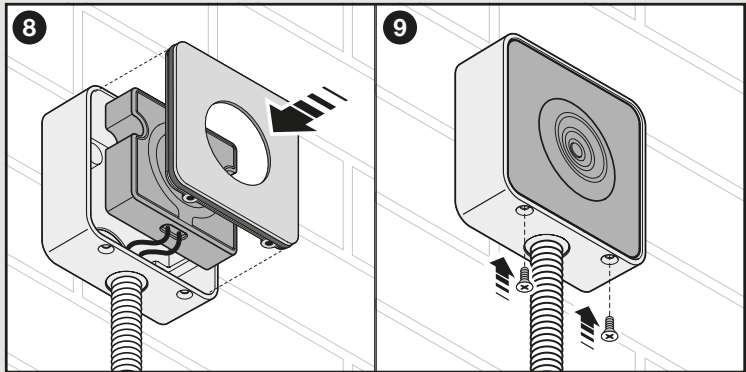
ES

DE

PL

NL











**Nice**

**Nice SpA**  
Oderzo TV Italia  
info@niceforyou.com

[www.niceforyou.com](http://www.niceforyou.com)